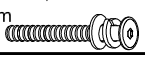
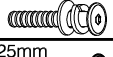
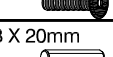
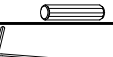



# ASSEMBLY INSTRUCTIONS

MODEL : WM1854B-DC

**IMPORTANT NOTE :**

- \* PLACE ALL WOODEN PARTS ON A CLEAN AND SMOOTH SURFACE SUCH AS A RUG OR CARPET TO AVOID THE PARTS FROM BEING SCRATCHED.
- \* BEFORE YOU BEGIN, KINDLY FOLLOW THE ASSEMBLY INSTRUCTIONS STEP BY STEP.
- \* DO NOT TIGHTEN ALL SCREWS UNTIL THE CHAIR IS FULLY SET-UP.

HARDWARE LIST			PART LIST		
A	JCBC M6 x 60mm + S/W M6 + F/W M6 x 13mm 	4PCS	1	SIDE FRAME RIGHT	1PC
B	JCBC M6 x 30mm + S/W M6 + F/W M6 x 13mm 	4PCS	2	SIDE FRAME LEFT	1PC
C	JCBC SCREW M6 x 25mm 	4PCS	3	FRONT & BACK STRETCHER	1PC
D	WOOD DOWEL M8 X 20mm 	4PCS	4	BACK REST	1PC
E	ALLEN KEY M4 (Ball Shape) 	1PC	5	CUSHION SEAT	1PC

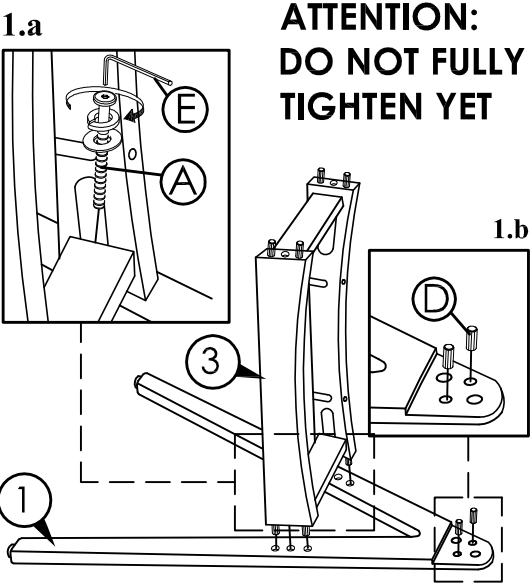
**CAUTIONS :**

(1) **DO NOT FULLY-TIGHTEN THE NUT OR NUT BOLTS INITIALLY UNTIL ALL NUTS OR BOLT IS READY ASSEMBLED.**

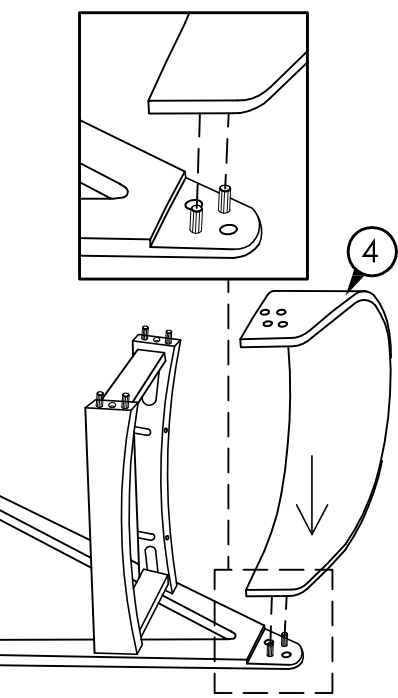
(TO AVOID CAUSING DAMAGES TO THE THREAD, DO NOT OVER-TIGHTEN THE NUTS OR BOLTS.)

(2) **KEEP ALL HARDWARE PART OUT OF REACH OF CHILDREN.**

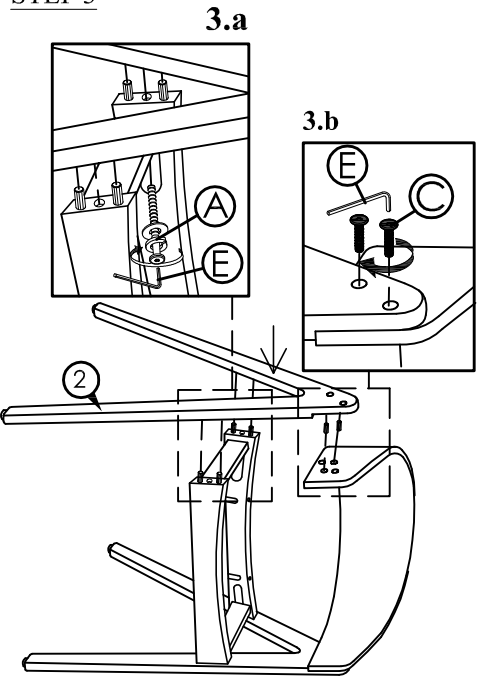
## STEP 1



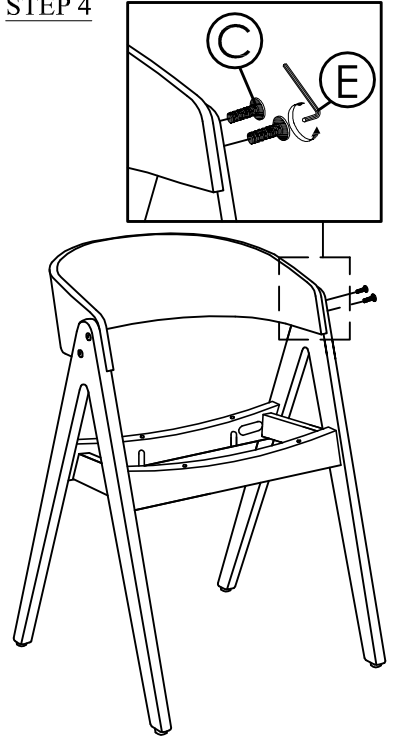
## STEP 2



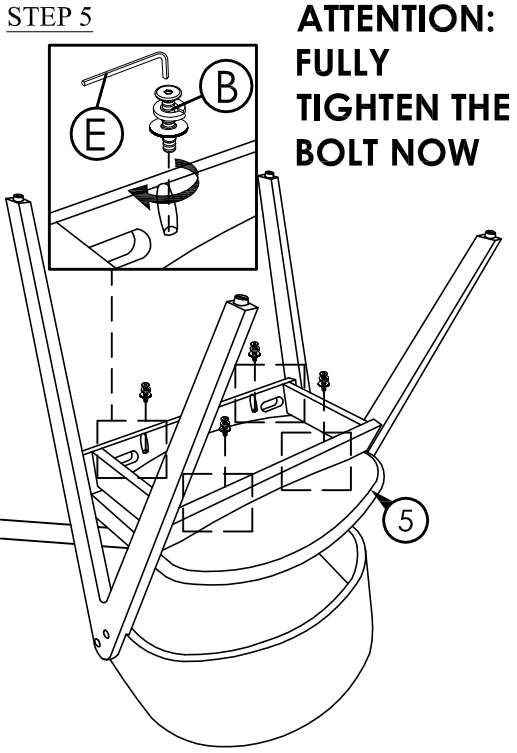
## STEP 3



## STEP 4



## STEP 5



## STEP 6

