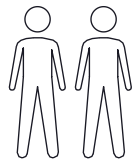
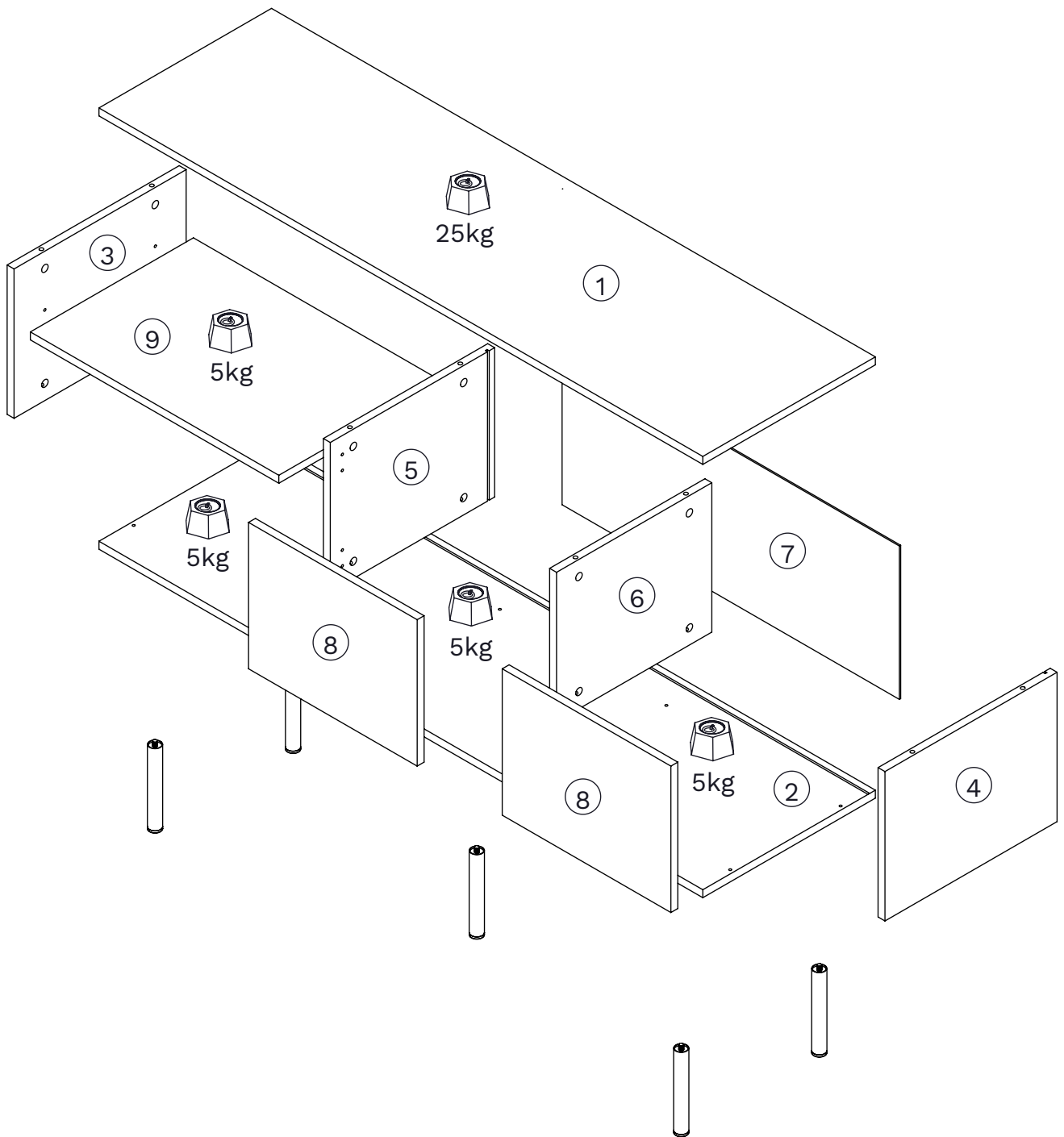



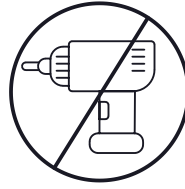
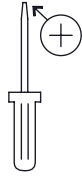
1:00



x 2



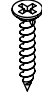
| ○ | x | mm |  |
|---|---|-----------------|---|
| 1 | 1 | 1400 x 400 x 16 | 1 |
| 2 | 1 | 1400 x 400 x 16 | 1 |
| 3 | 1 | 300 x 399 x 16 | 1 |
| 4 | 1 | 300 x 399 x 16 | 1 |
| 5 | 1 | 300 x 381 x 16 | 1 |
| 6 | 1 | 300 x 360 x 16 | 1 |
| 7 | 1 | 782 x 308 x 3 | 1 |
| 8 | 2 | 294 x 391 x 16 | 1 |
| 9 | 1 | 576 x 378 x 16 | 1 |



AA x16



BA x16



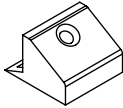
Ø3x20mm
GB x4



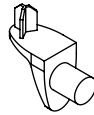
Ø4x16mm
IA x15



EDC x4



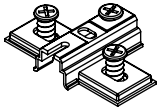
OB x4



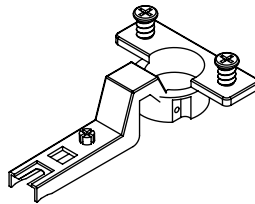
DDB x4



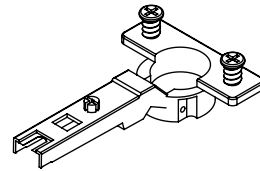
Ø3x12mm
GA x4



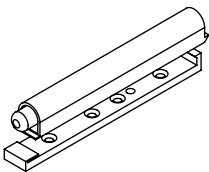
KL x4



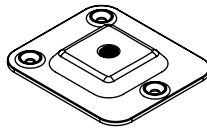
KC x2



KA x2



OY x2


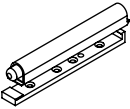



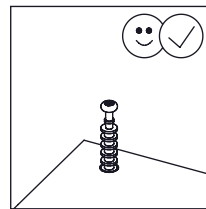
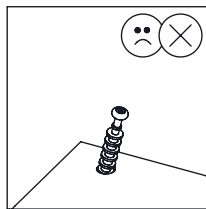
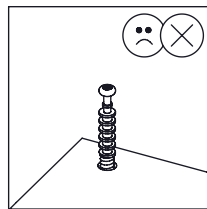
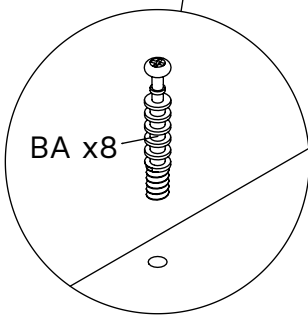
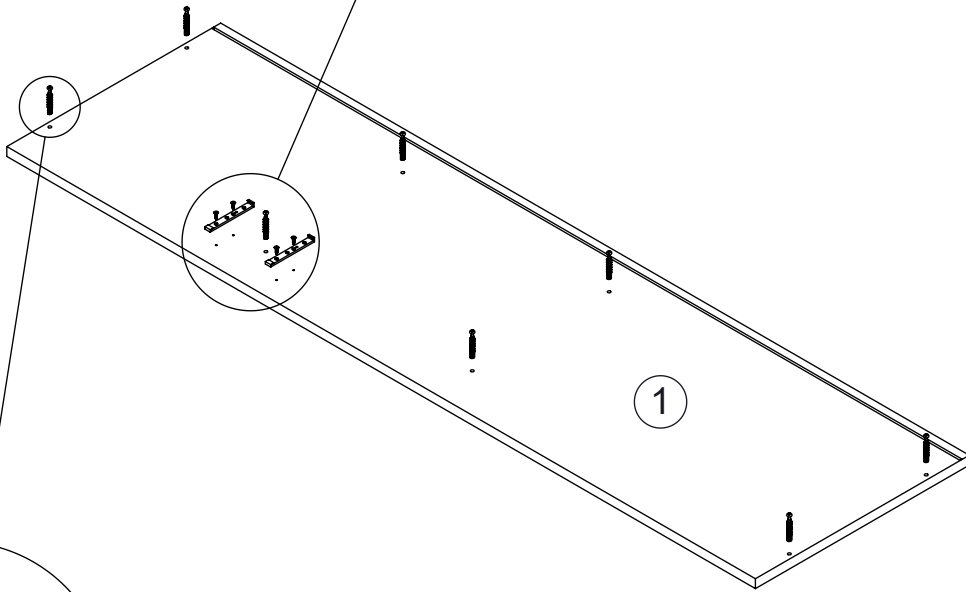
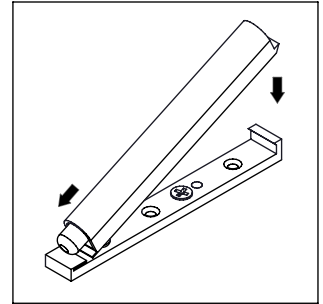
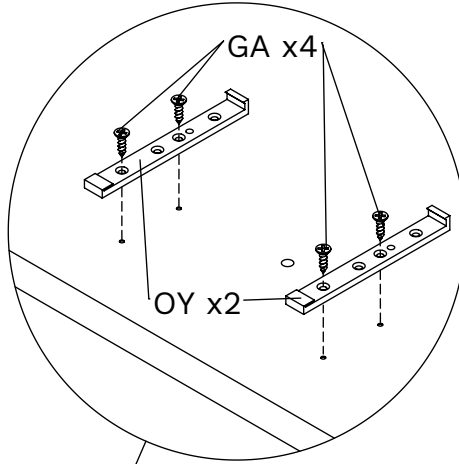
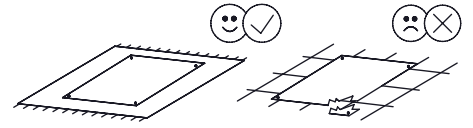
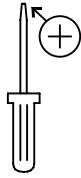
SF x5




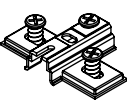
RTA x5

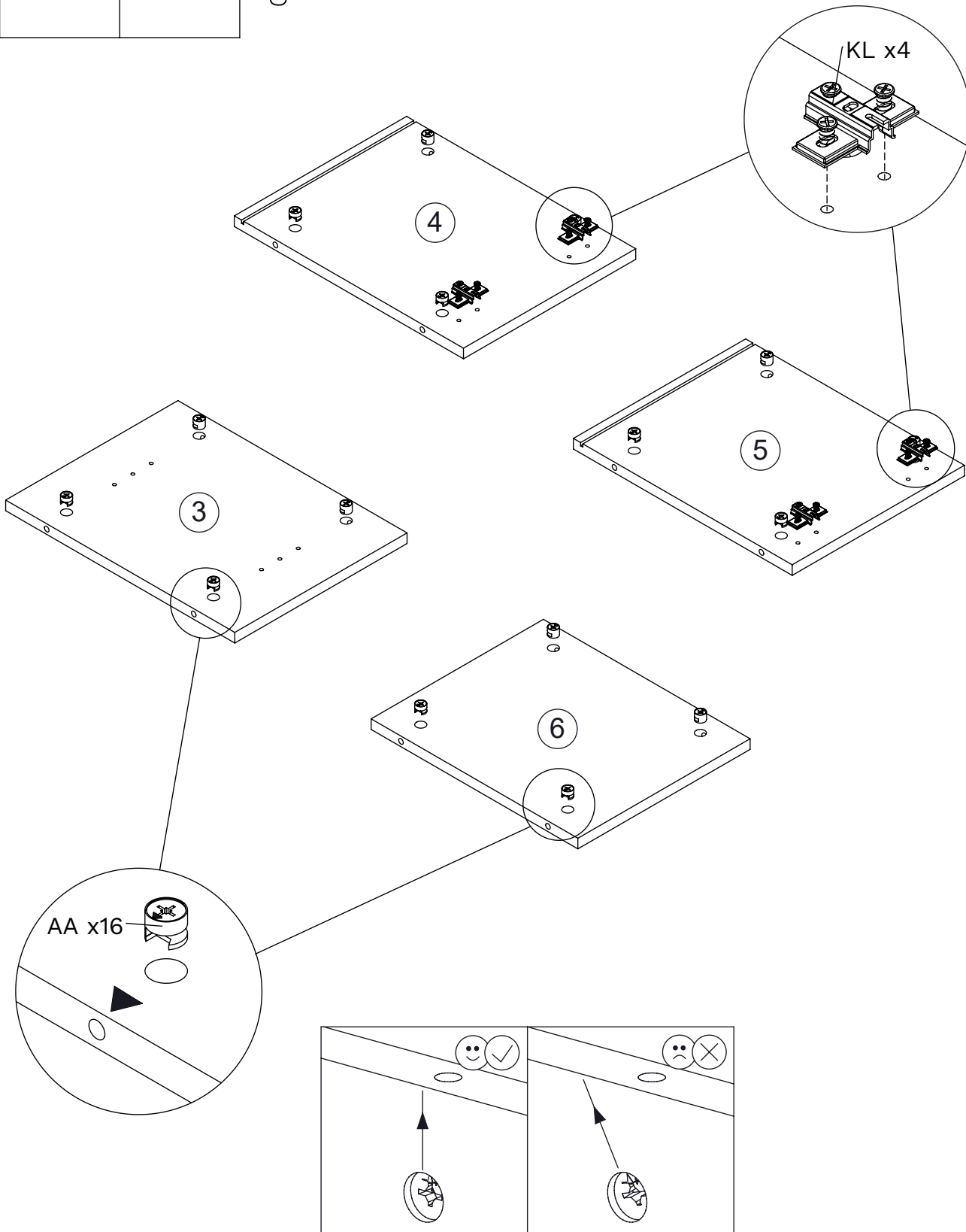
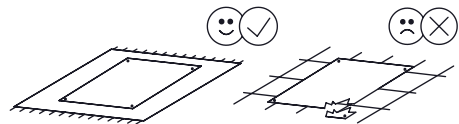
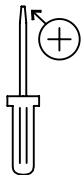
1

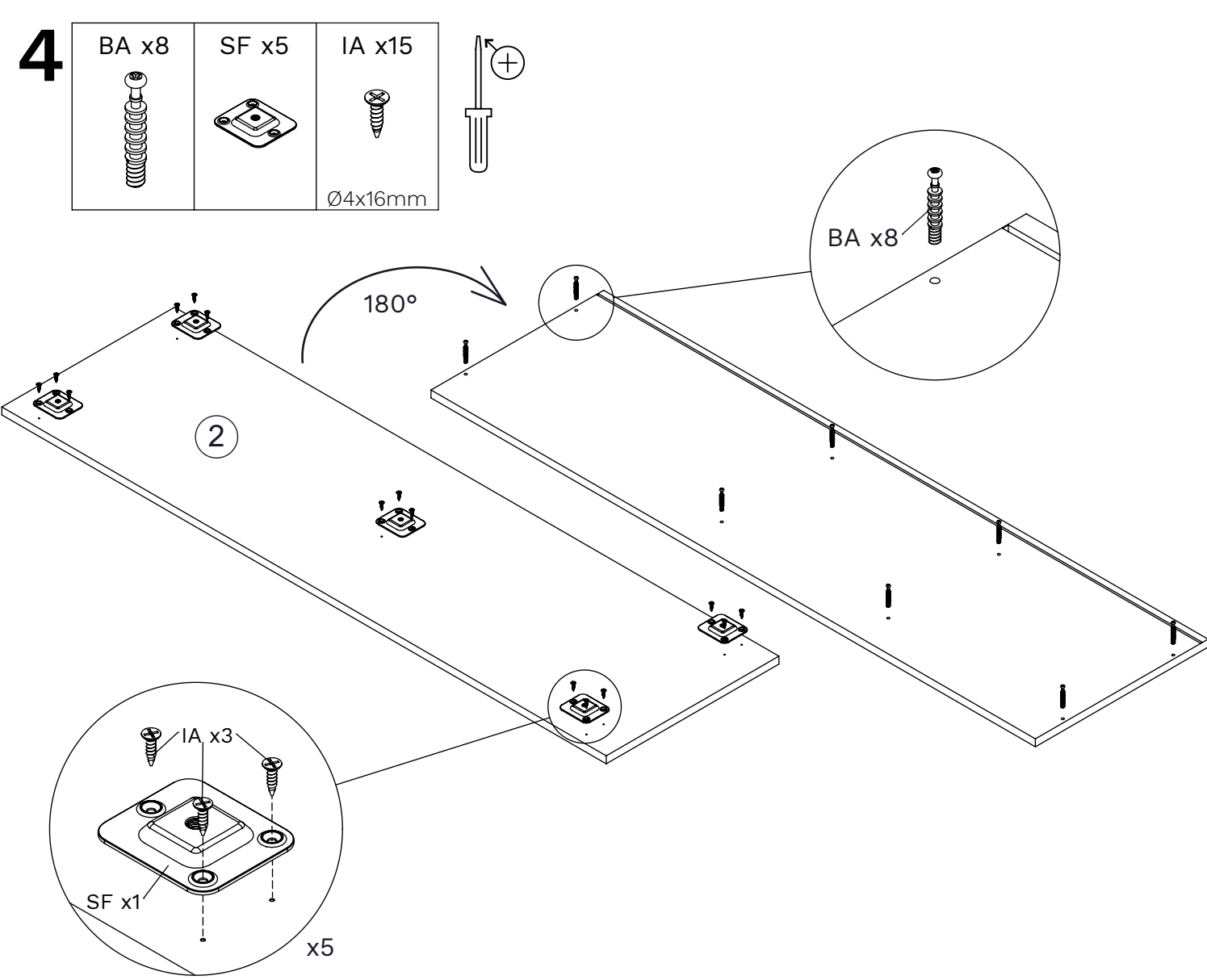
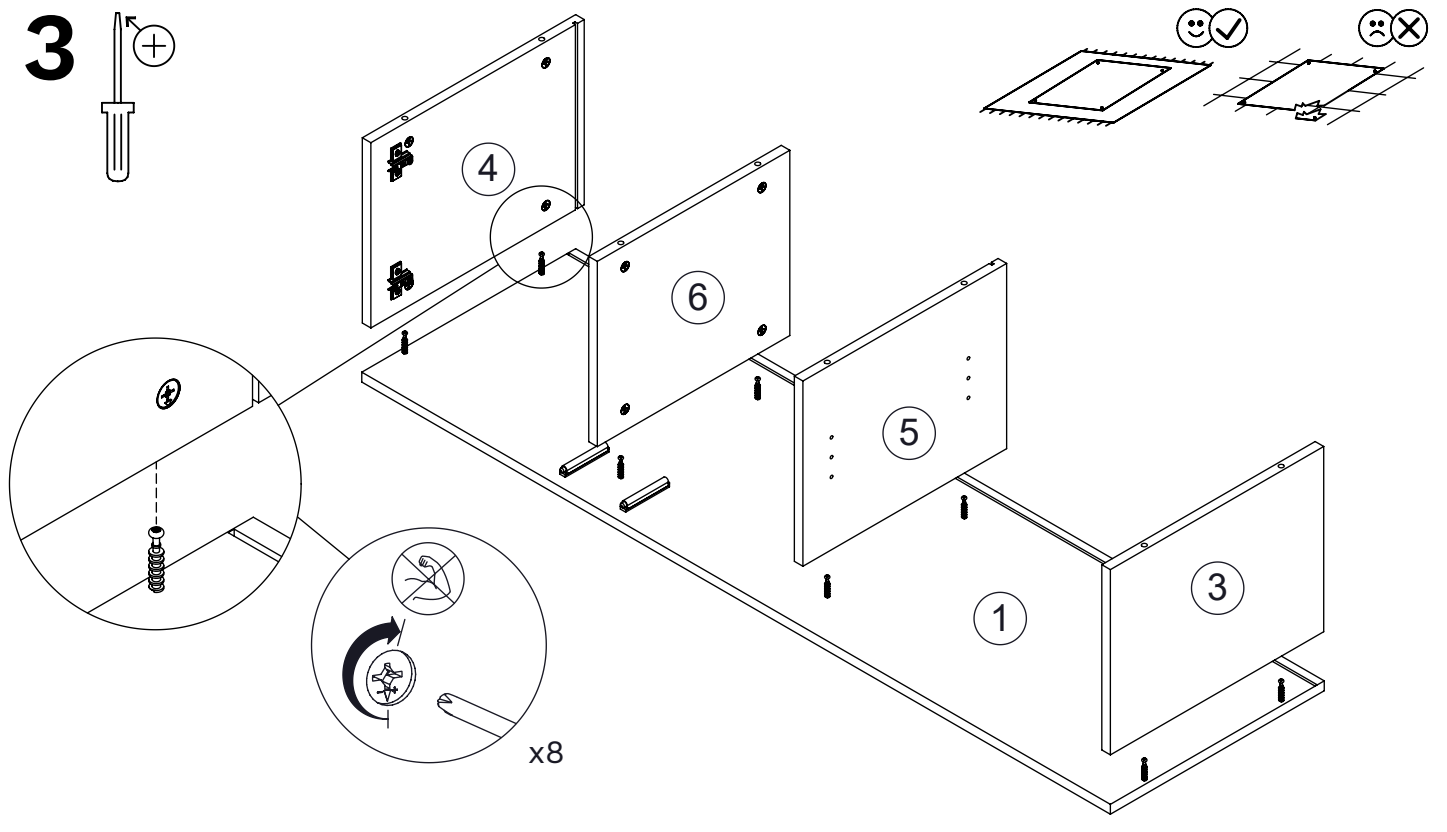
| | | |
|--|--|---|
| BA x8  | OY x2  | GA x4  Ø3x12mm |
|--|--|---|



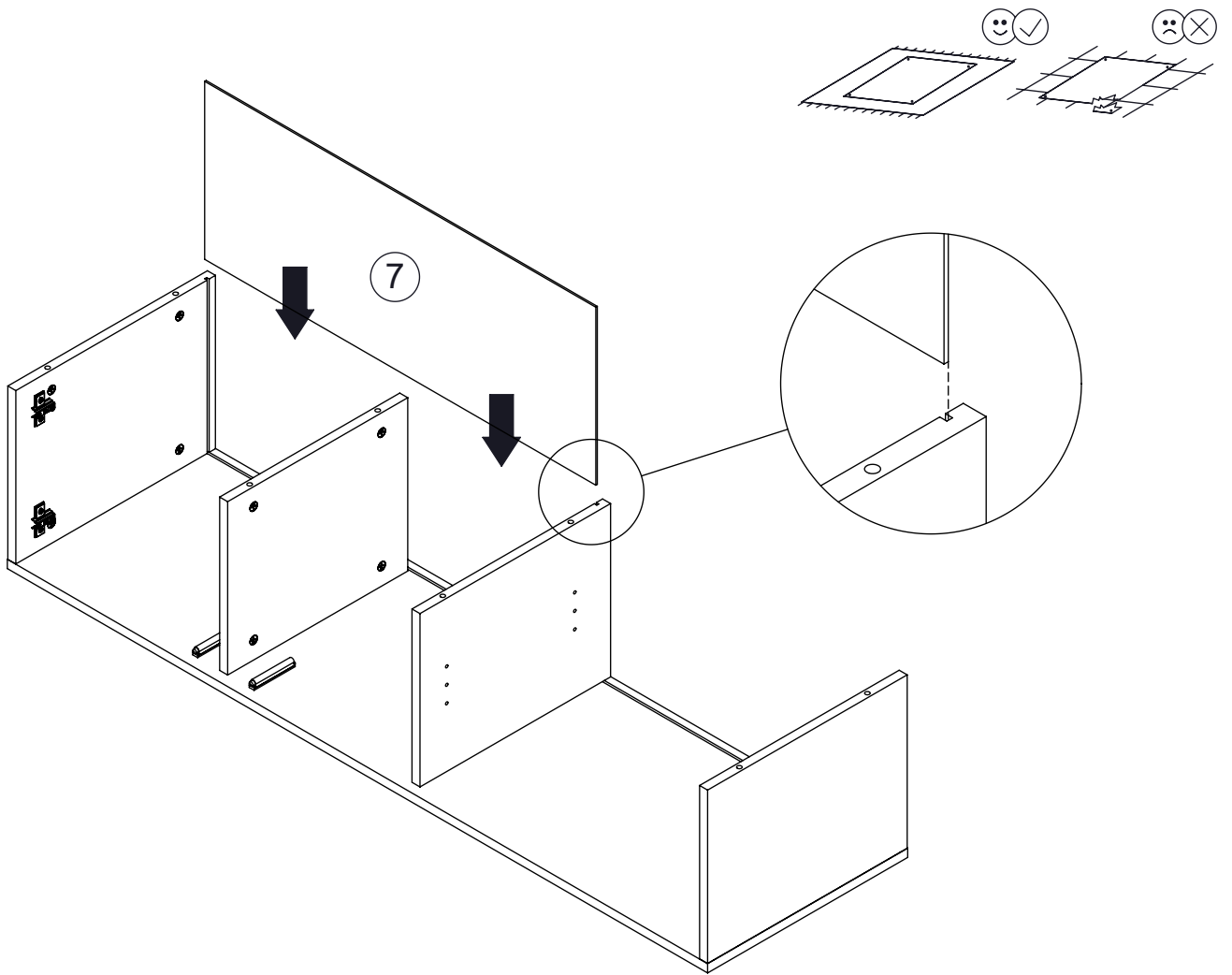
2

| | |
|---|---|
| AA x16 | KL x4 |
|  |  |

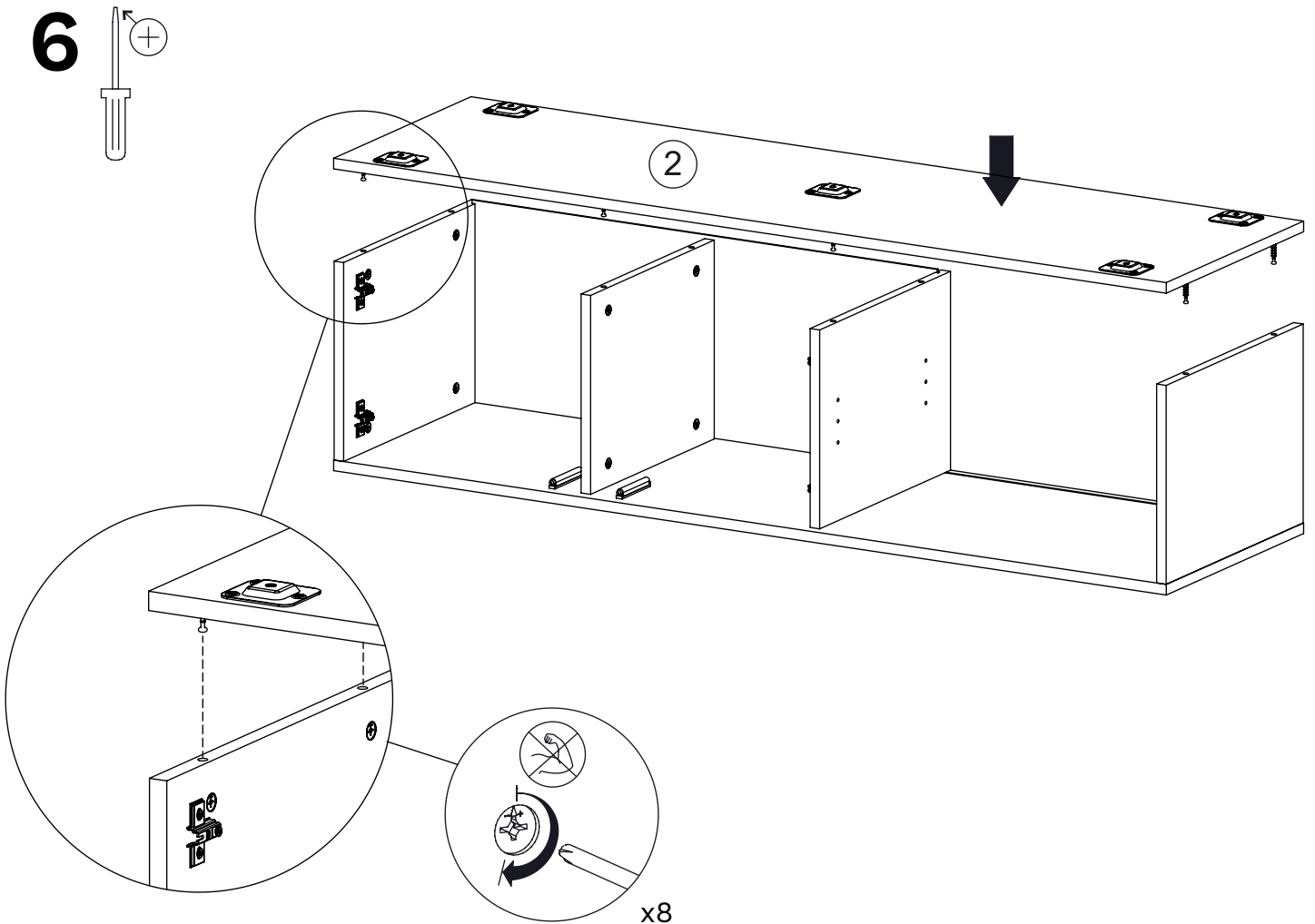




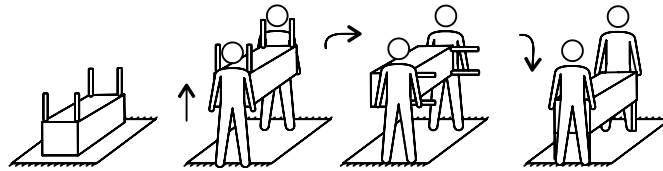
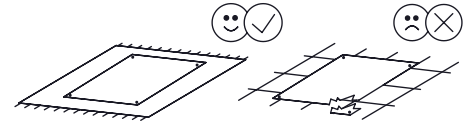
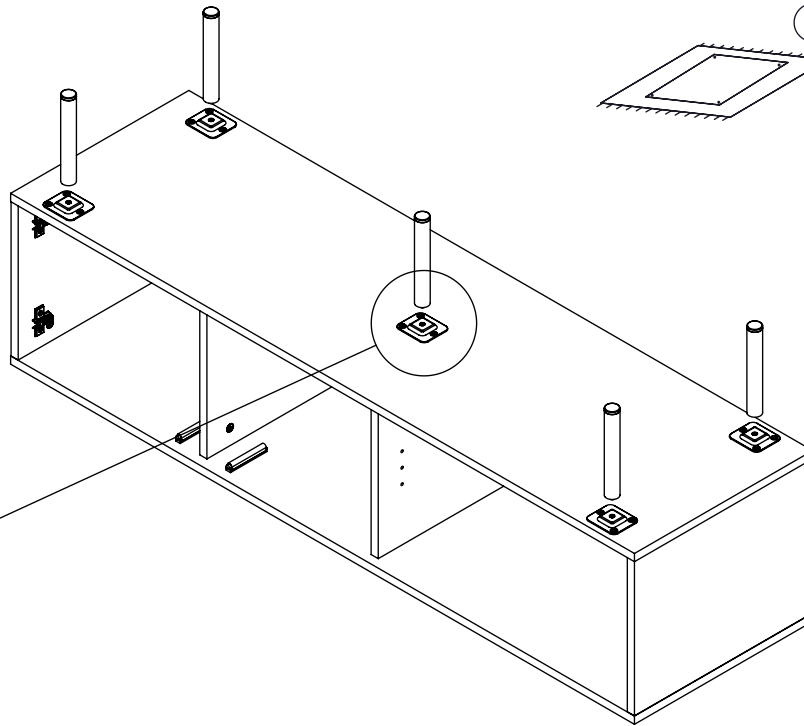
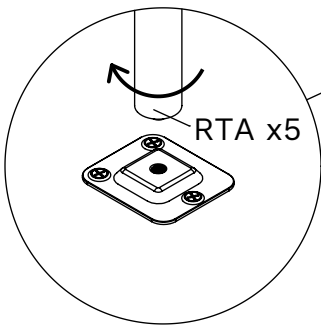
5



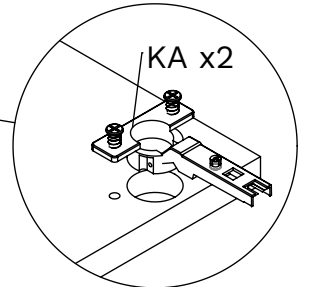
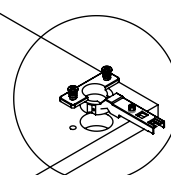
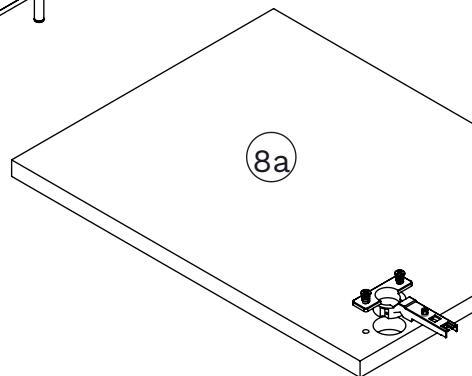
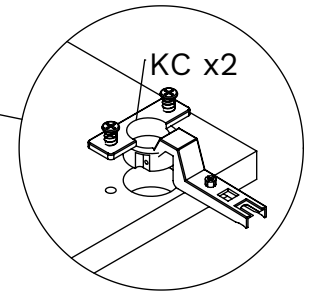
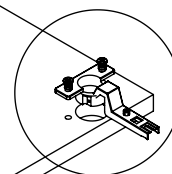
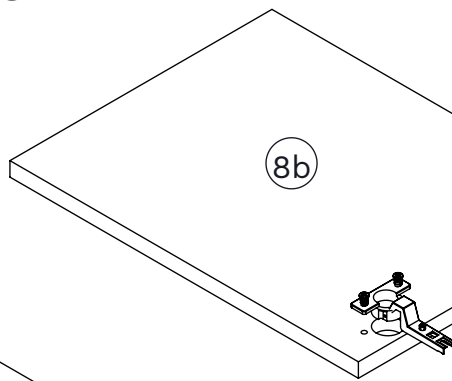
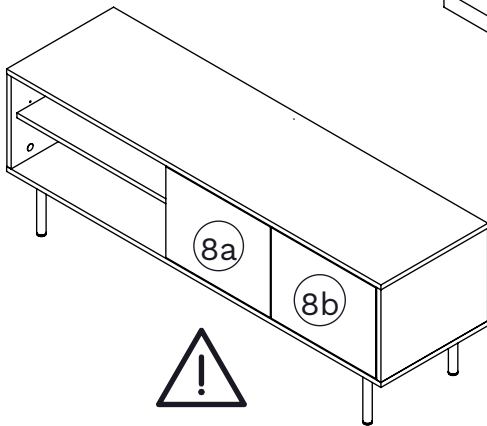
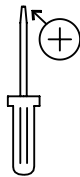
6



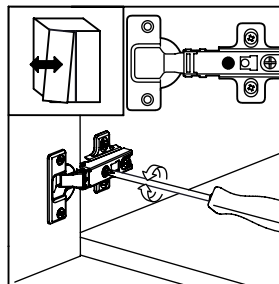
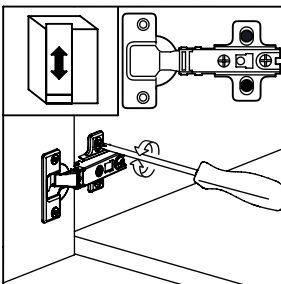
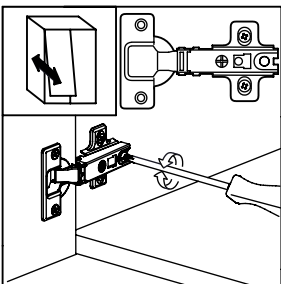
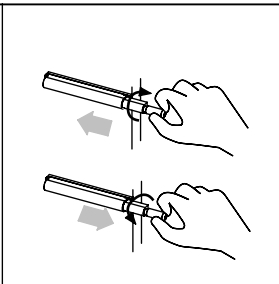
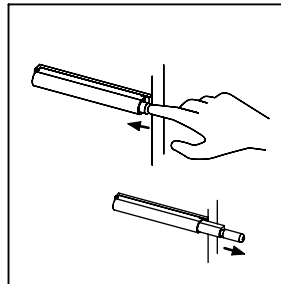
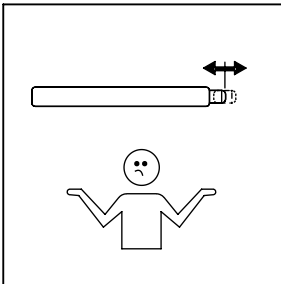
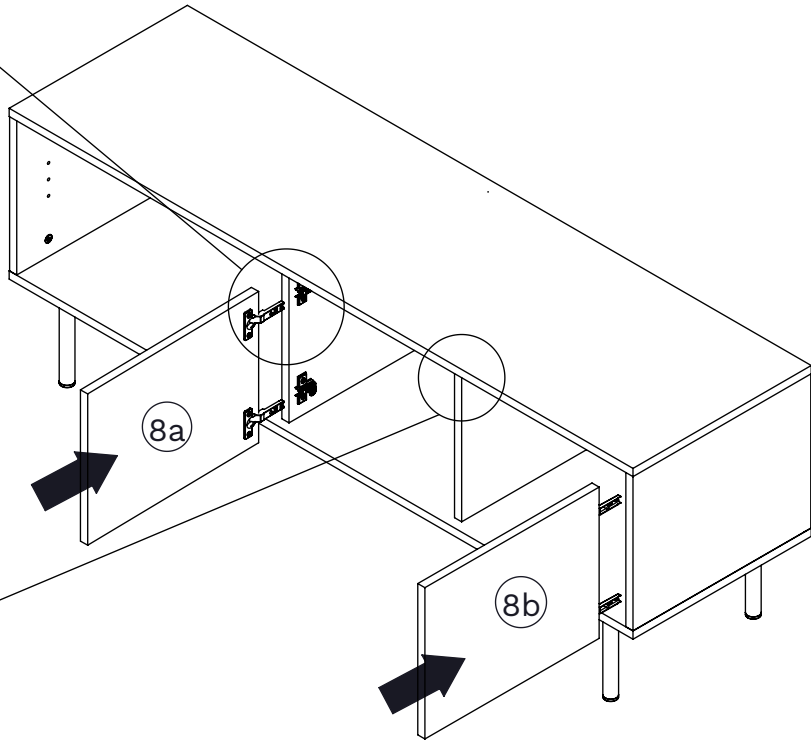
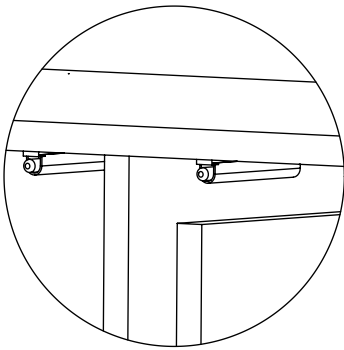
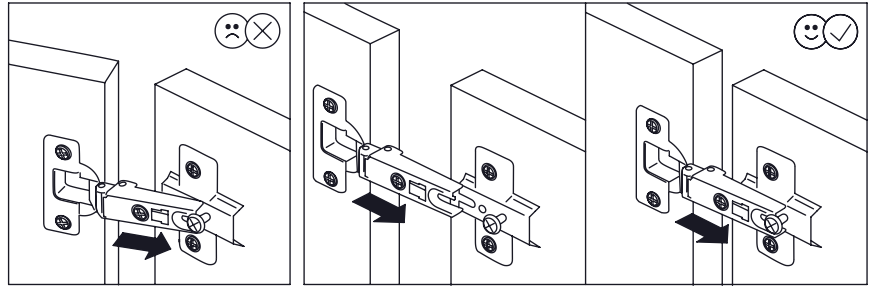
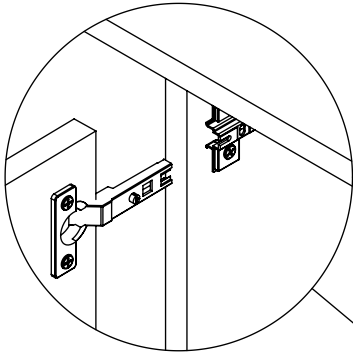
7 RTA x5



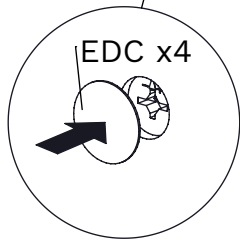
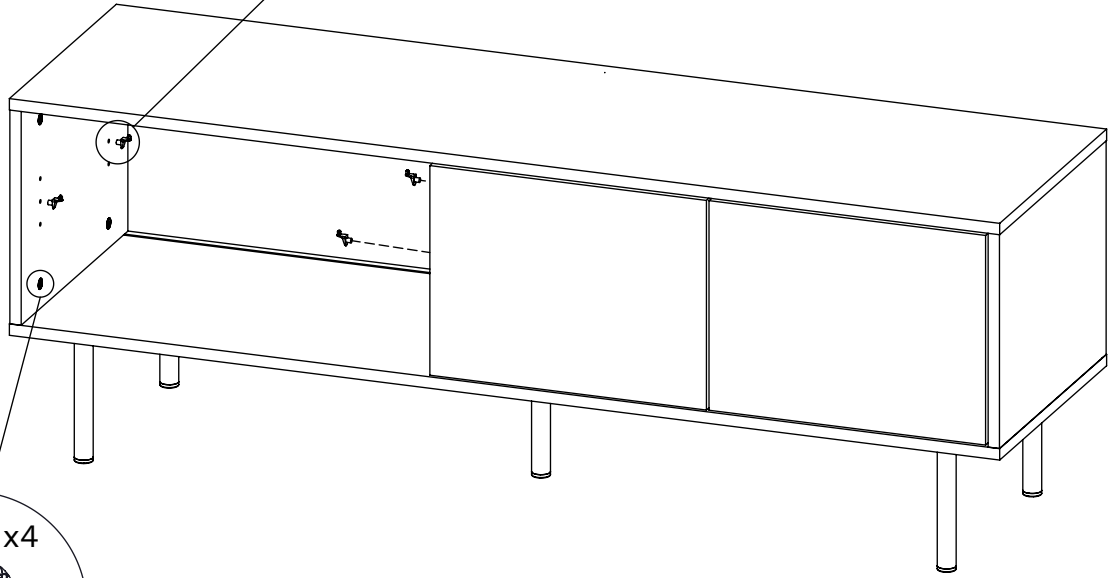
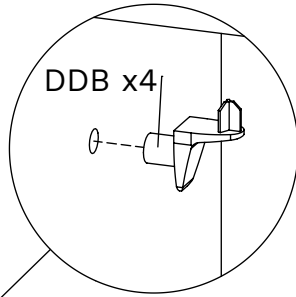
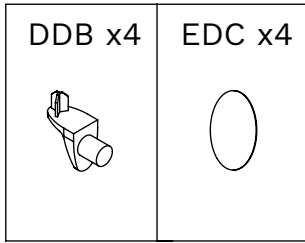
8 KC x2 KA x2



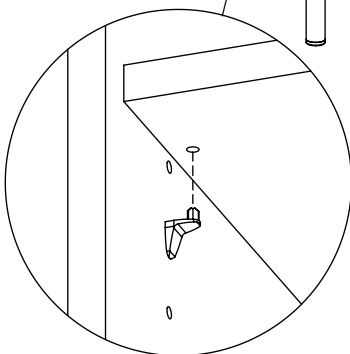
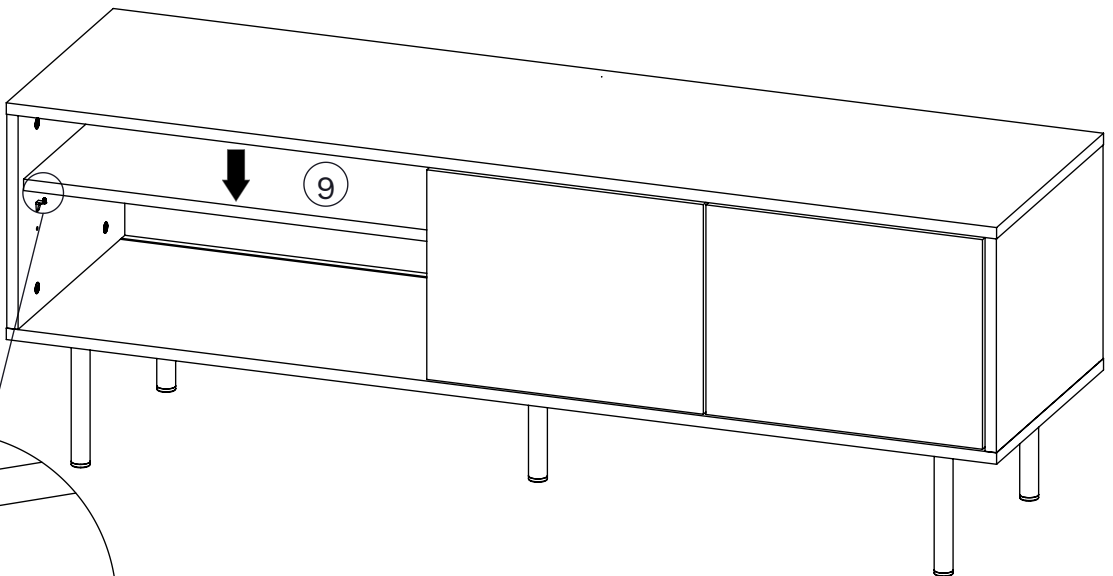
9



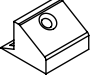

10



11



12

| | |
|---|---|
| OB x4 | GB x4 |
|  |  |
| | Ø3x20mm |

