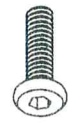


ASSEMBLY INSTRUCTION

A



M6x45 x4

B



M6x16 x4

C



x8

D



x1

1



x1

2



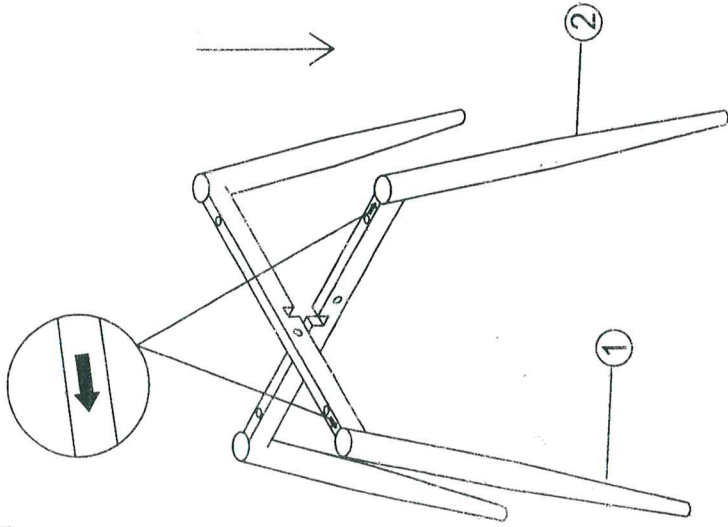
x1

3

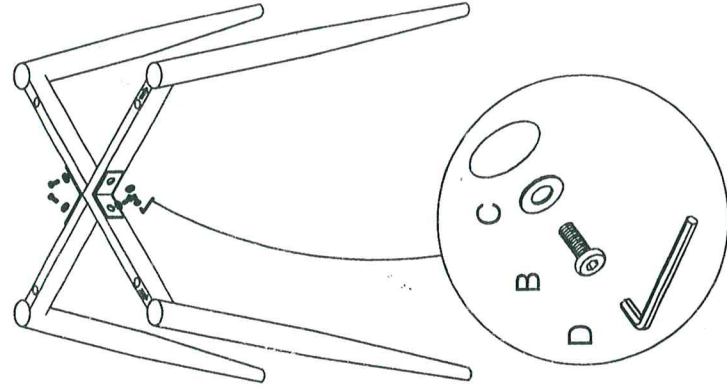
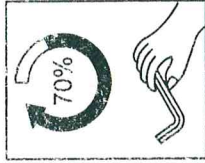


x2

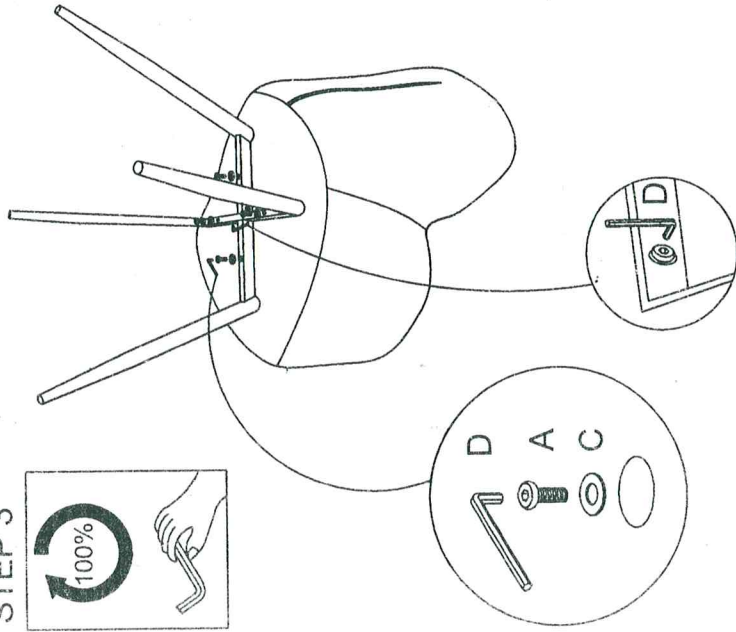
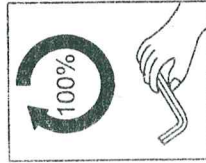
STEP 1



STEP 2



STEP 3



STEP 4

