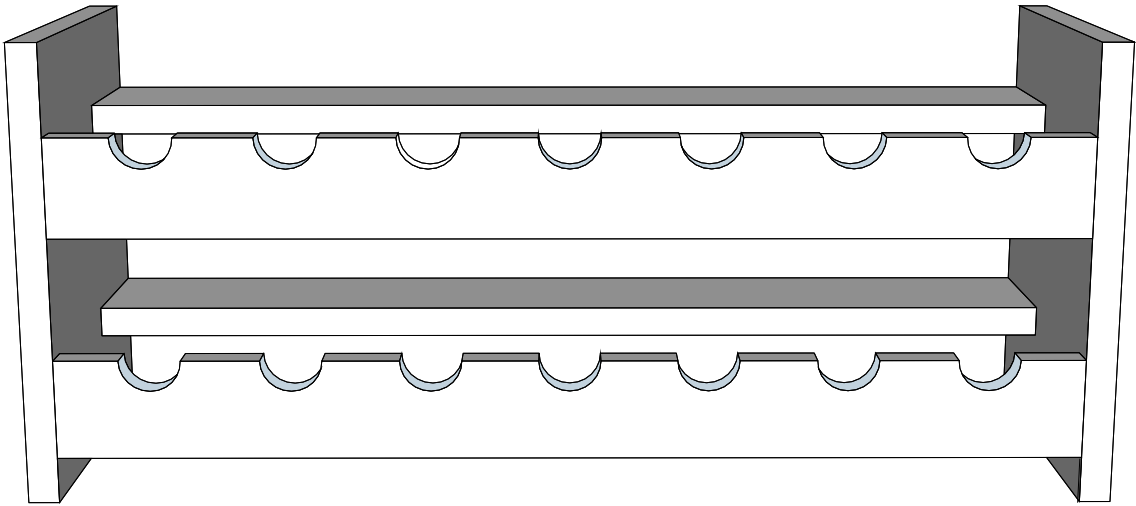
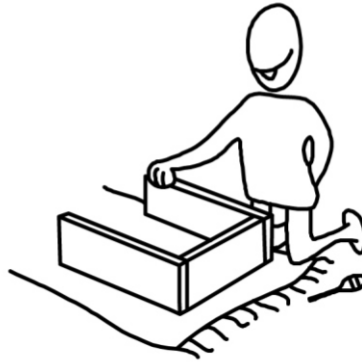
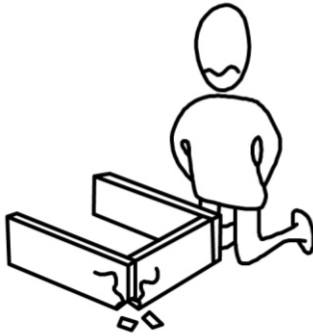
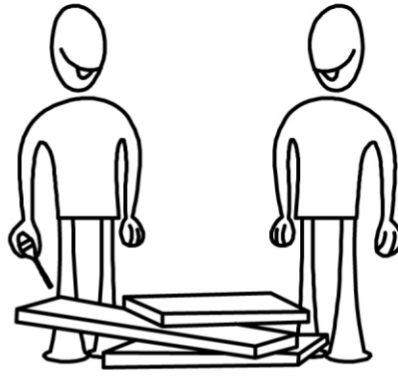
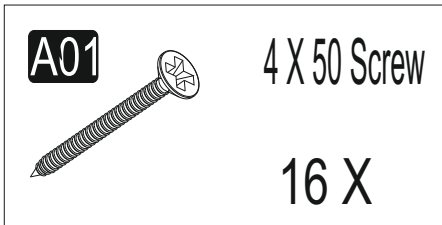


WINE RACK

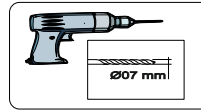




ACCESSORY



The necessary tools (not included)

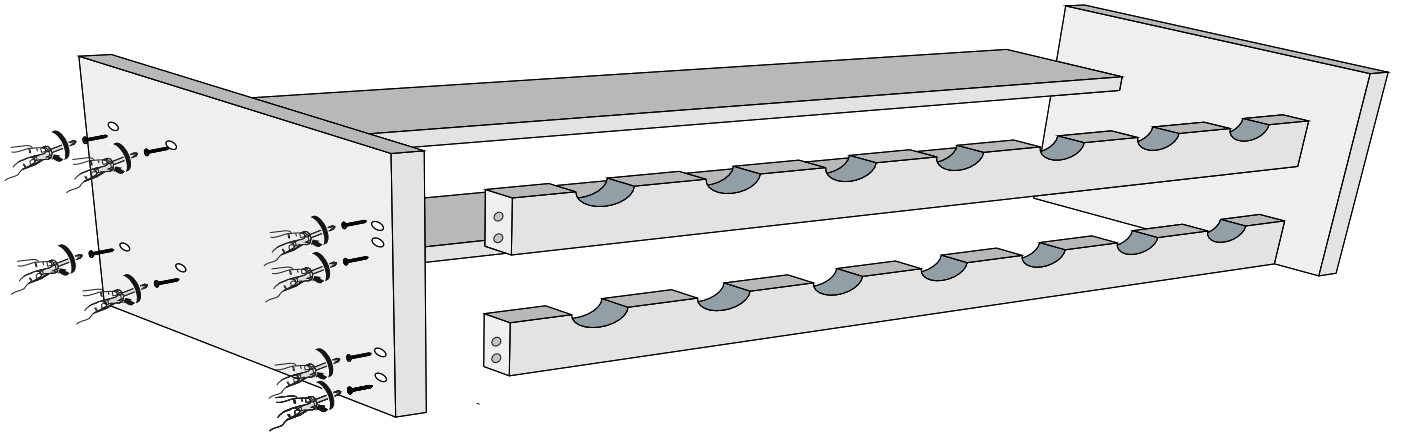


This unit should be assembled by two persons.

NO	WITDH	LENGTH	THICKNE	PCS
1	250	300	18	2
2	665	60	18	2
3	665	100	18	2

ASSEMBLY MANUAL

Step 1



NOTE : Use 4x50 Screws

Step 2

