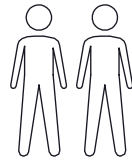
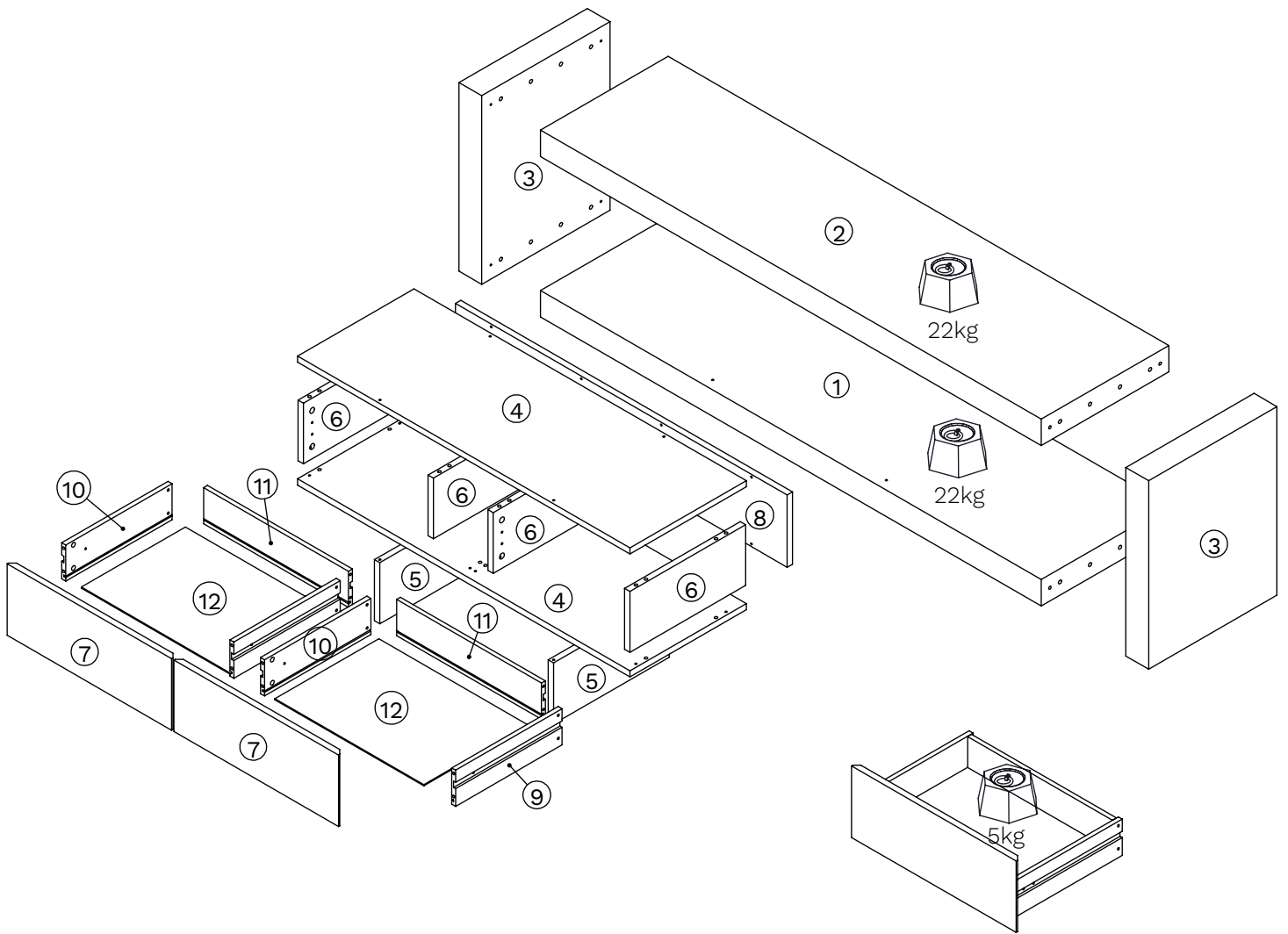



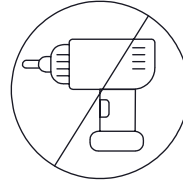
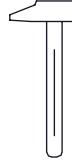
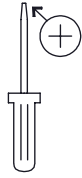
1 : 00



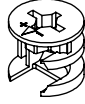
x 2



○	x	mm	
1	1	1600 x 408 x 73	1
2	1	1600 x 408 x 73	1
3	2	522 x 408 x 73	1
4	2	1062 x 372 x 16	2
5	2	370 x 169 x 16	2
6	4	370 x 168 x 16	2
7	2	526 x 198 x 16	2
8	1	1060 x 200 x 16	2
9	2	340 x 100 x 12,5	1
10	2	340 x 100 x 12,5	1
11	2	463 x 100 x 12,5	2
12	2	476 x 332 x 3	2



Ø7 x 41mm  
BAA x 32



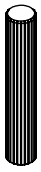
AAA x 32



Ø10 x 80mm  
DAG x 16



Ø8 x 35mm  
DAB x 20



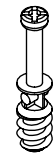
Ø6 x 35mm  
DAE x 8



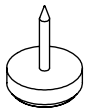
Ø5 x 25mm  
DAF x 12



AAC x 8



Ø7 x 32mm  
BAC x 8



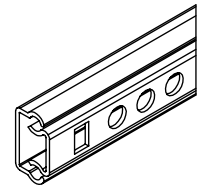
RKB x 8



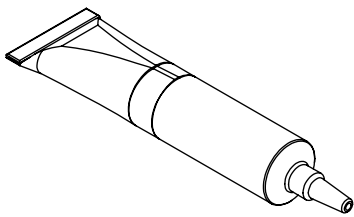
Ø6 x 10,5mm  
ISN x 8



M4 x 8mm  
ISO x 4



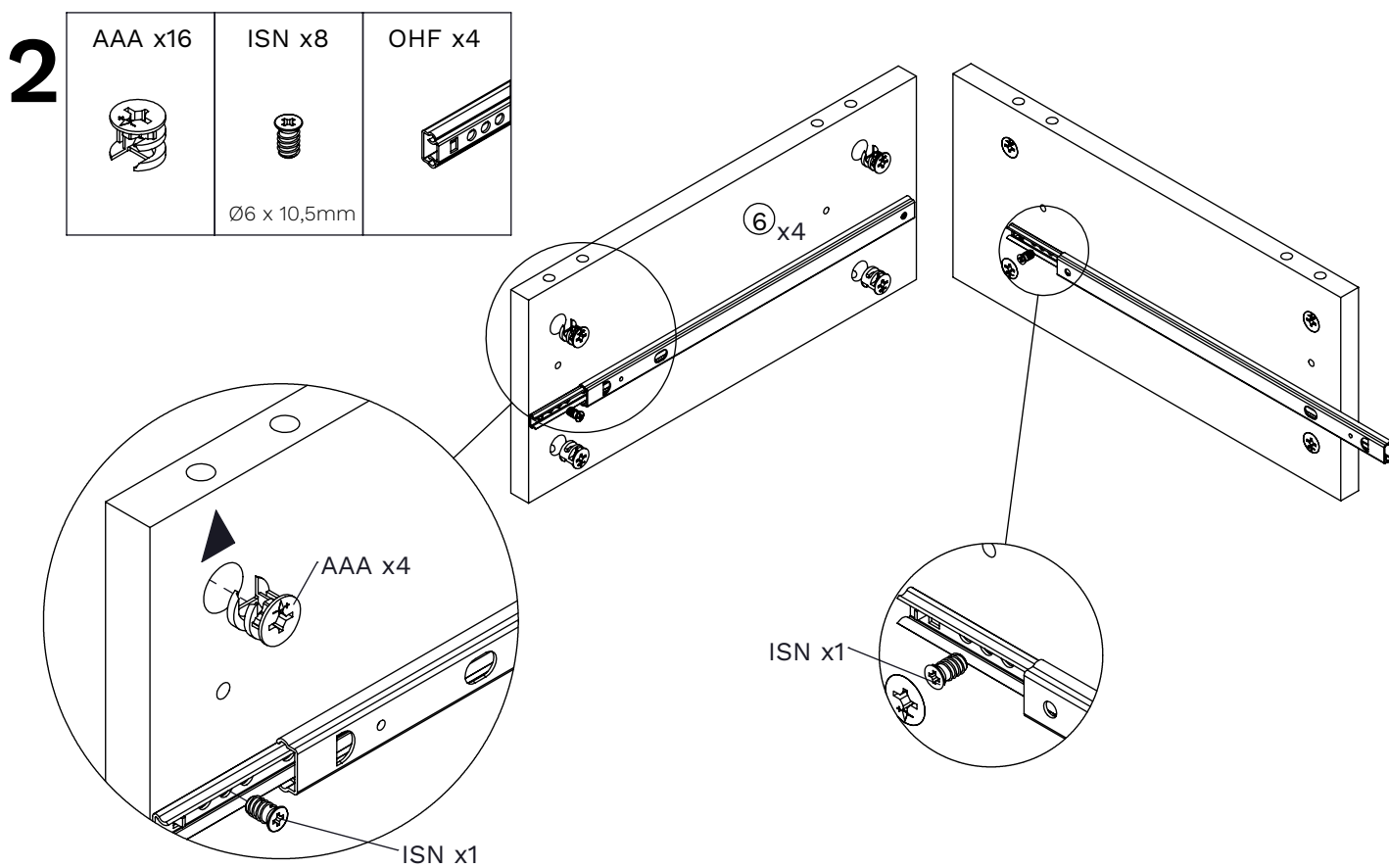
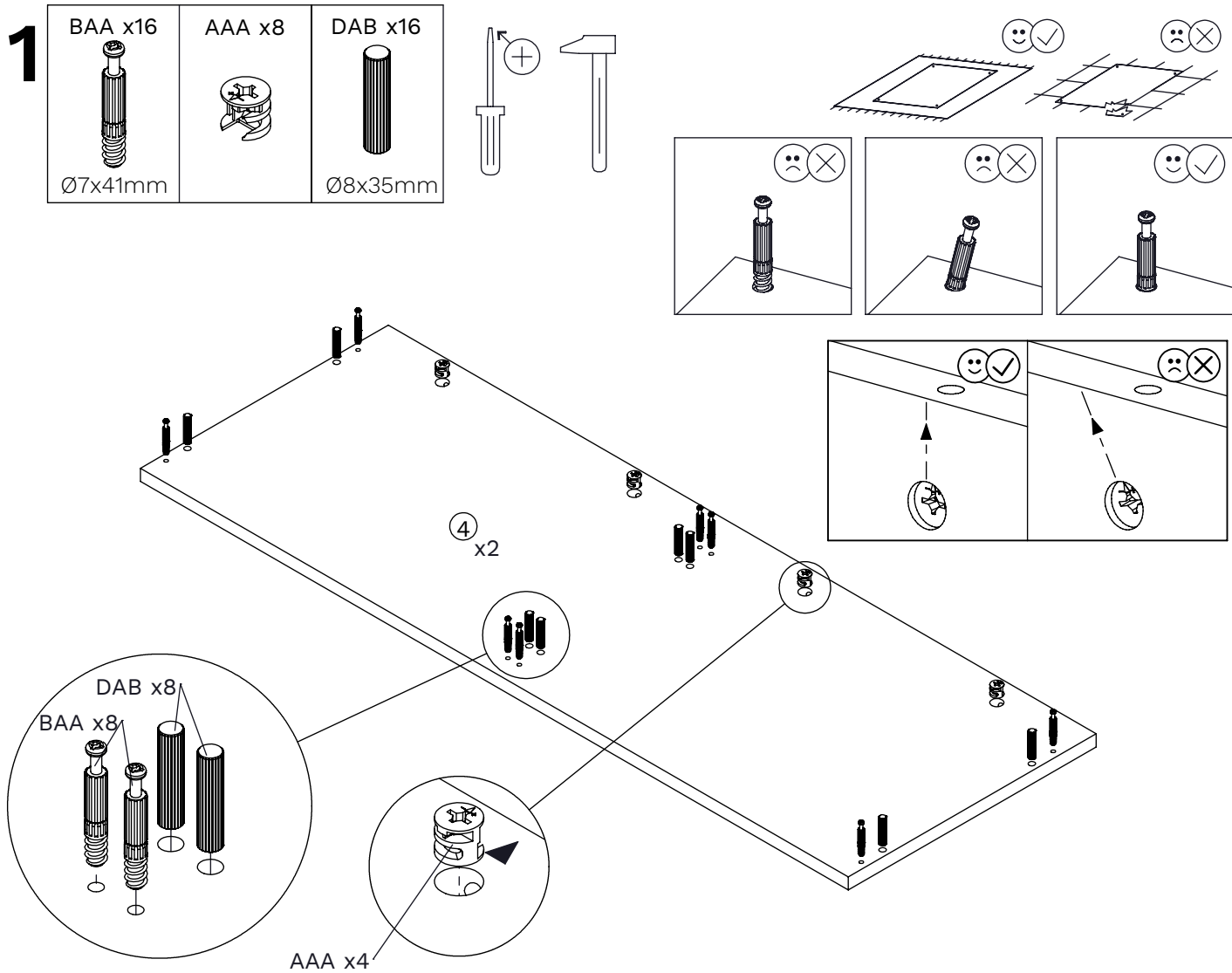
OHF x 4



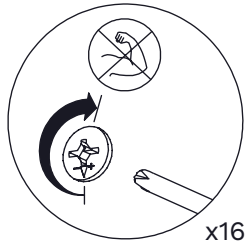
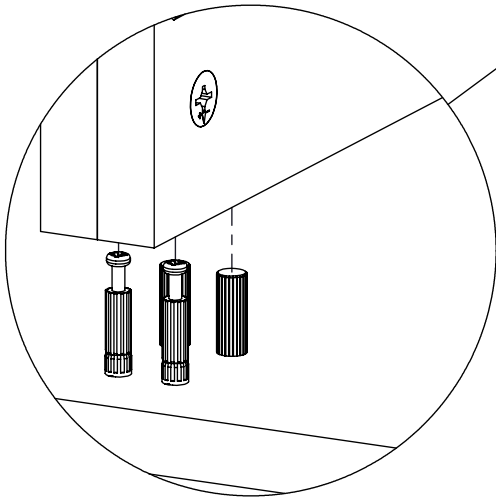
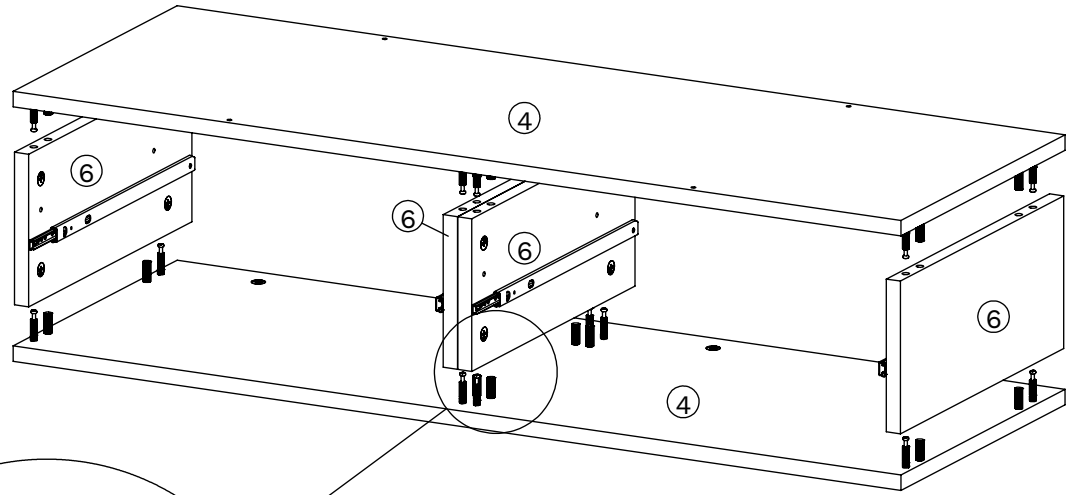
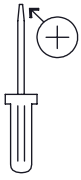
NM x 1



Ø20 x 1mm  
EDO x 4

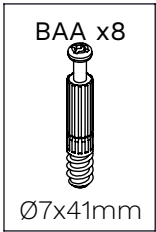


3



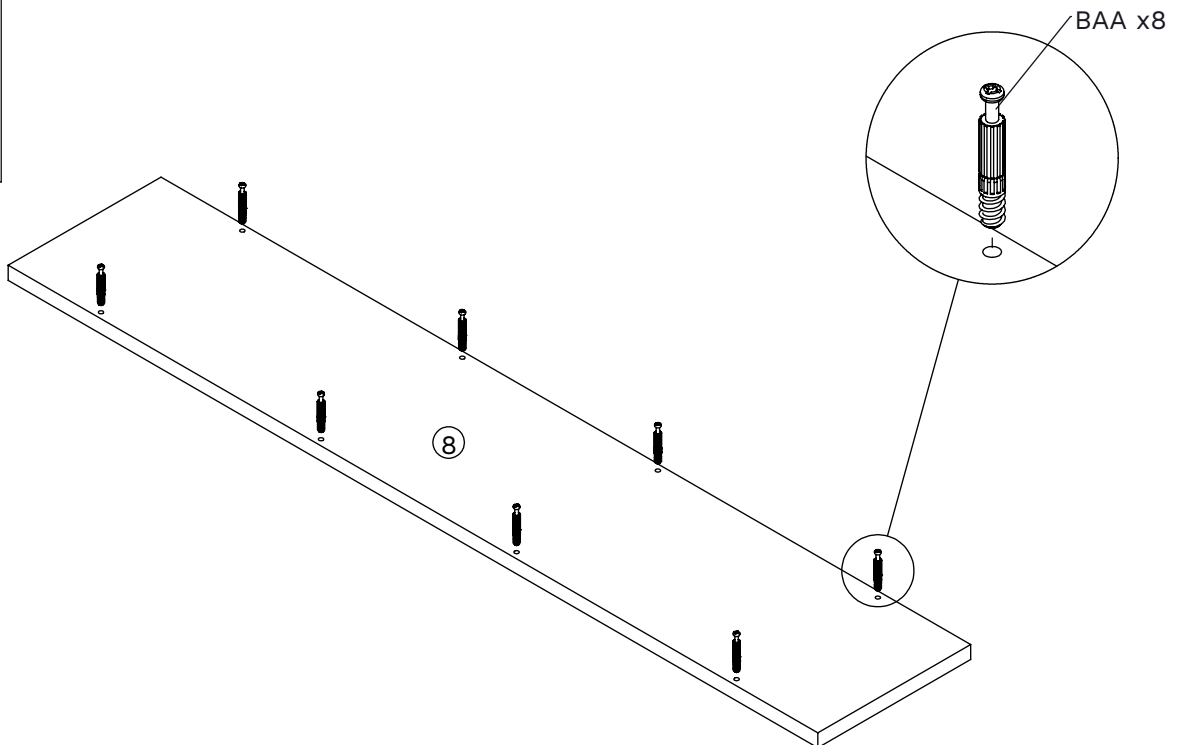
x16

4



BAA x8

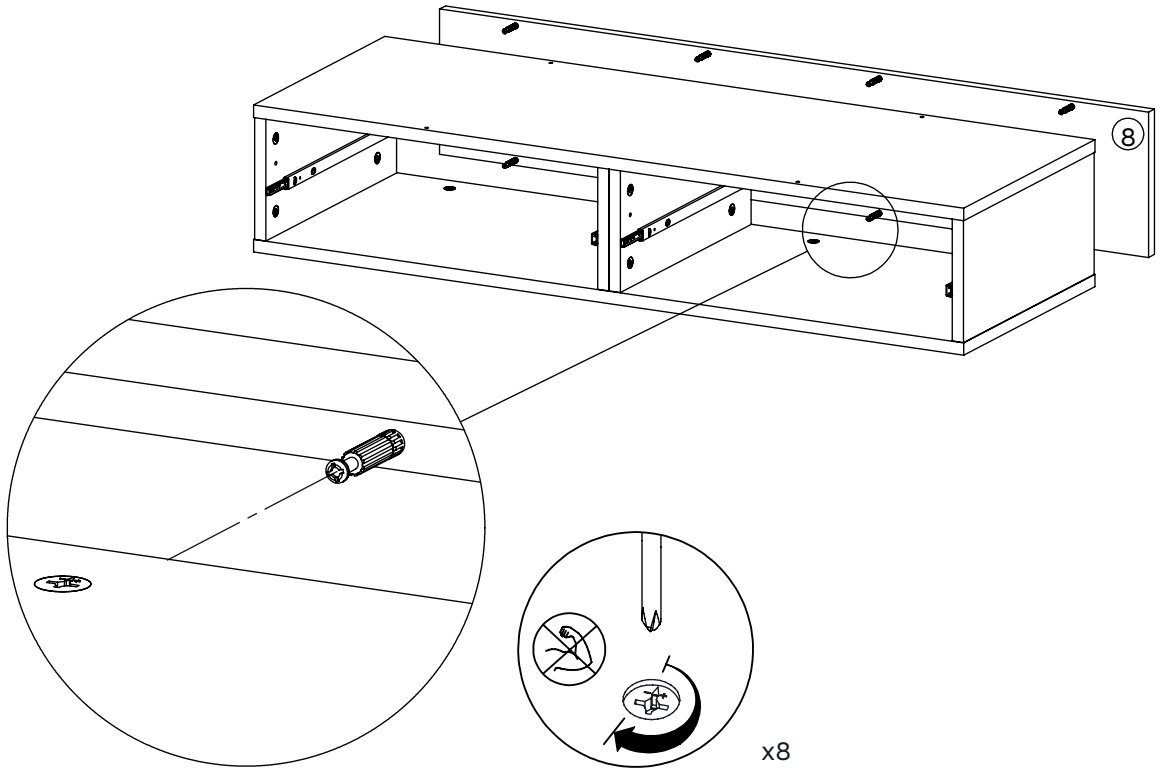
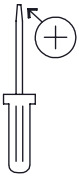
Ø7x41mm



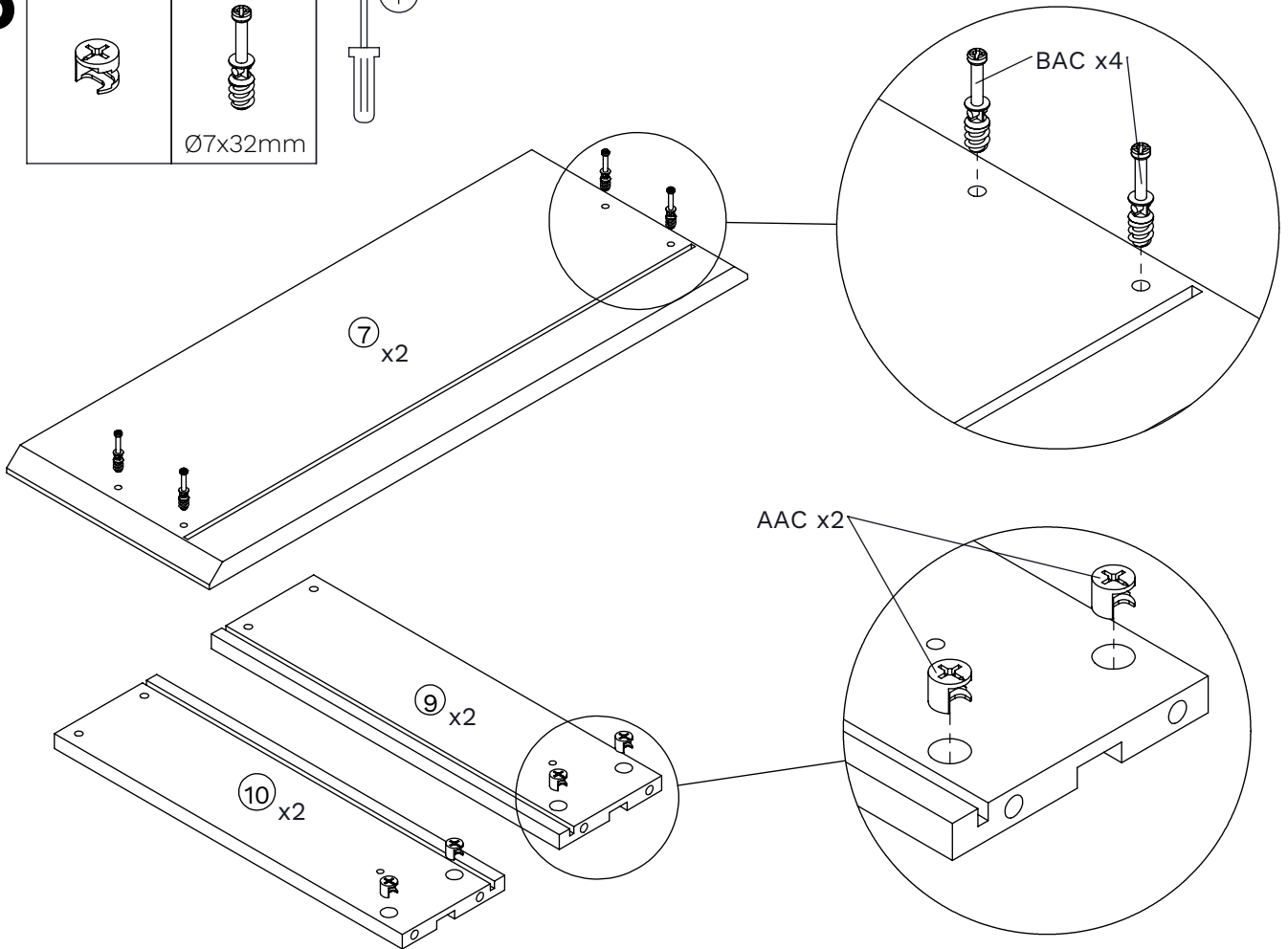
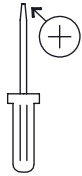
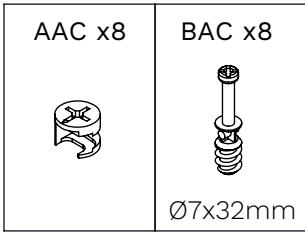
BAA x8

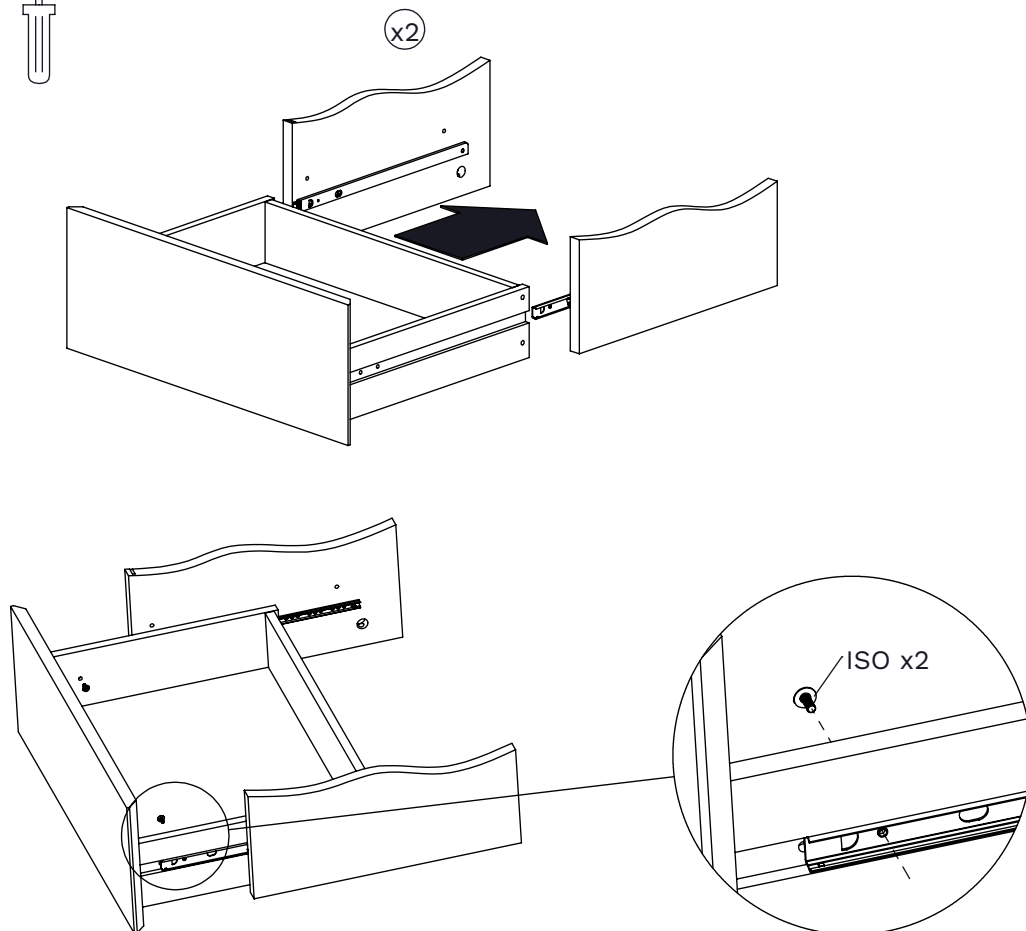
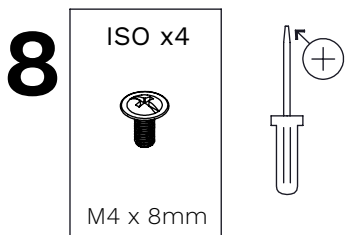
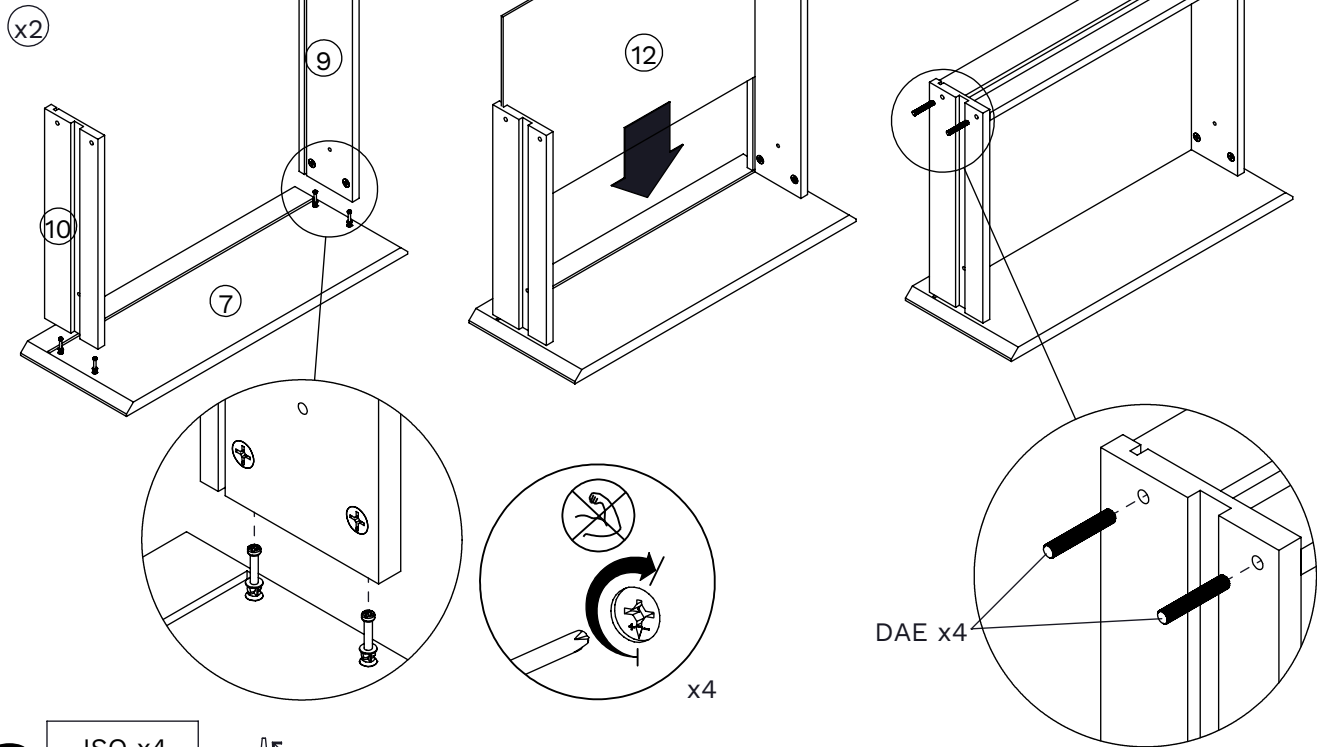
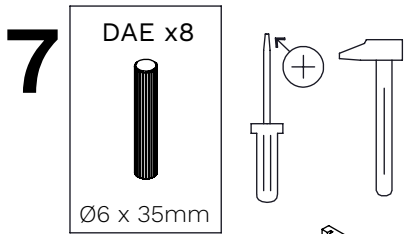
8

5





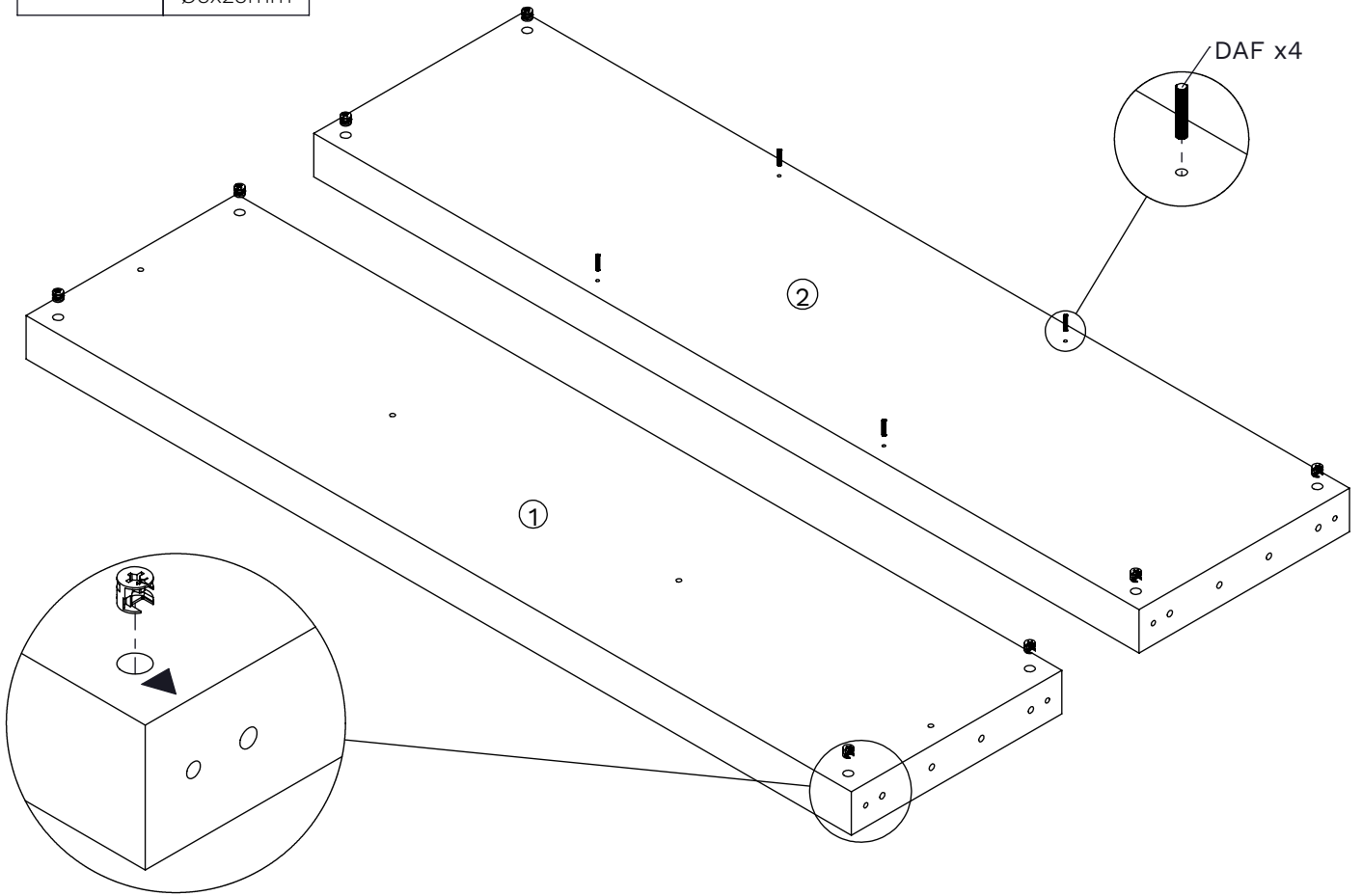
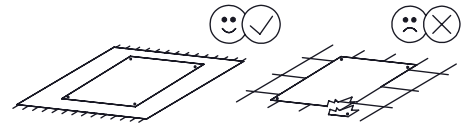
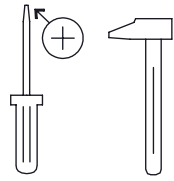
6



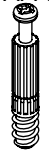

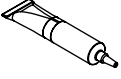


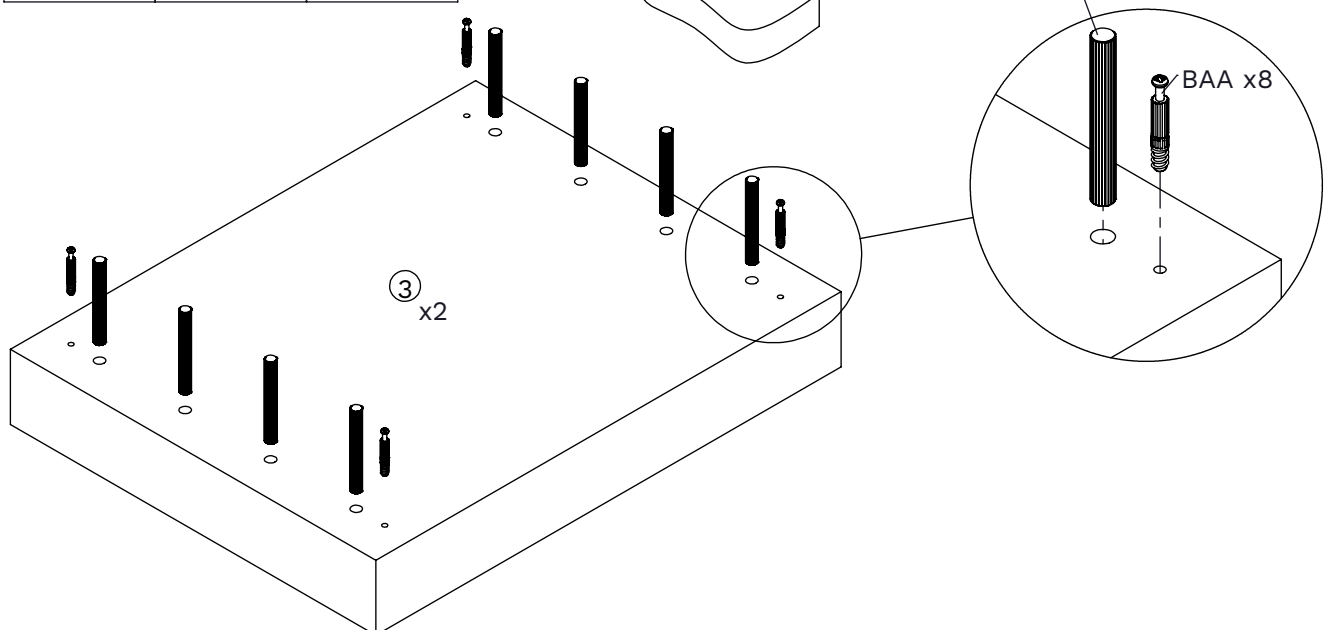
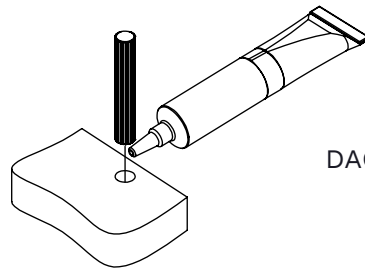
# 9

AAA x8	DAF x4
	
	Ø5x25mm



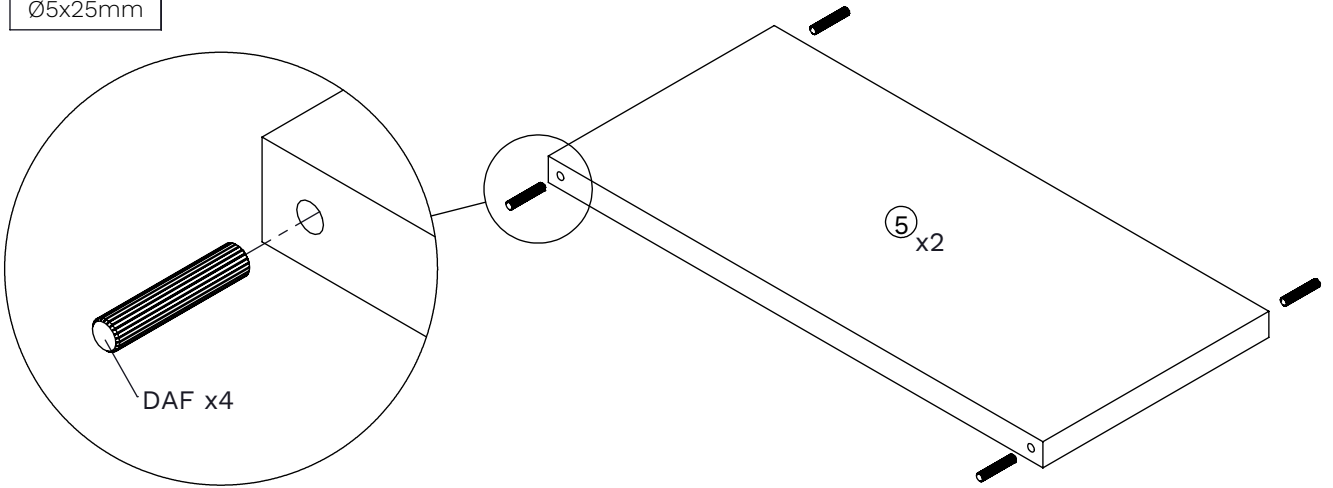
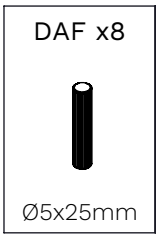
# 10

BAA x8	DAG x16	NM x1
		
Ø7x41mm	Ø10x80mm	

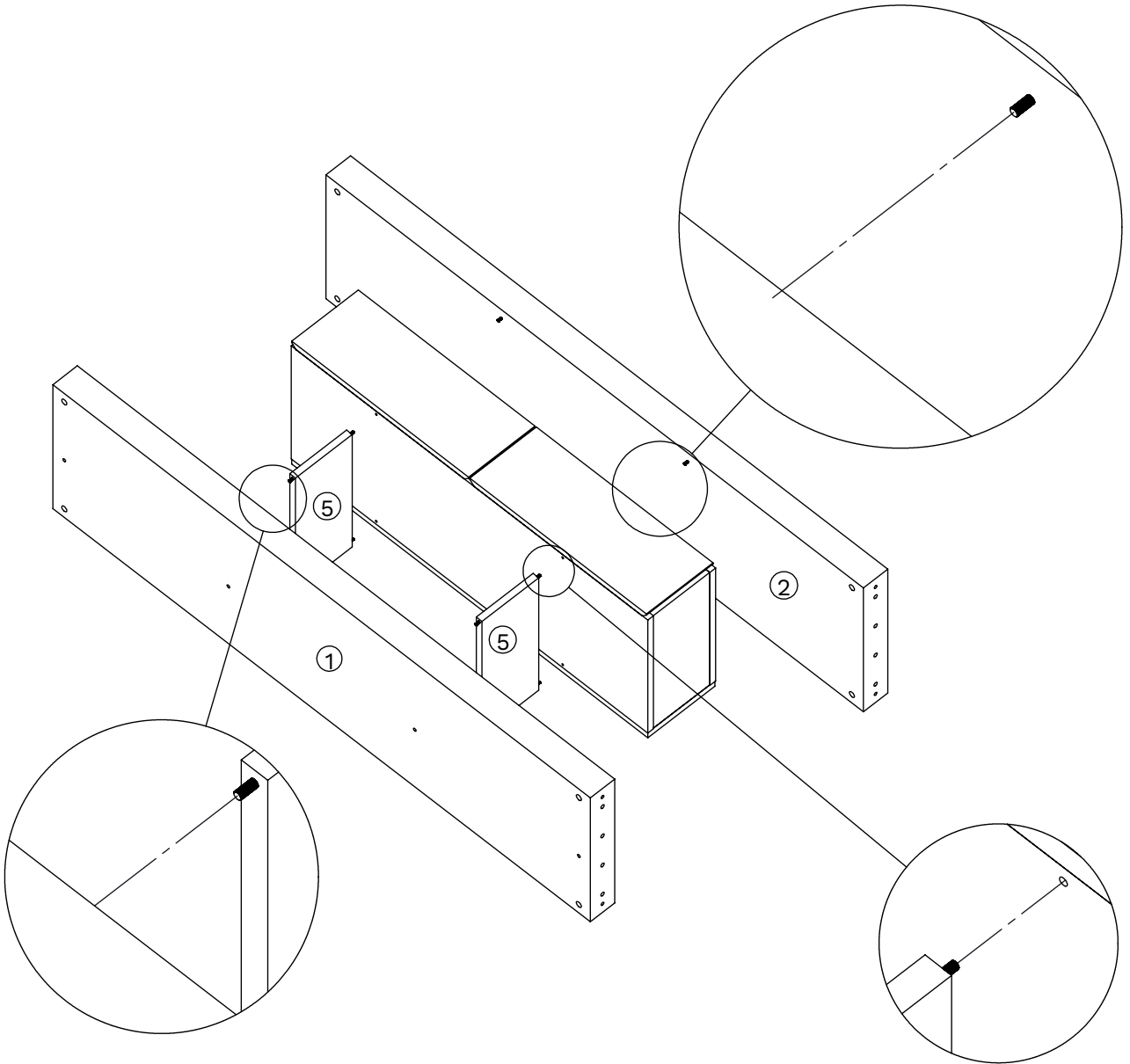




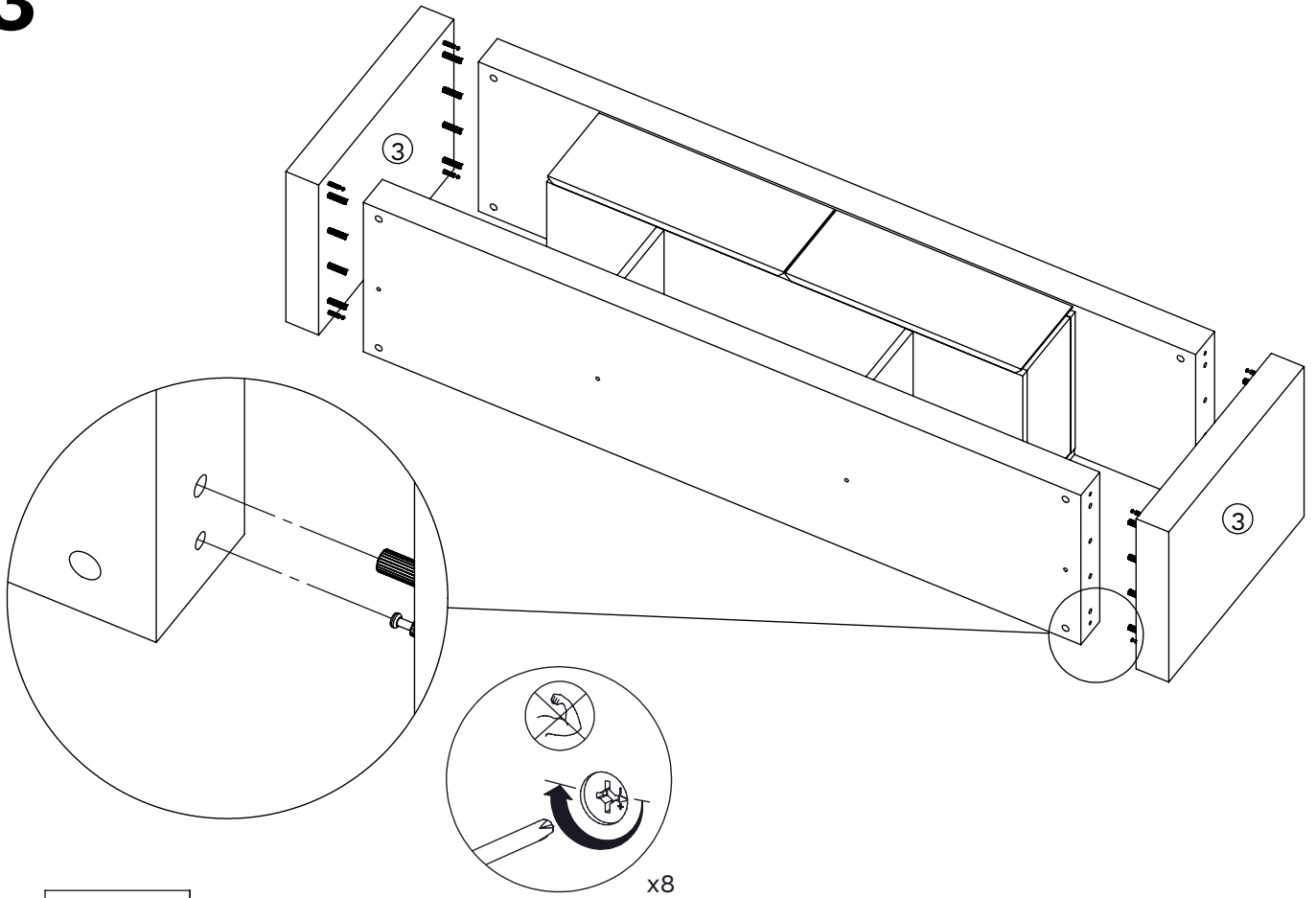
# 11



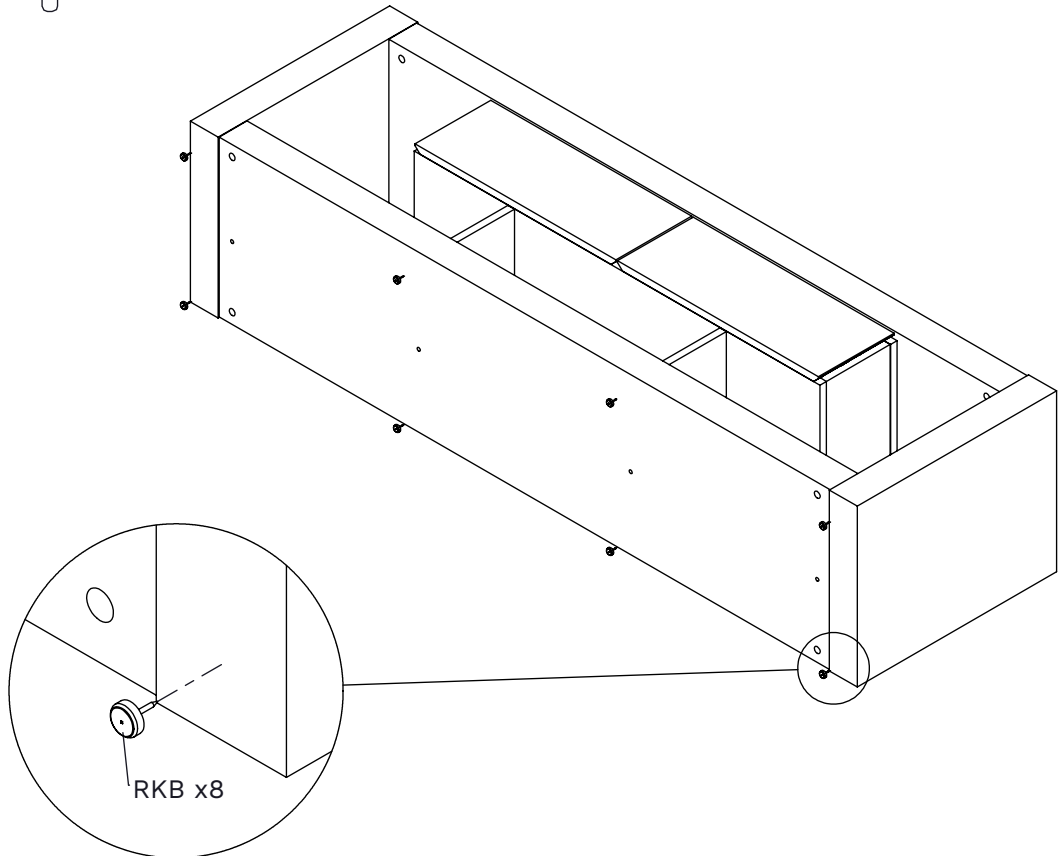
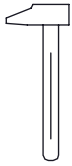
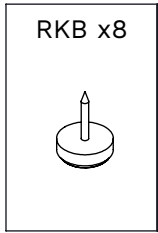
# 12



# 13



# 14



15

EDO x4

