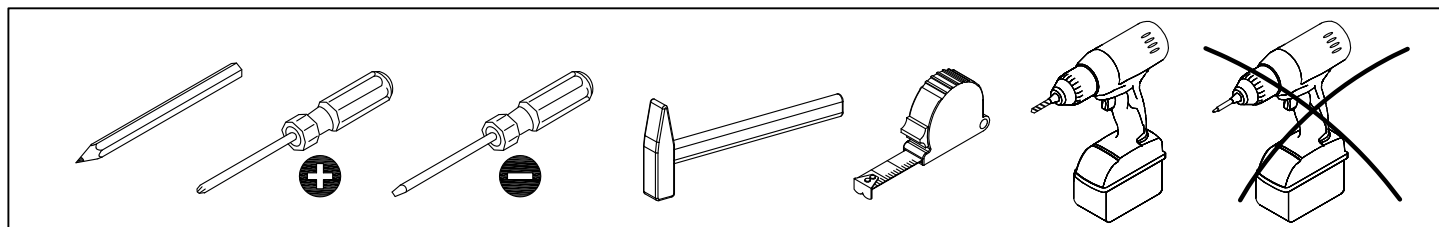
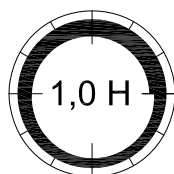
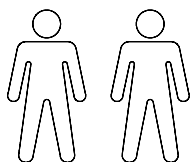
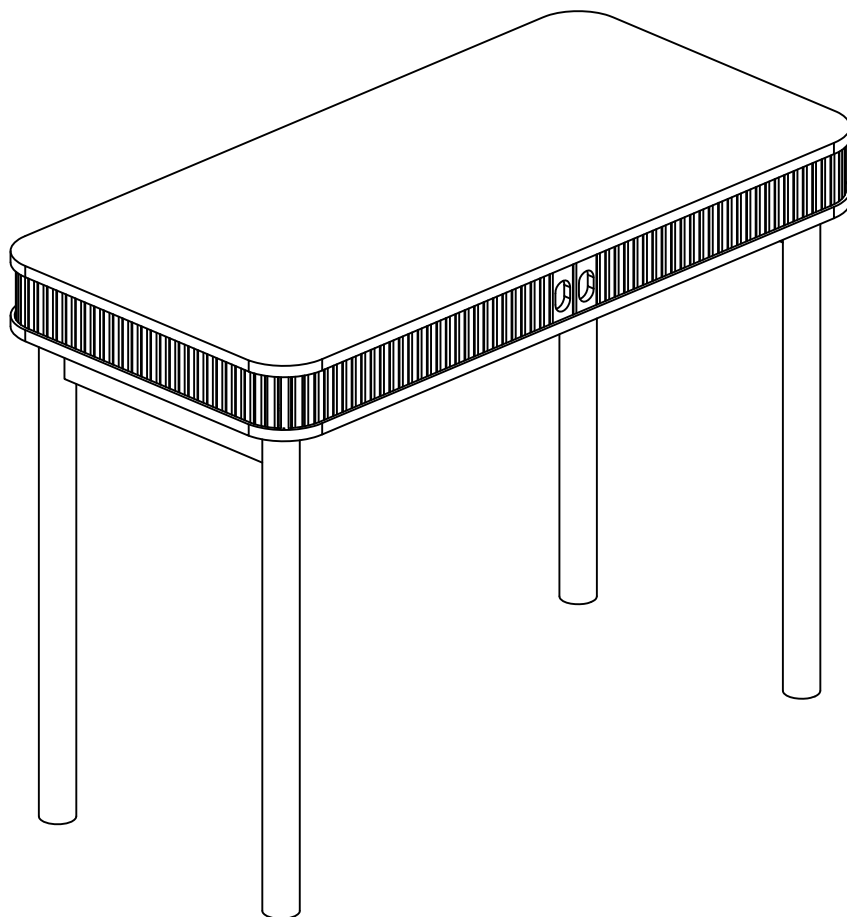
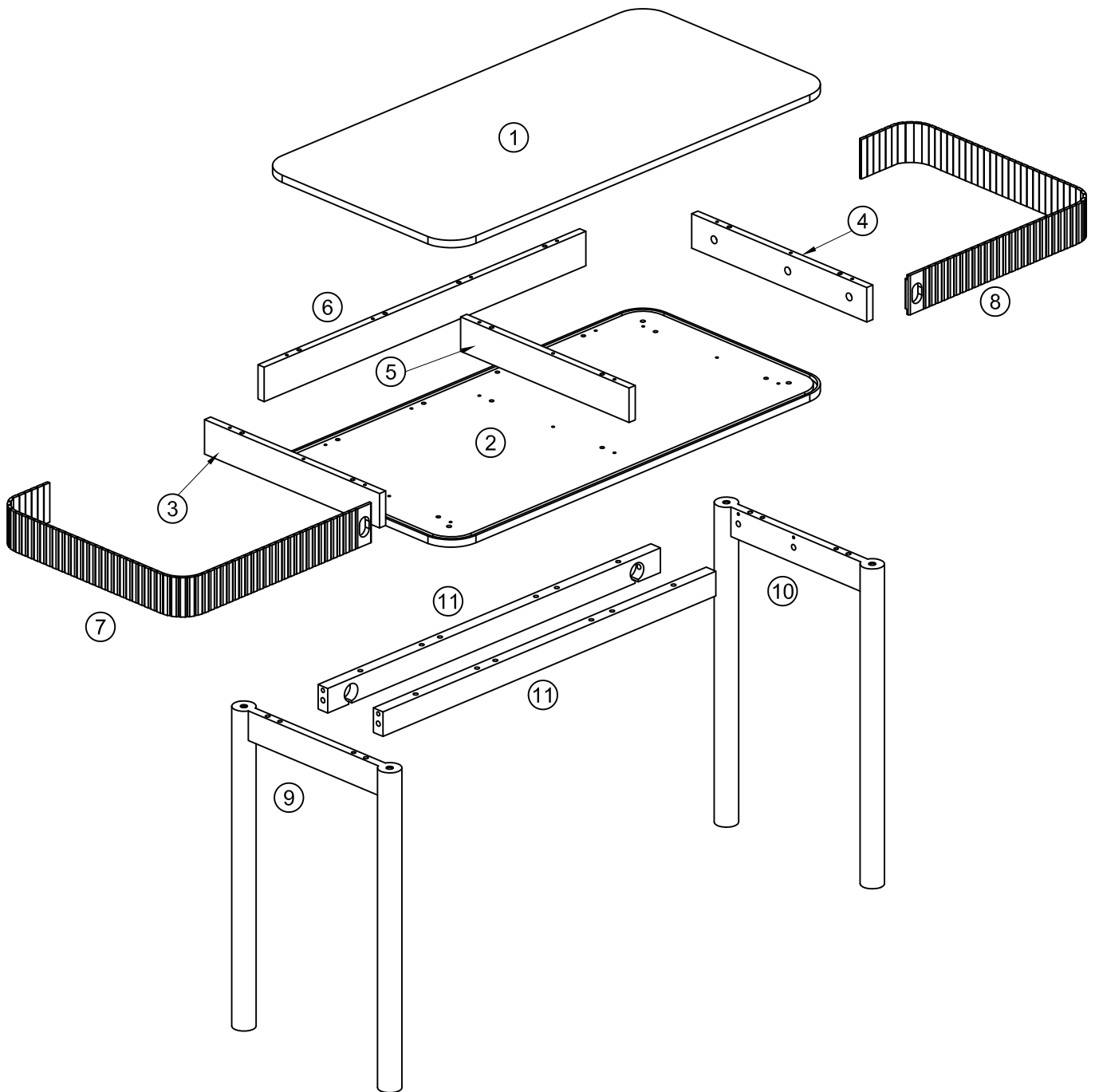


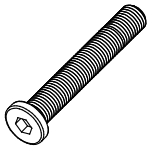
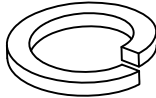
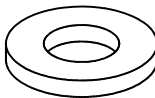

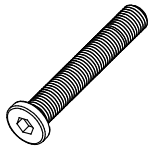

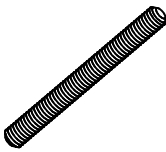
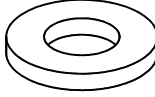
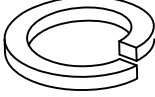
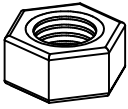
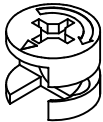
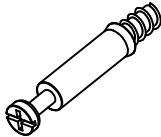
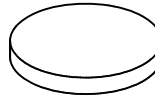
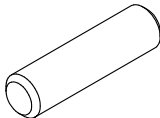
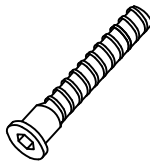
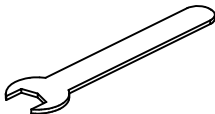

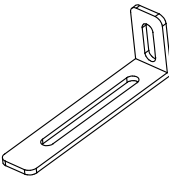
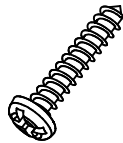
LANGLEY





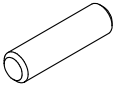
			✓
①	1	1000x500x15	
②	1	1000x500x15	
③	1	456x70x16	
④	1	456x70x16	
⑤	1	439x70x16	
⑥	1	818x70x16	

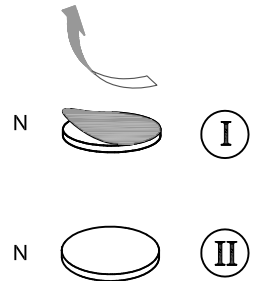
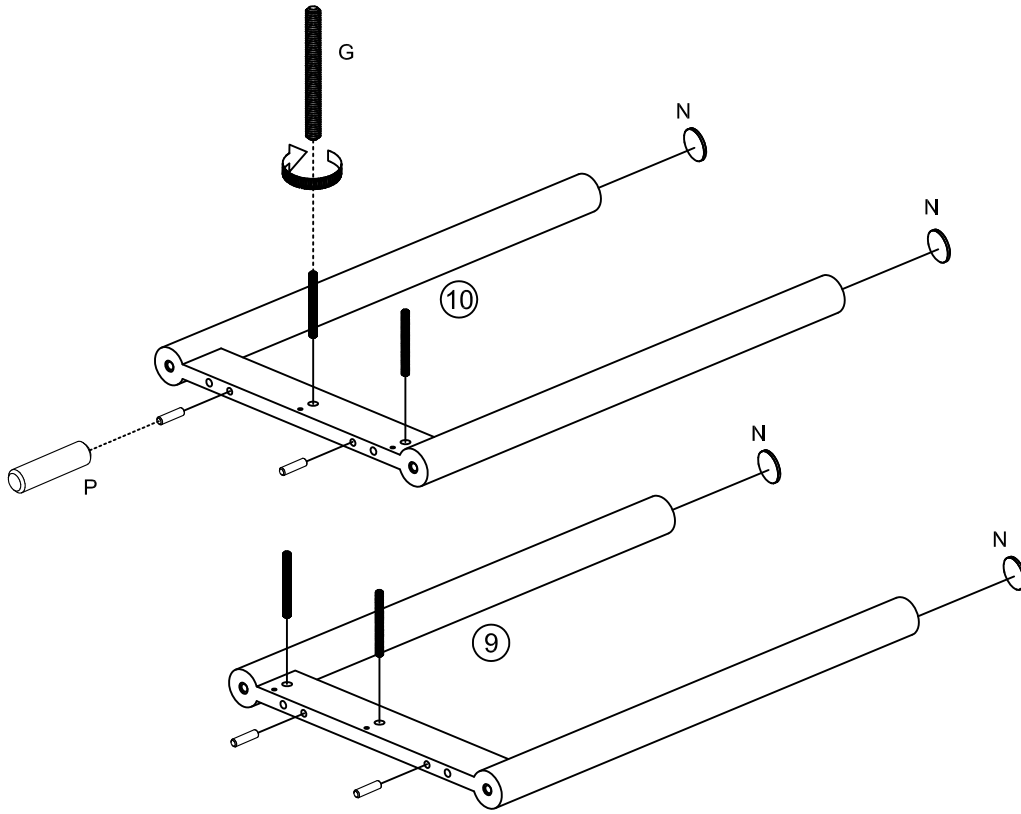
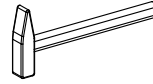
			✓
⑦	1	1015x80x15	
⑧	1	1015x80x15	
⑨	1	650x430x45	
⑩	1	650x430x45	
⑪	2	867x50x25	



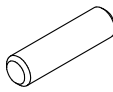
<p>A x 4</p>  <p>M6x65 mm</p>	<p>B x 12</p>  <p>Ø6 mm</p>	<p>C x 12</p>  <p>Ø6/Ø14 mm</p>	<p>D x 1</p>  <p>4 mm</p>	<p>E x 8</p>  <p>M6x55 mm</p>
<p>F x 4</p>  <p>27x14x6 mm</p>	<p>G x 4</p>  <p>M8x80 mm</p>	<p>H x 4</p>  <p>Ø8/Ø14 mm</p>	<p>J x 4</p>  <p>Ø8 mm</p>	<p>K x 4</p>  <p>M8 mm</p>
<p>L x 13</p>  <p>Ø15x12 mm</p>	<p>M x 13</p>  <p>Ø6x43 mm</p>	<p>N x 4</p>  <p>Ø35x3 mm</p>	<p>P x 32</p>  <p>Ø8x30 mm</p>	<p>Q x 13</p>  <p>Ø7x30 mm</p>
<p>R x 1</p>  <p>12 mm</p>	<p>S x 4</p>  <p>M6x30 mm</p>	<p>T x 2</p>  <p>75x15x25 mm</p>	<p>U x 4</p>  <p>Ø3.5x16 mm</p>	

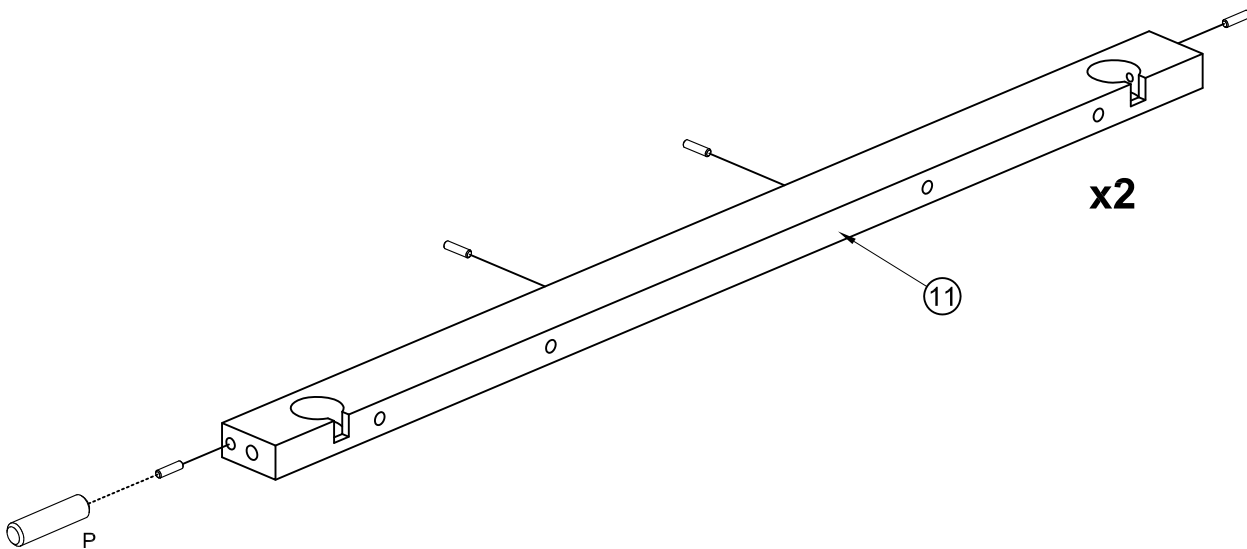
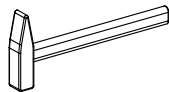
1

G x 4  M8x80 mm	N x 4  Ø35x3 mm	P x 4  Ø8x30 mm
---	---	---


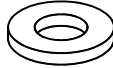
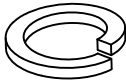
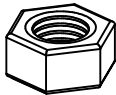



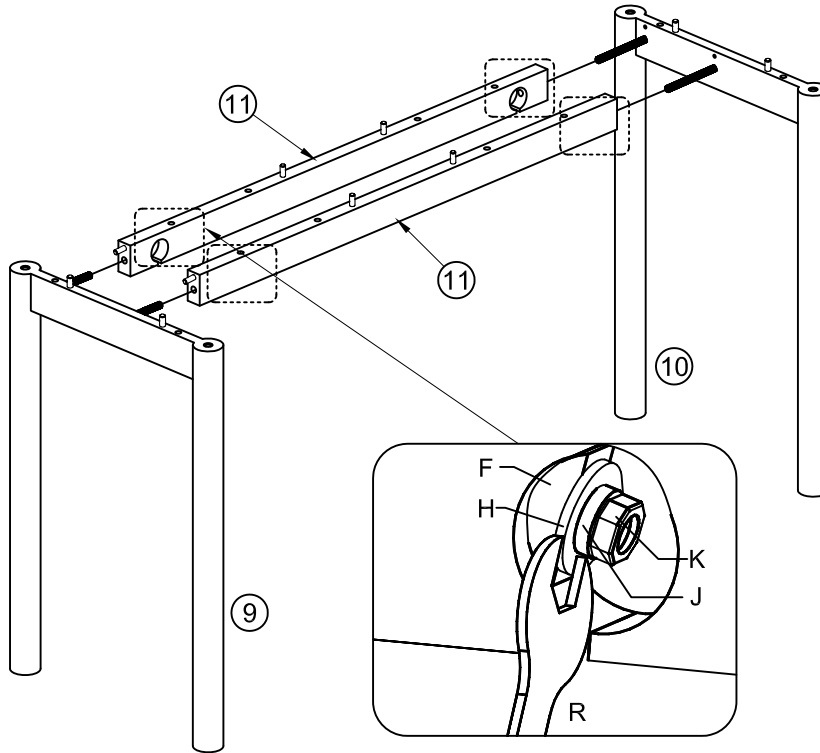
2

P x 8  Ø8x30 mm

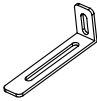



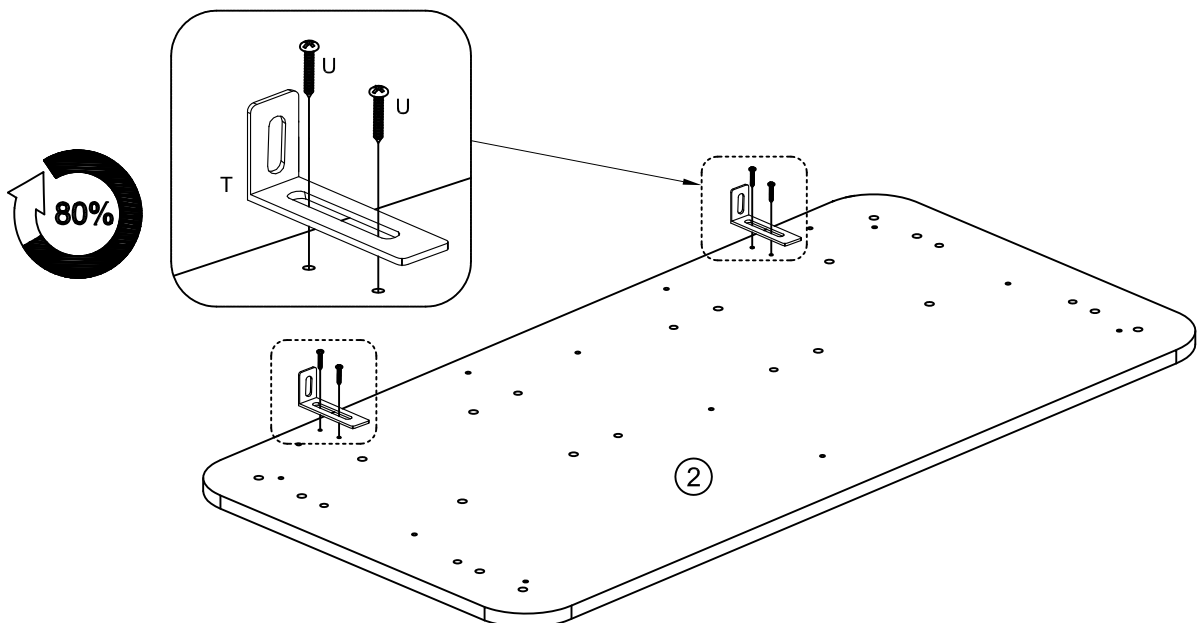
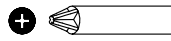
3

F x 4  27x14x6 mm	H x 4  Ø8/Ø14 mm	J x 4  Ø8 mm	K x 4  M8 mm	R x 1  12 mm
--	---	---	---	---

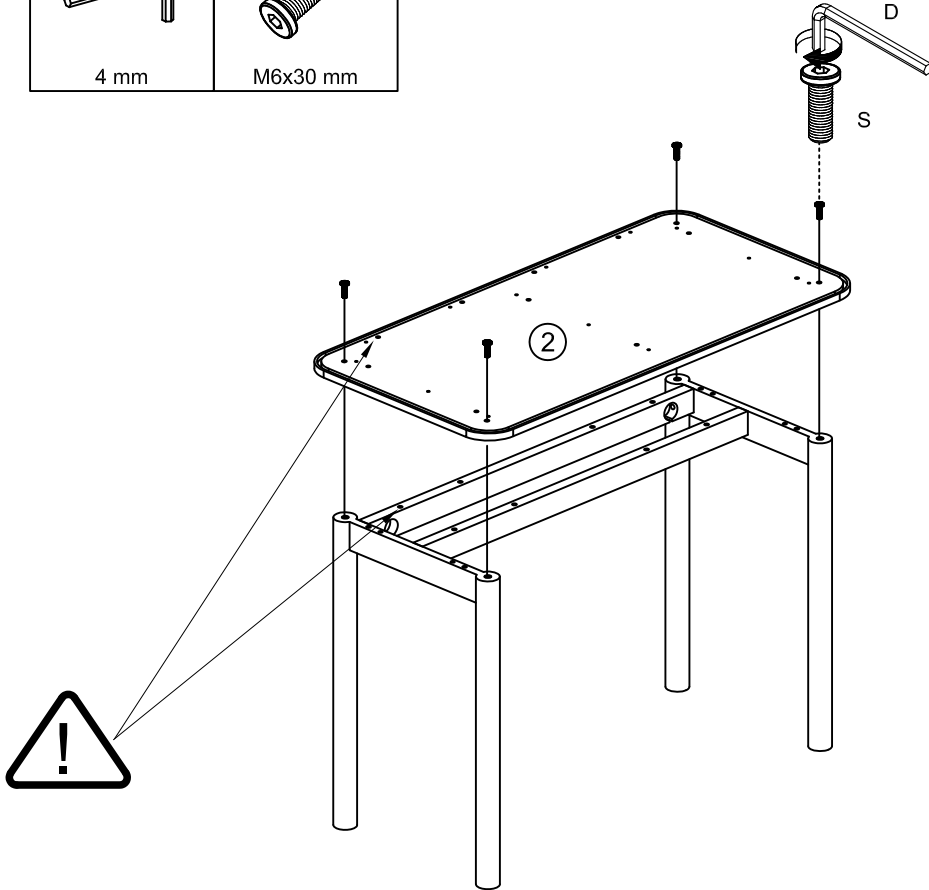
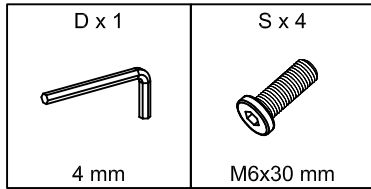


4

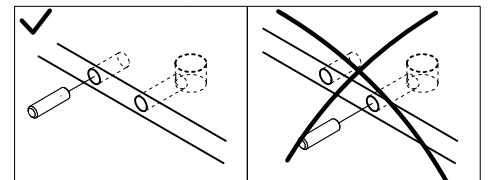
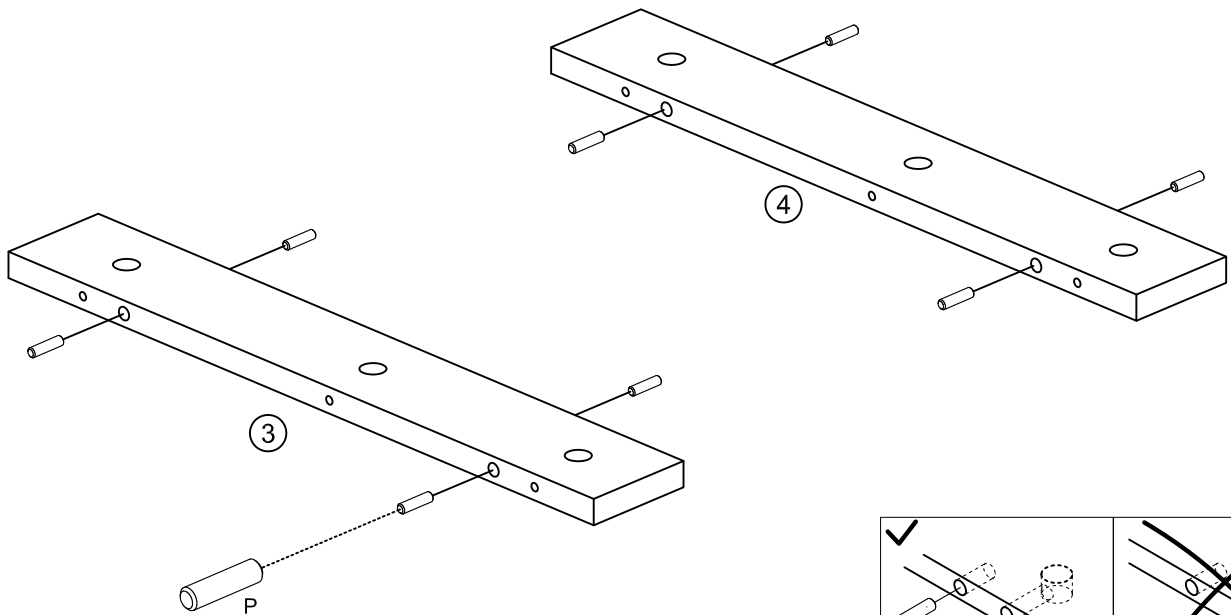
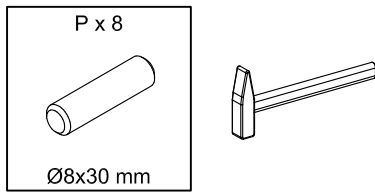
T x 2  75x15x25 mm	U x 4  Ø3.5x16 mm
---	--



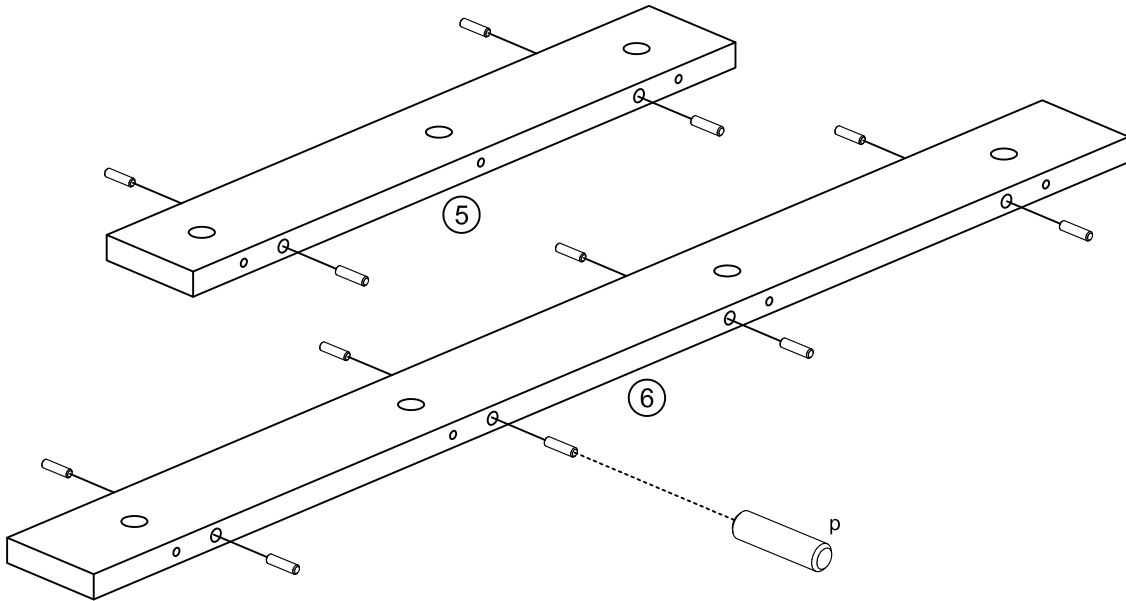
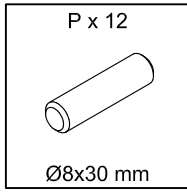
5



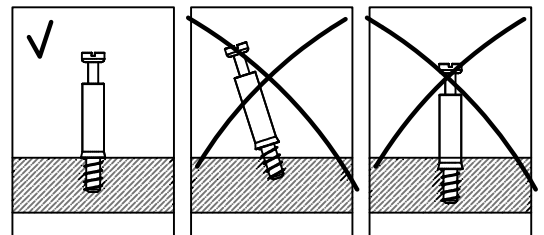
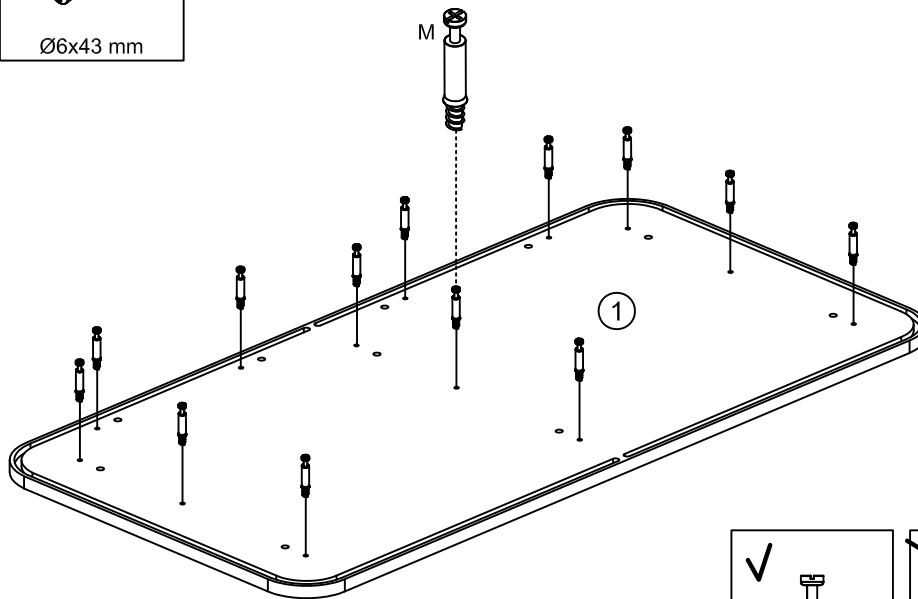
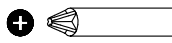
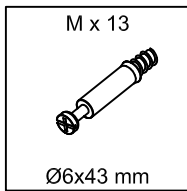
6



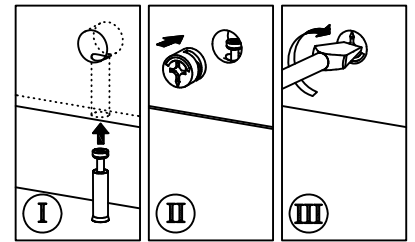
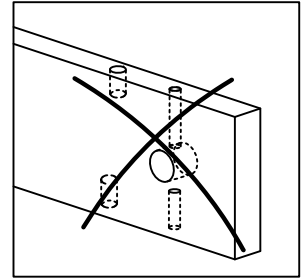
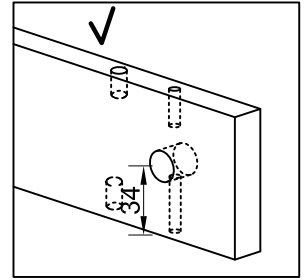
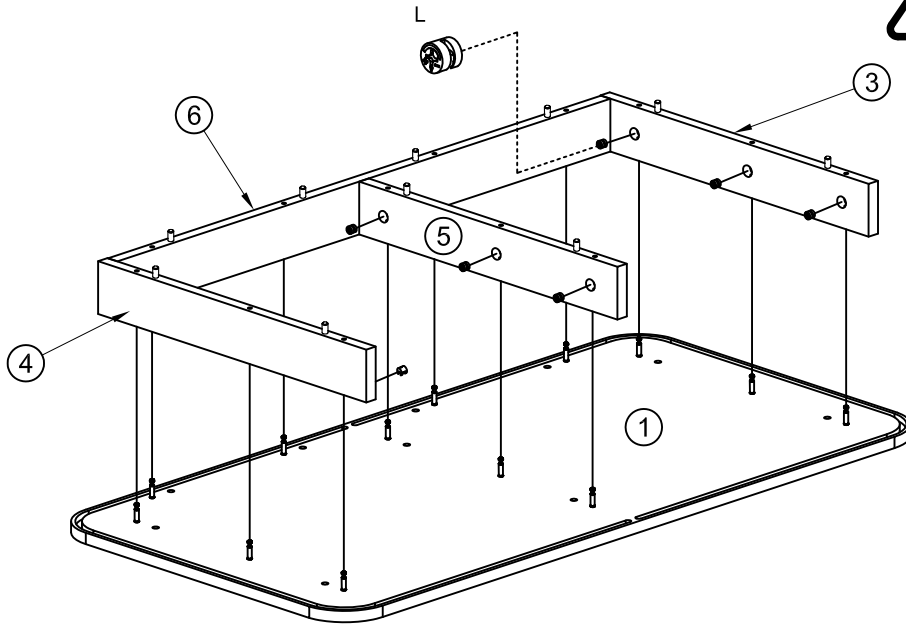
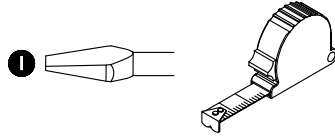
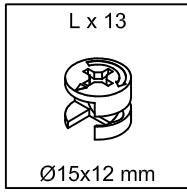
7



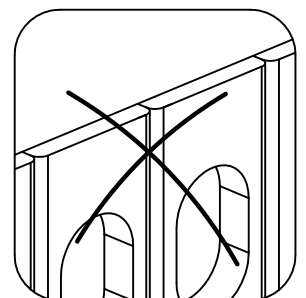
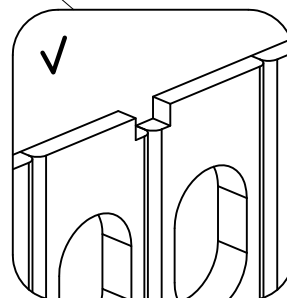
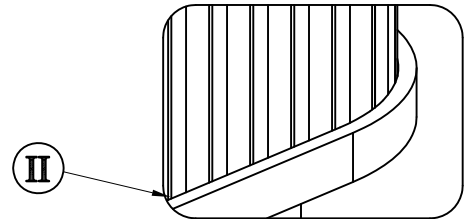
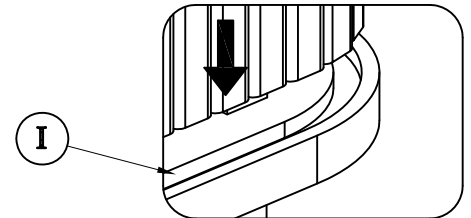
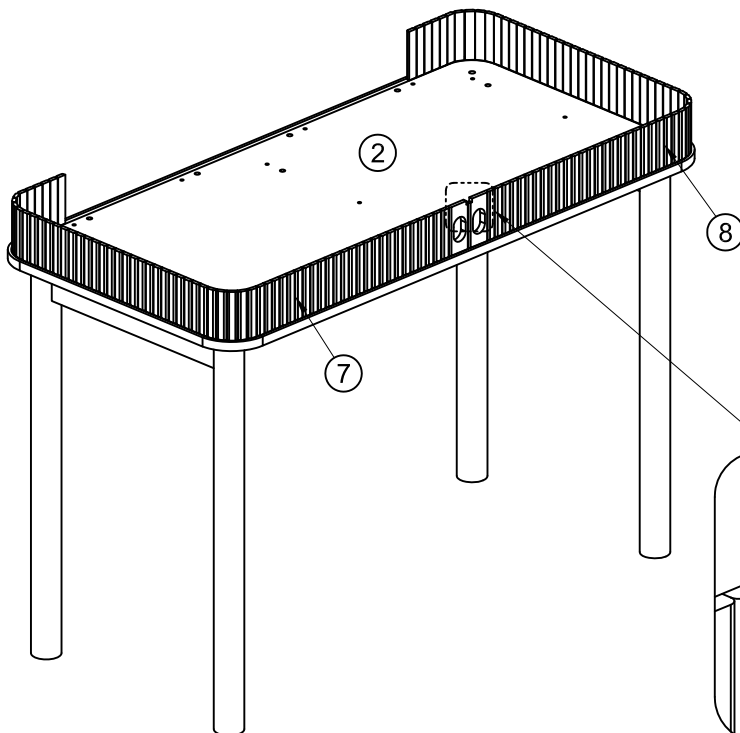
8



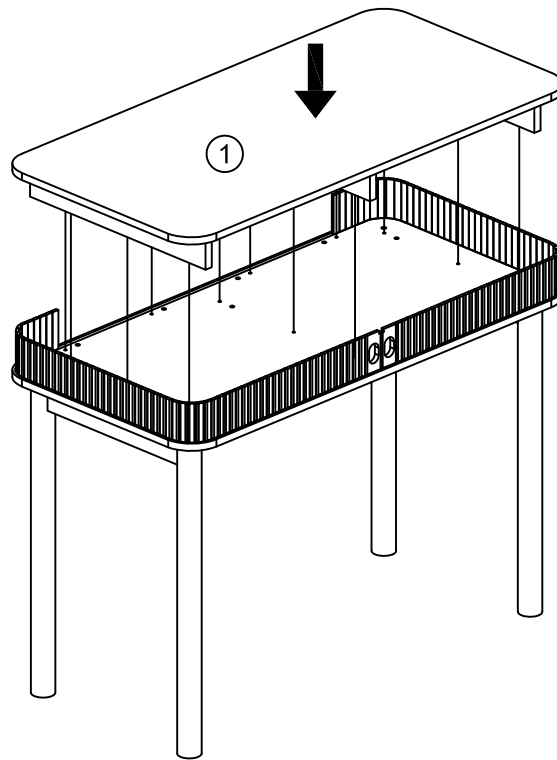
9




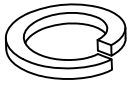
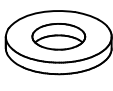


10

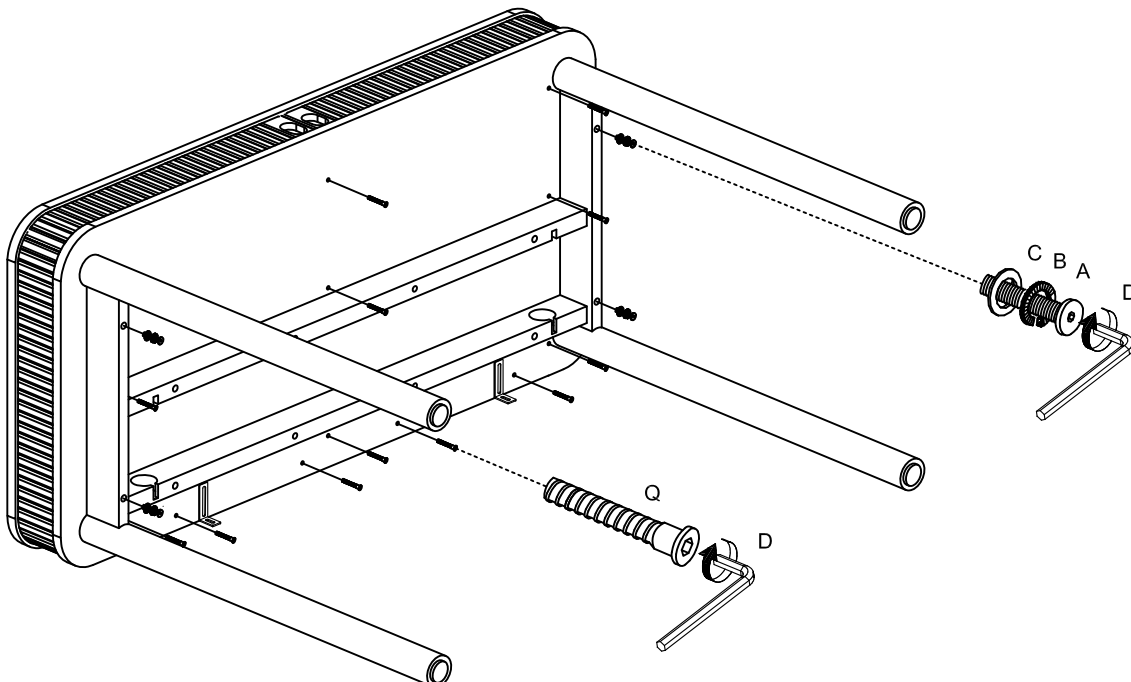


11

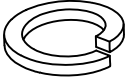
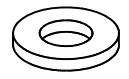




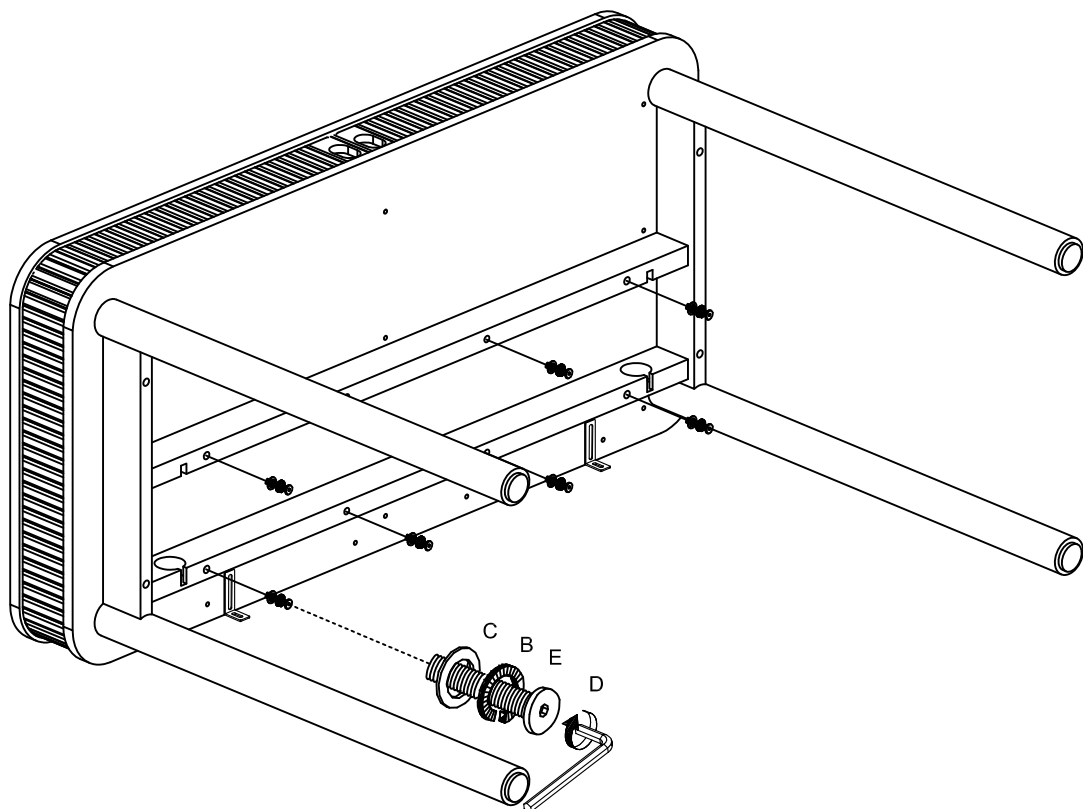
12

A x 4	B x 4	C x 4	D x 1	Q x 13
				
M6x65 mm	Ø6 mm	Ø6/Ø16 mm	4 mm	Ø7x30 mm

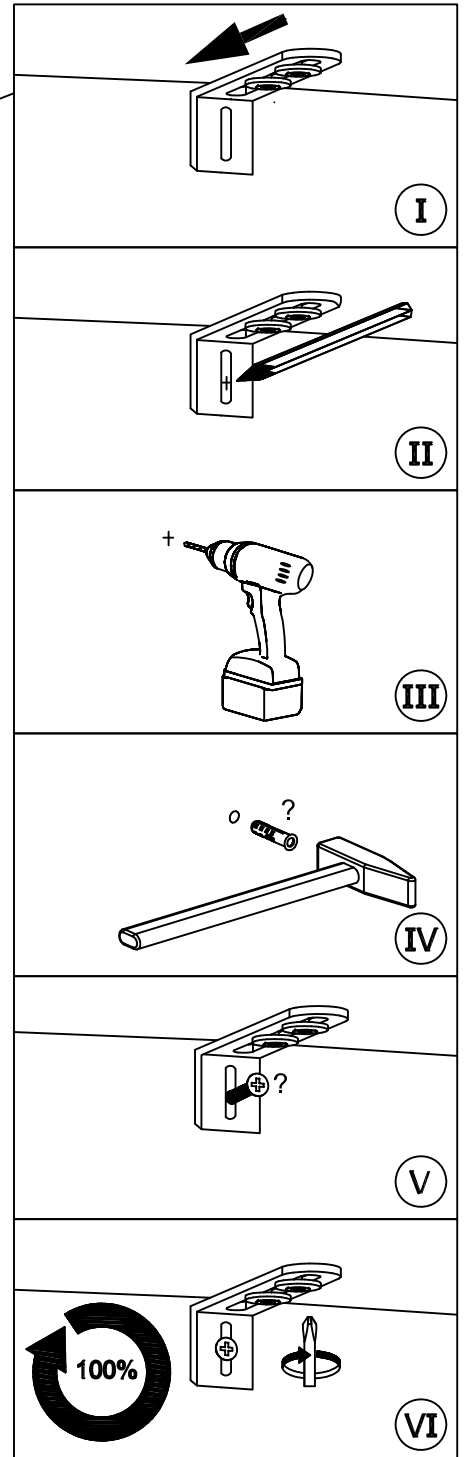
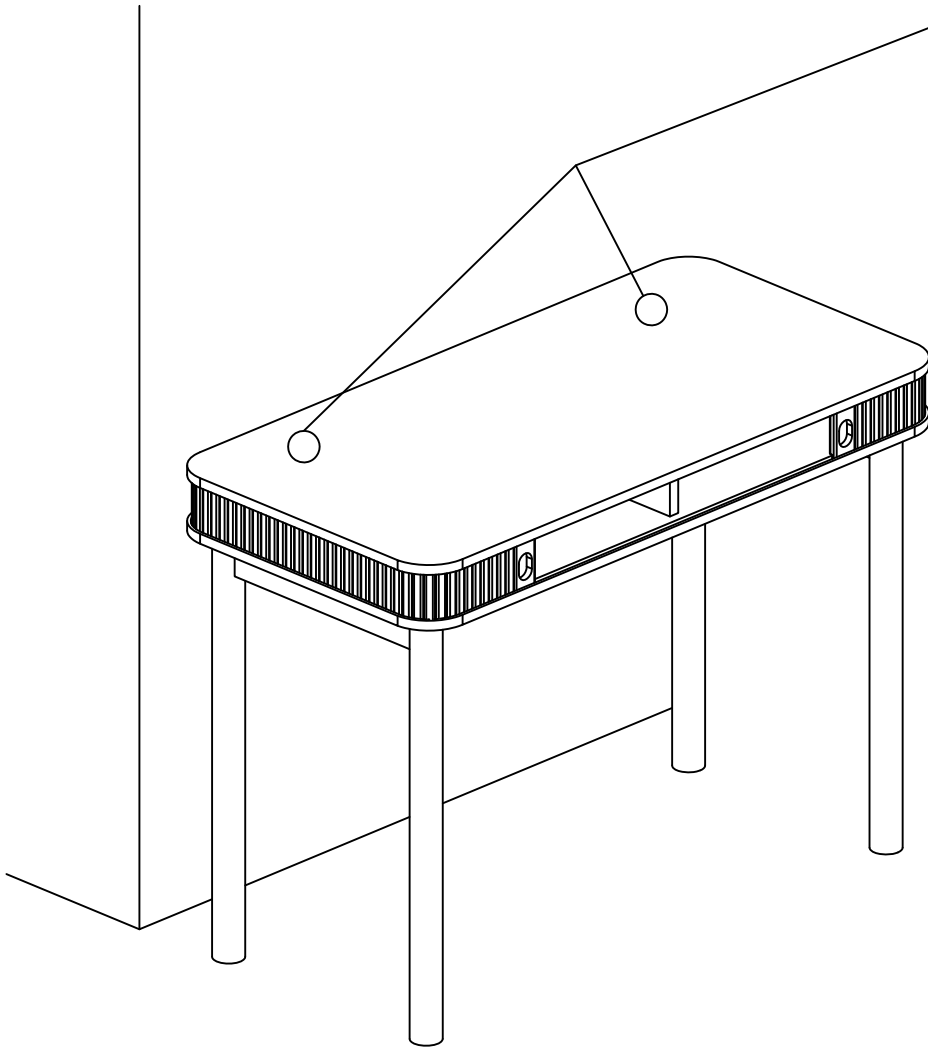
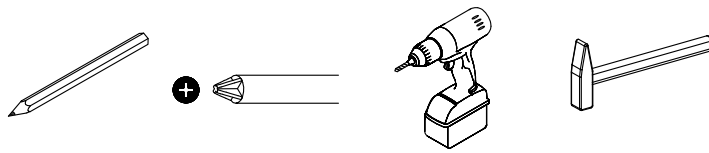


13

B x 8  Ø6 mm	C x 8  Ø6/Ø16 mm	D x 1  4 mm	E x 8  M6x55 mm
---	---	--	--



14



15

