

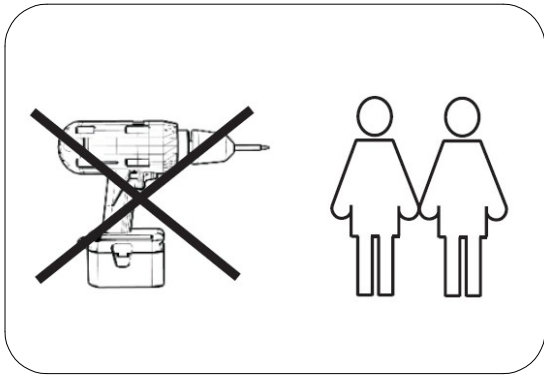
ASSEMBLY INSTRUCTION

COLTON COFFEE TABLE ROUND

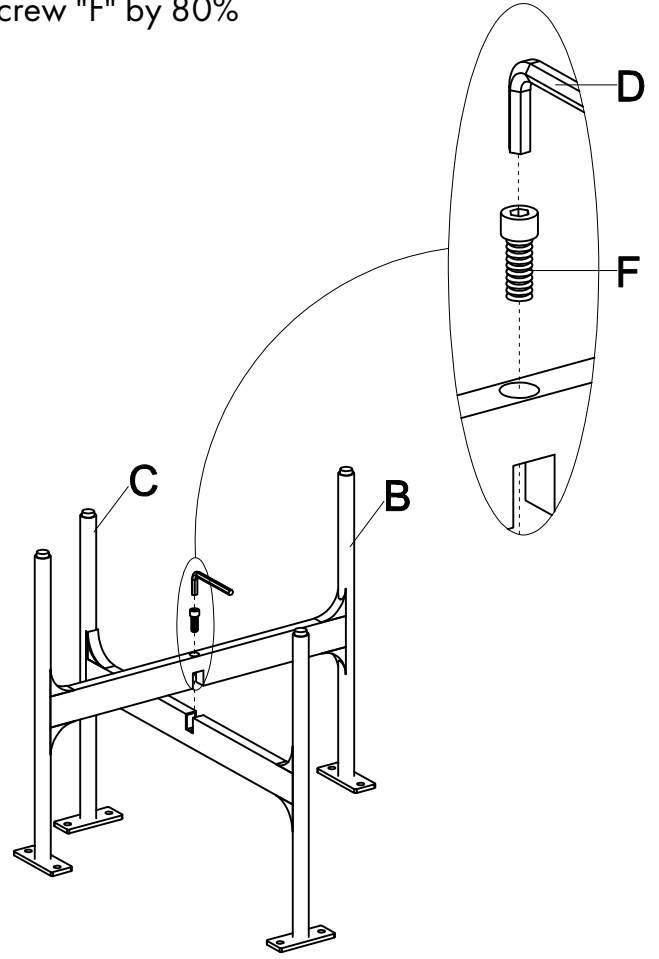


ROWICO

HOME

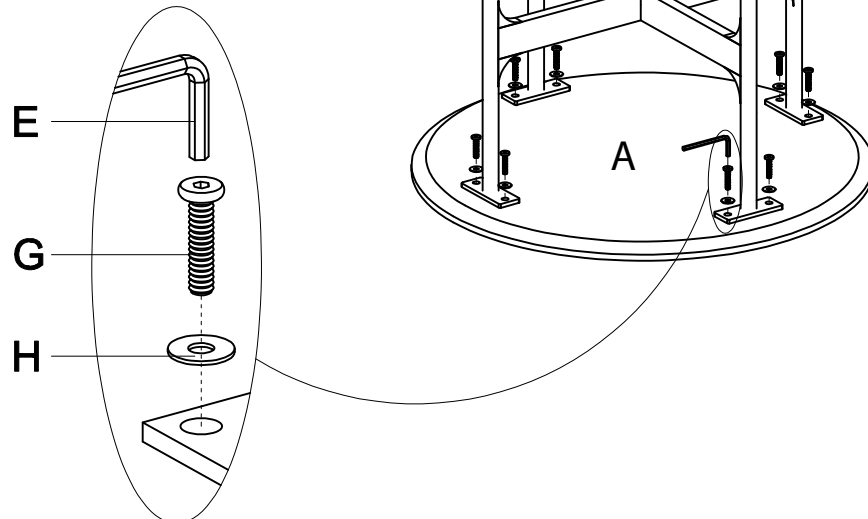


① Tighten screw "F" by 80%

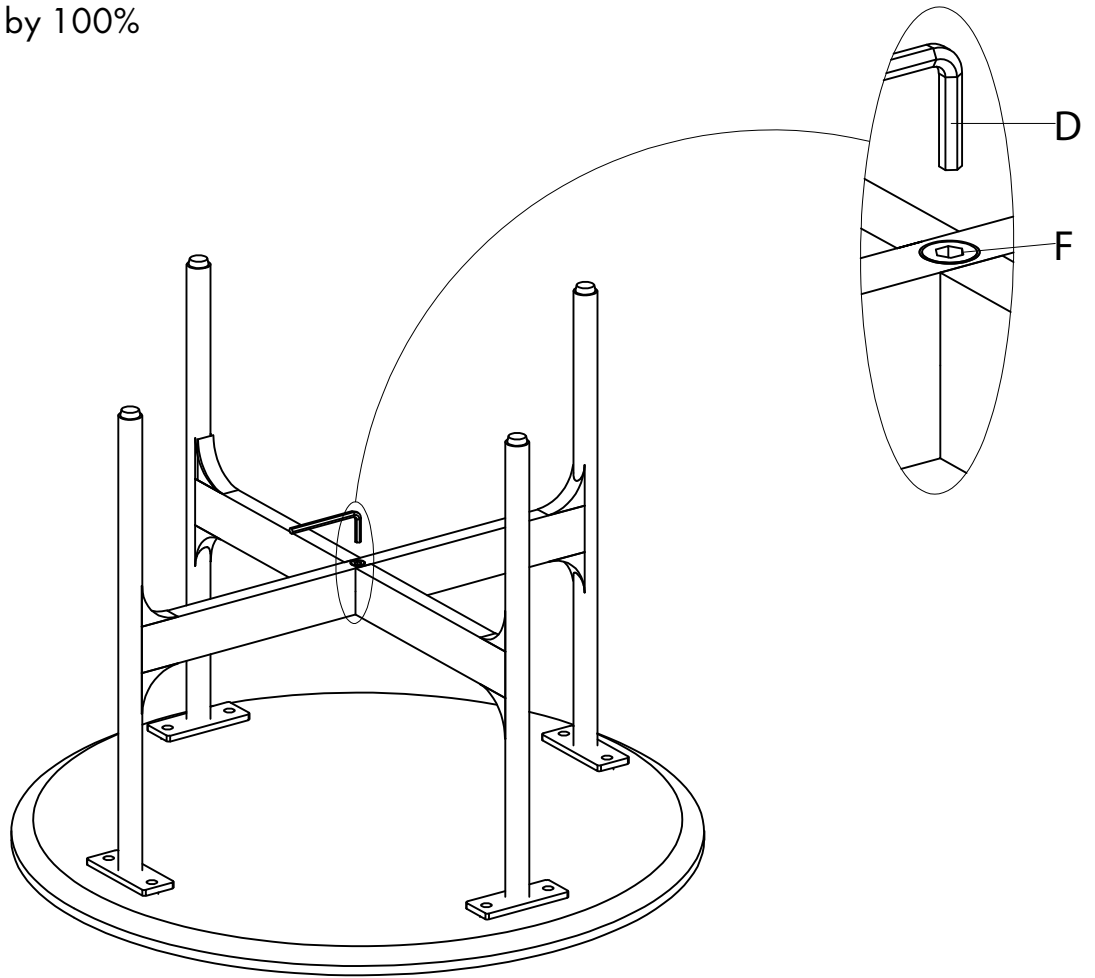


<p>Ax1</p>	<p>Dx1</p> <p>M5</p>
<p>Bx1</p>	<p>Ex1</p> <p>M4</p>
<p>Cx1</p>	<p>Fx1</p> <p>M6x20</p>
<p>Hx8</p> <p>Ø16xØ6x1.5</p>	<p>Gx8</p> <p>M6x20</p>

② Tighten screw "G" by 100%



③ Tighten screw "F" by 100%



④  Adjustable feet

