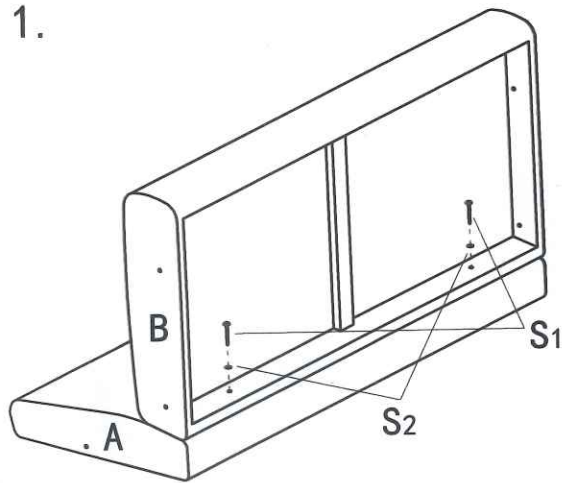


# INSTRUCTION

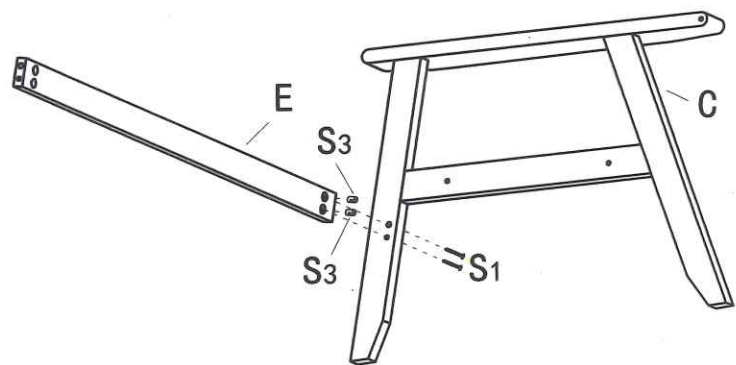
Code : 4666



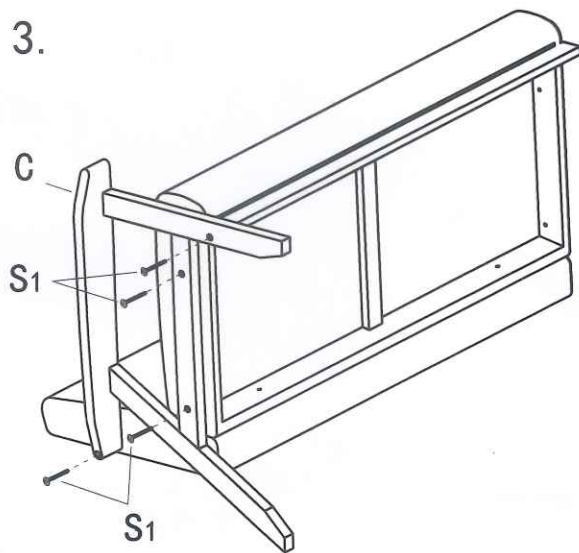
1.



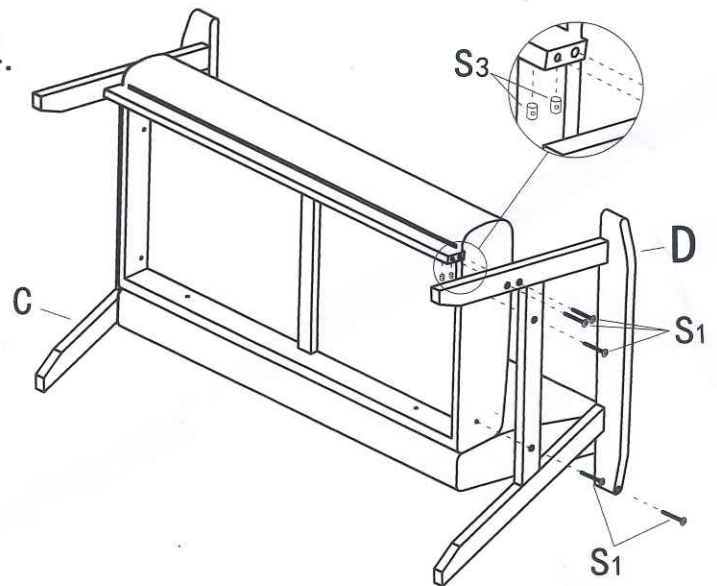
2.



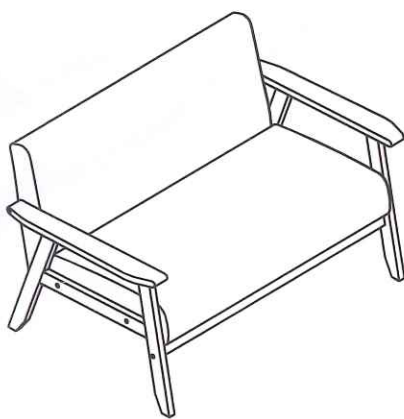
3.



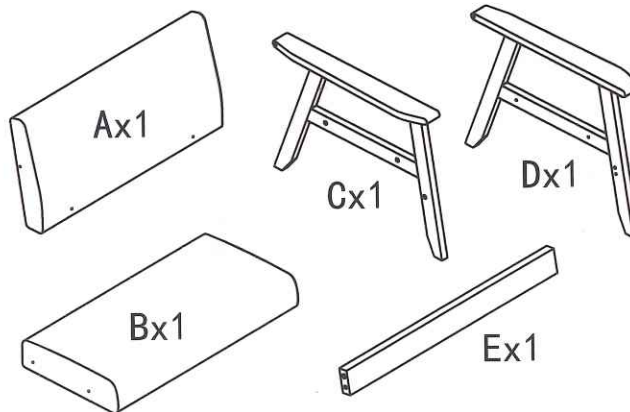
4.



● Finished Product



● Item Parts



- S1x12
- S2x2
- S3x4
- S4x1