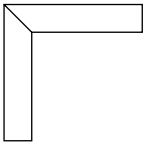


Bali

corner sofa

A

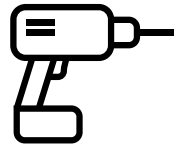
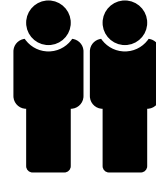


x11

B

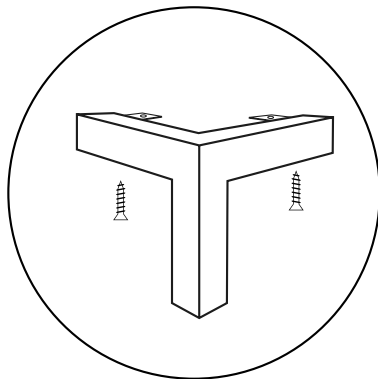
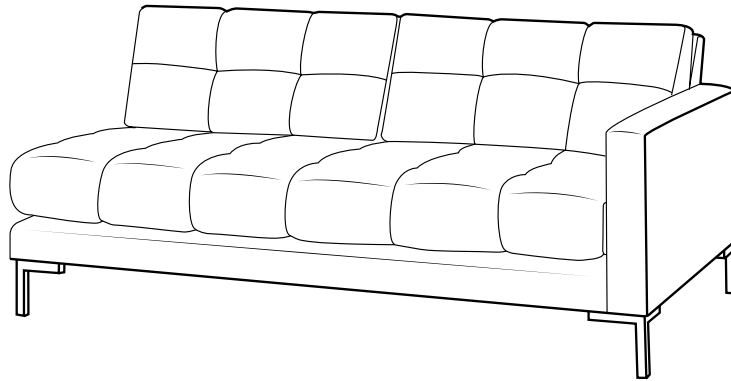


x2

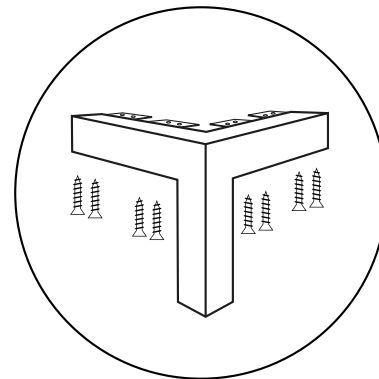


* the installation method for a right and left-sided sofa is analogous.

part A

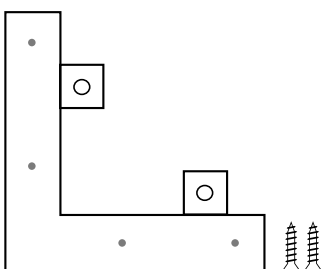


option 1

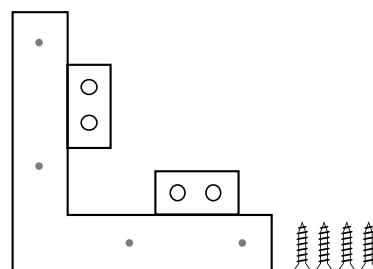


option 2

option 1

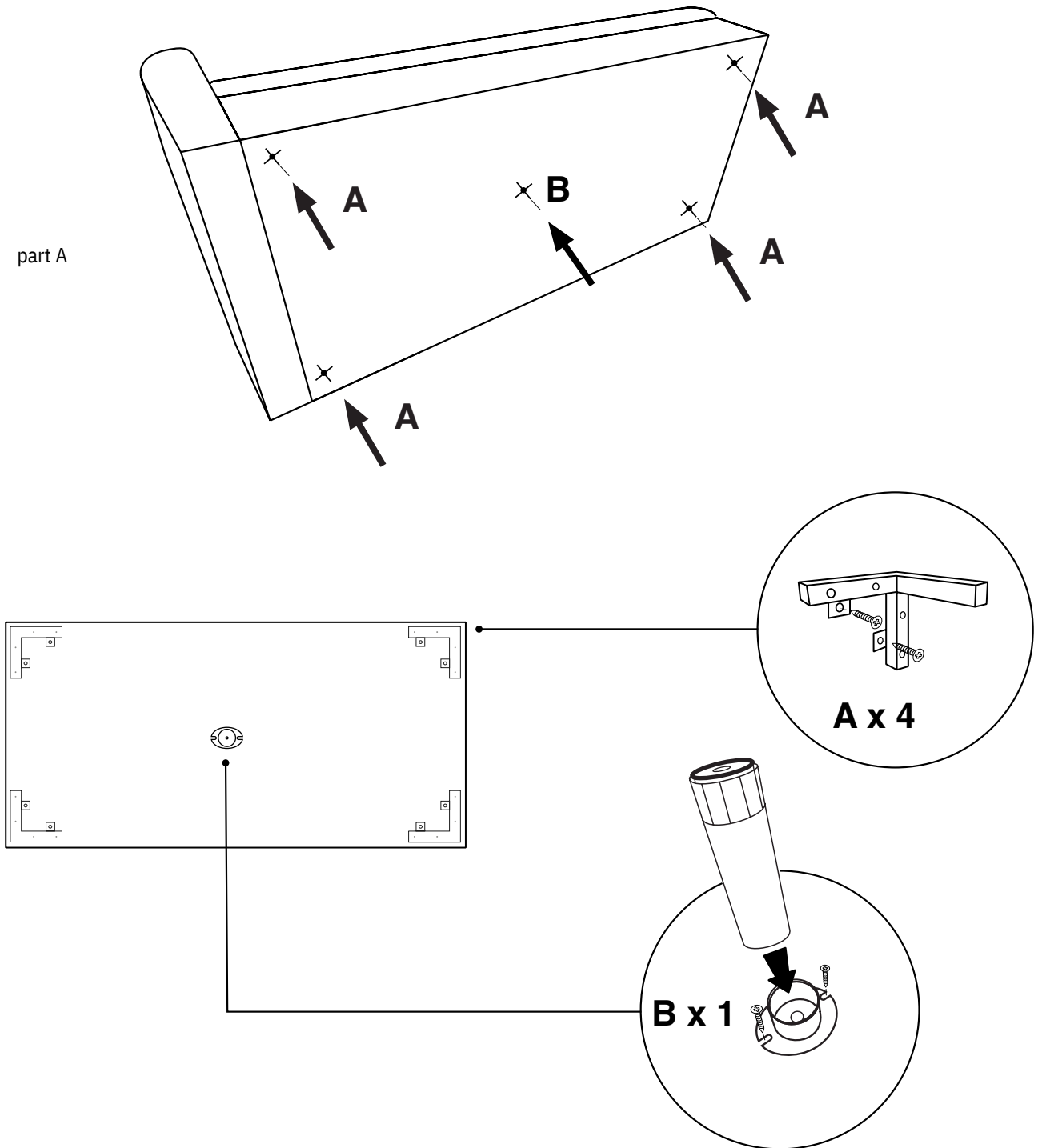


option 2

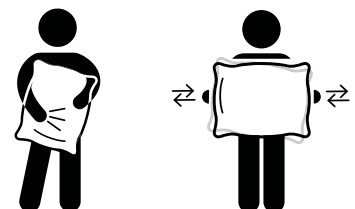


ATTENTION!

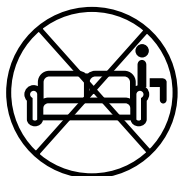
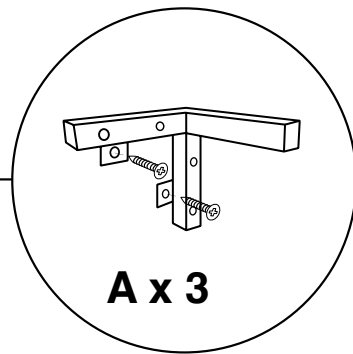
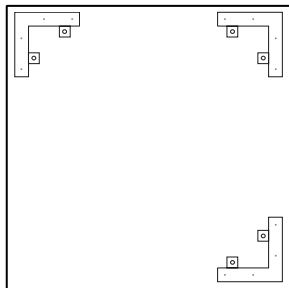
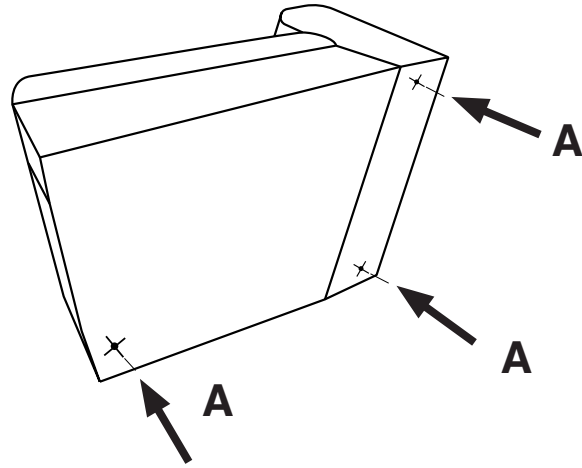
Legs should be mounted depending on the batch. Check the legs in your kit and mount them as instructed.



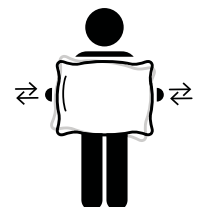
SHAPE UP ALL PILLOWS AND CUSHIONS!



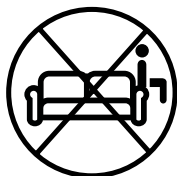
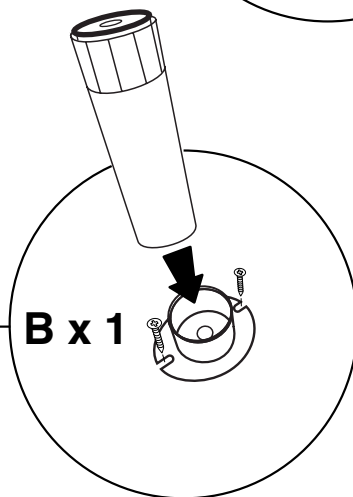
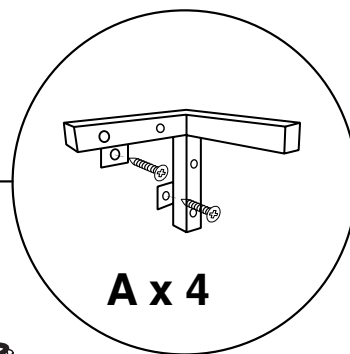
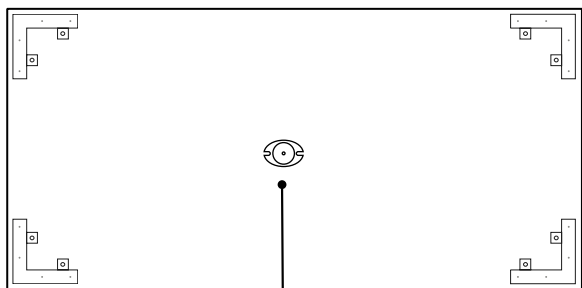
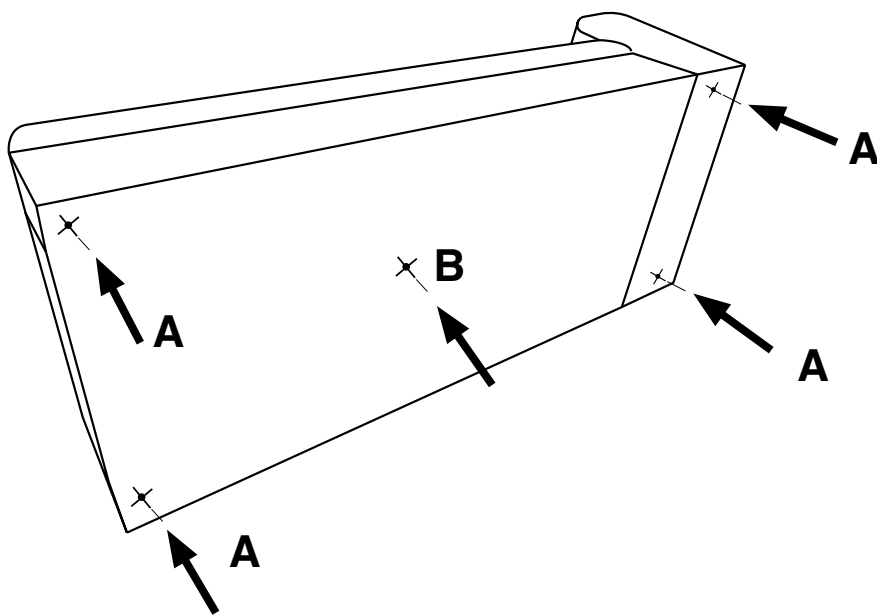
part B



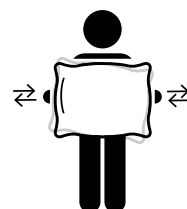
SHAPE UP ALL PILLOWS AND CUSHIONS!



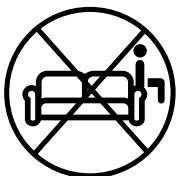
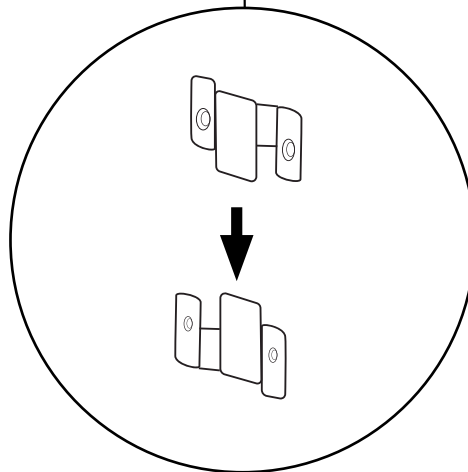
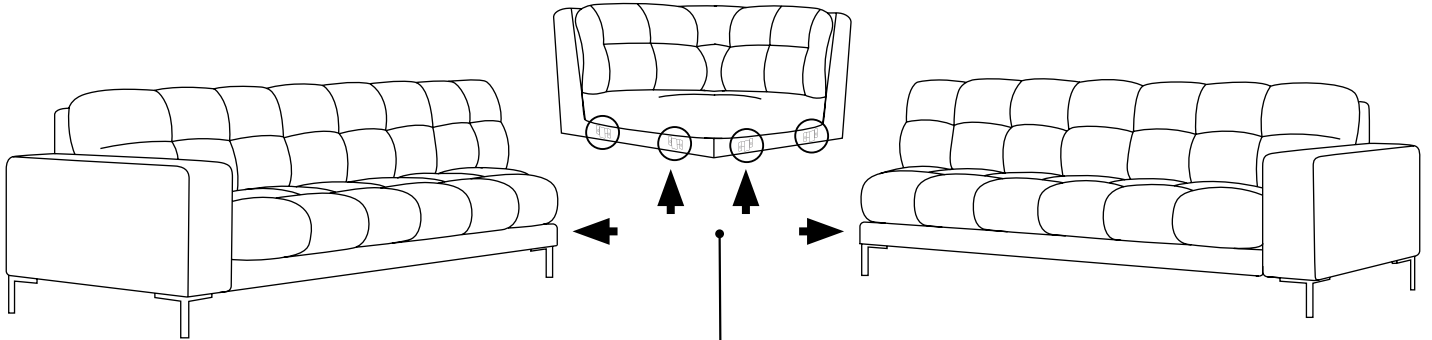
part C



SHAPE UP ALL PILLOWS AND CUSHIONS!



part A + B + C



SHAPE UP ALL PILLOWS AND CUSHIONS!

