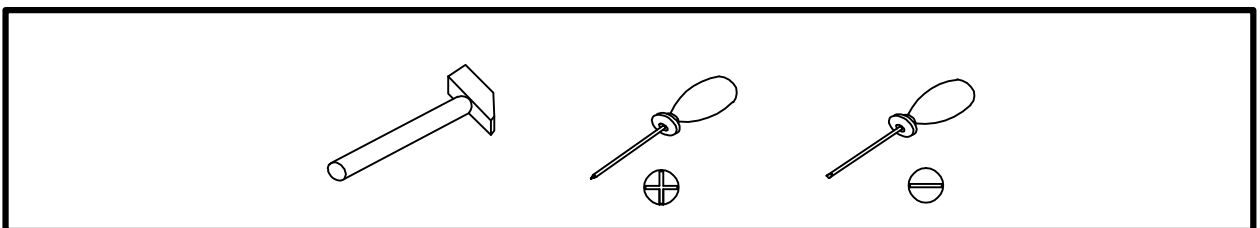
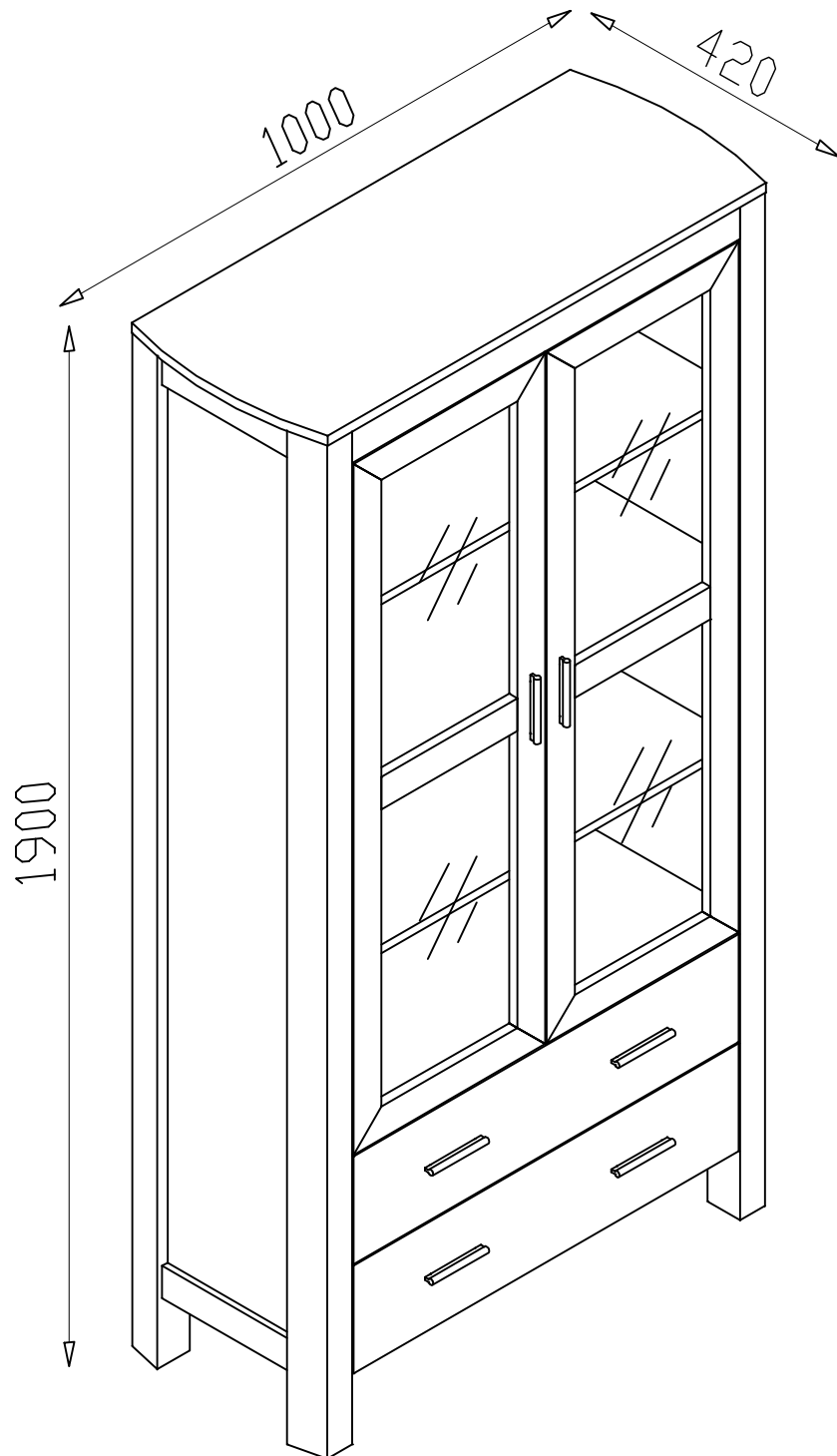




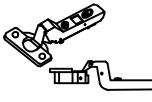

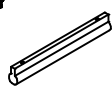





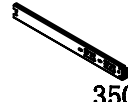


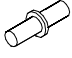




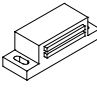
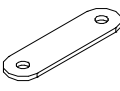






201612, 0011

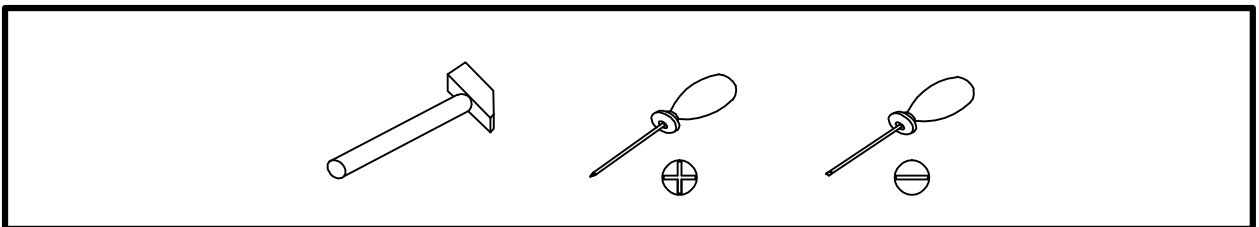
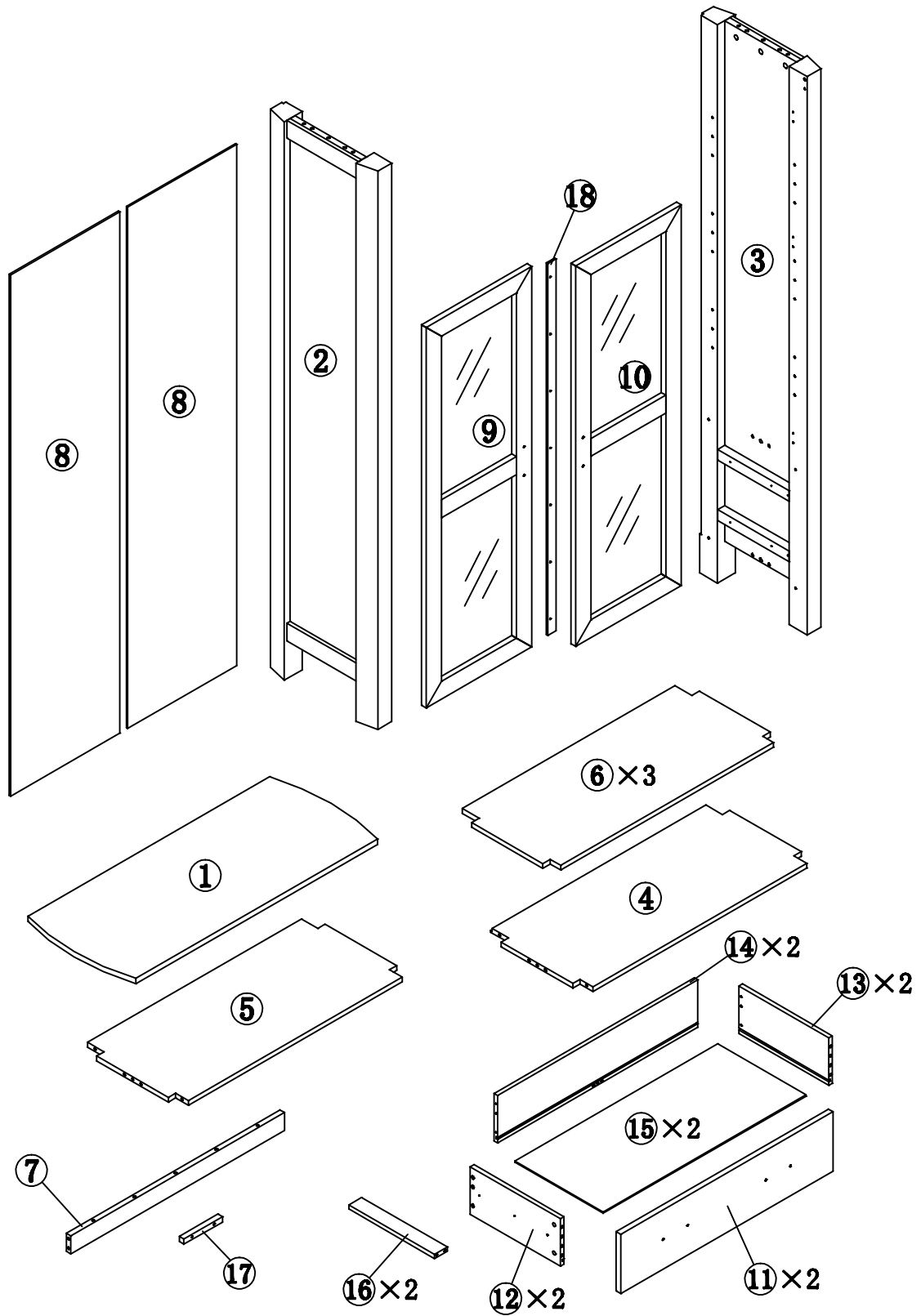


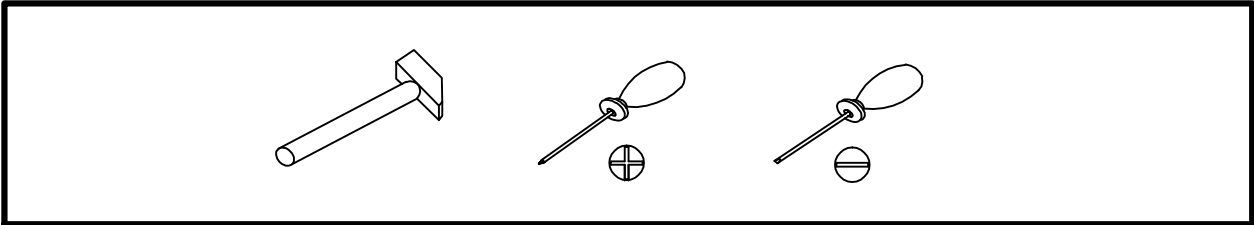
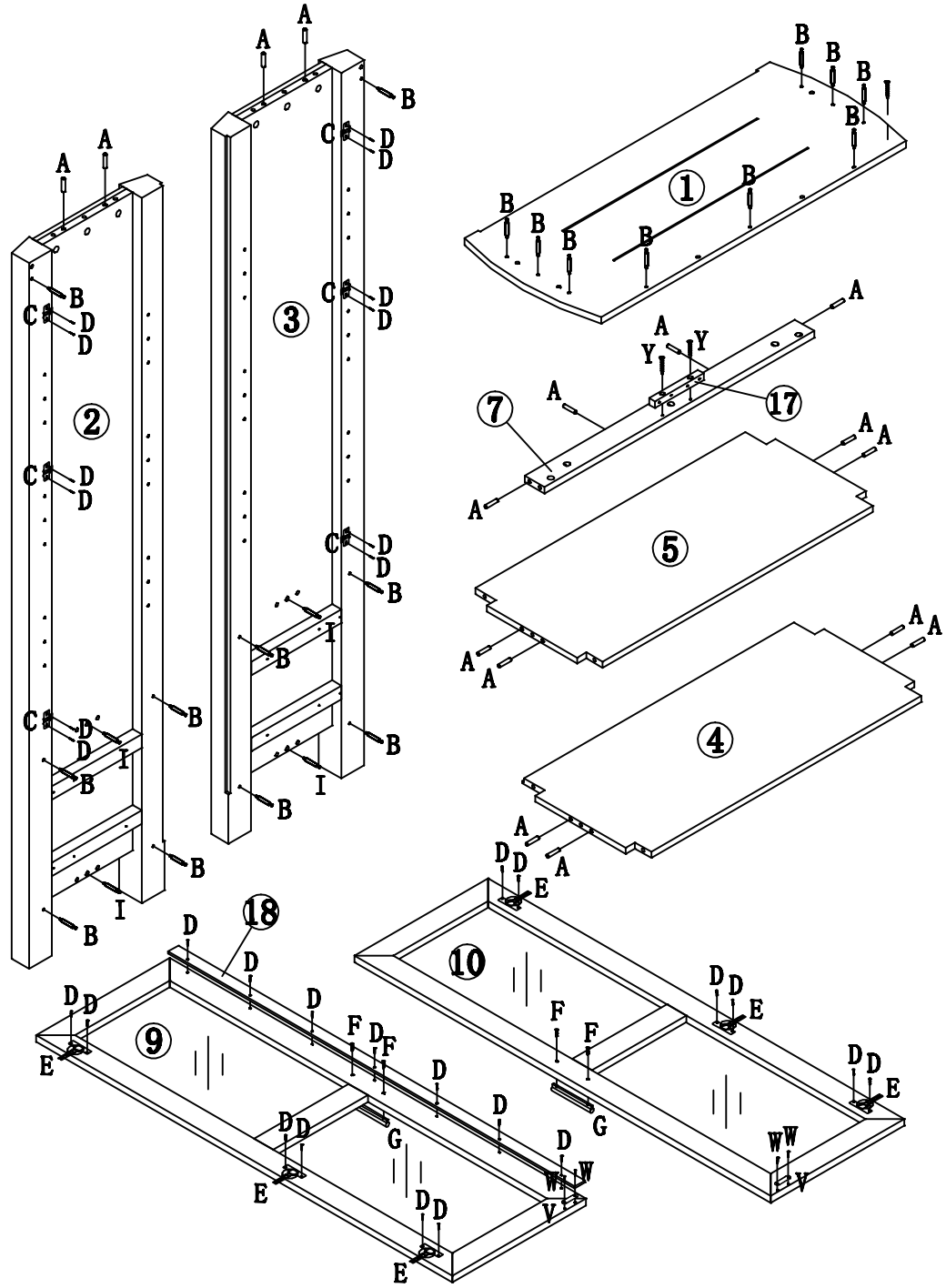
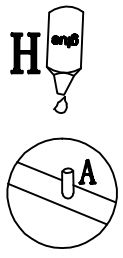
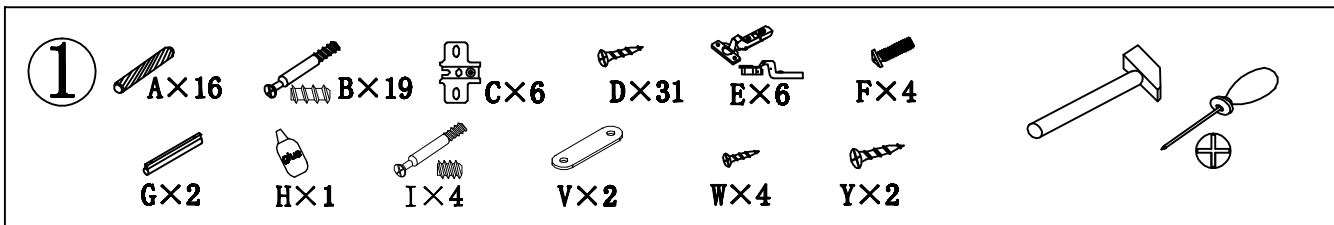
Hardware List

24-A  ø8×40mm	19-B  ø6×43mm	6-C 	43-D  ø4×14mm	6-E 	12-F  ø4×22mm	6-G 
1-H 	4-I  ø6×41mm	4-J  ø3.5×16mm	23-K  ø14.5×12mm	42-L 	4-M  350mm	4-N  350mm
1-O 	12-P  ø5×15mm	12-Q  ø3.5×13mm	8-R  ø6×31mm	8-S  ø12×10mm	14-T  ø4×30mm	2-U 
2-V 	4-W  ø3×12mm	8-X  ø6×30mm	2-Y  ø4×25mm	6-Z 		

Parts List

Item No.	Description	Quantity	Remarks
1	Top	1	
2	Left side panel	1	
3	Right side panel	1	
4	Bottom	1	
5	Fixed shelf	1	
6	Adjustable shelf	3	
7	Front top belt	1	
8	Back panel	2	
9	Left door	1	
10	Right door	1	
11	Drawer front	2	
12	Drawer left side	2	
13	Drawer right side	2	
14	Drawer back	2	
15	Drawer bottom	2	
16	Drawer bottom rail	2	
17	Door stopper	1	
18	Door Article seam	1	





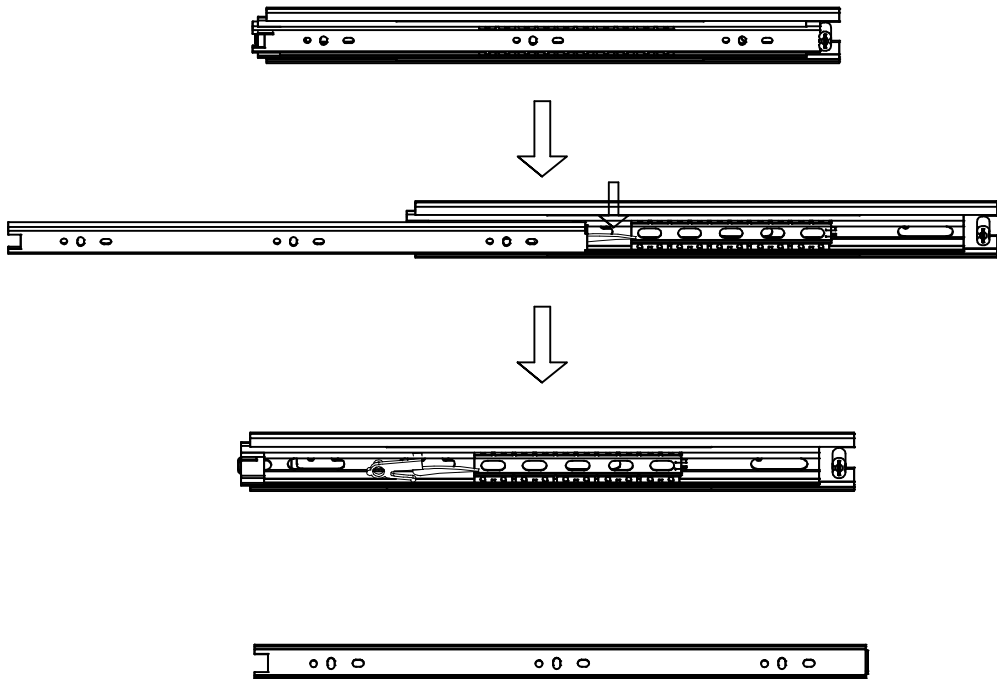
2



M×4



N×4



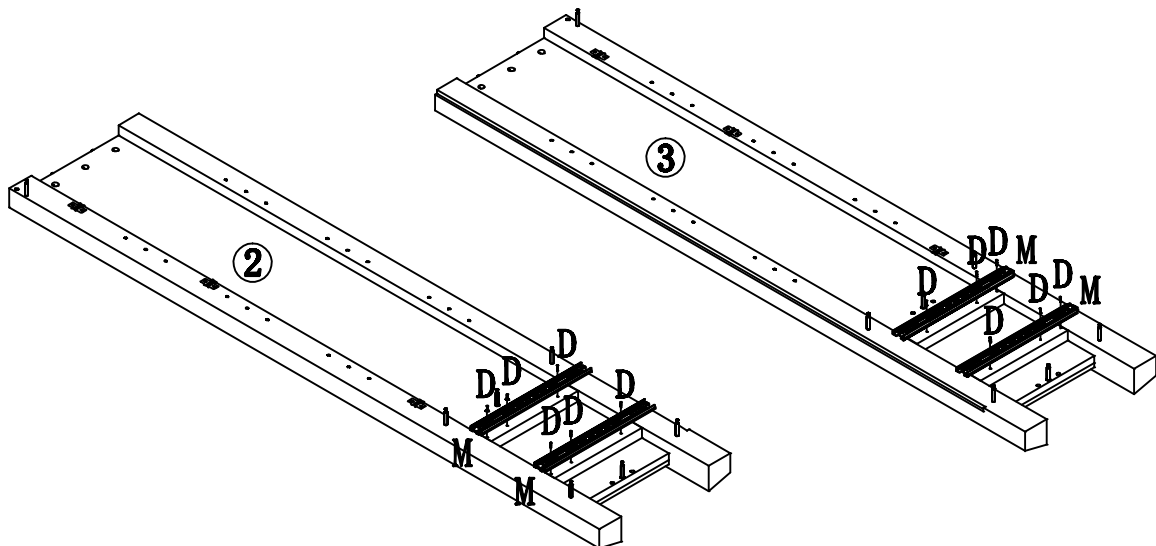
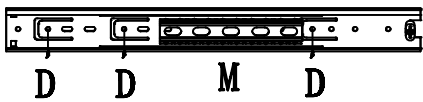
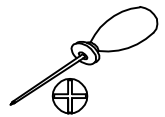
3



M×4

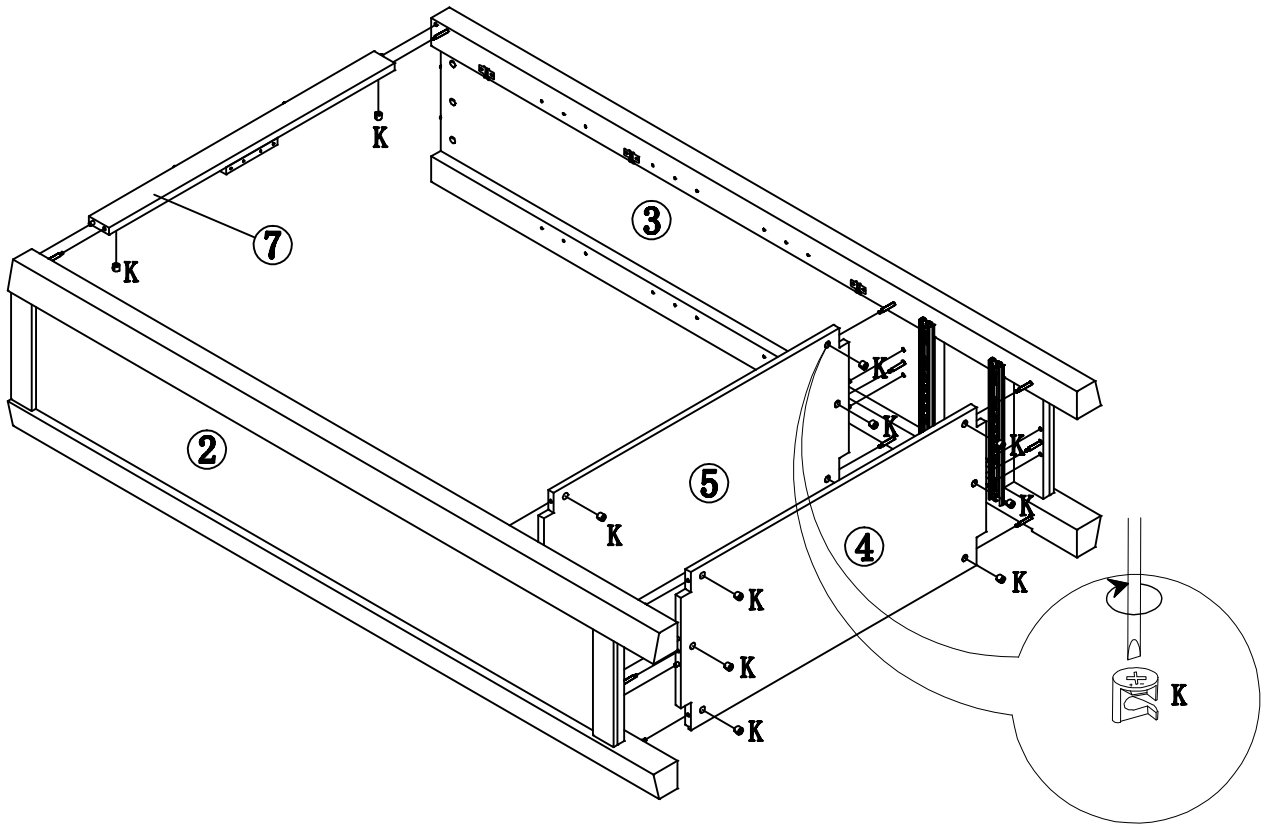
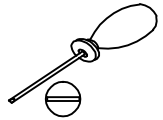


D×12



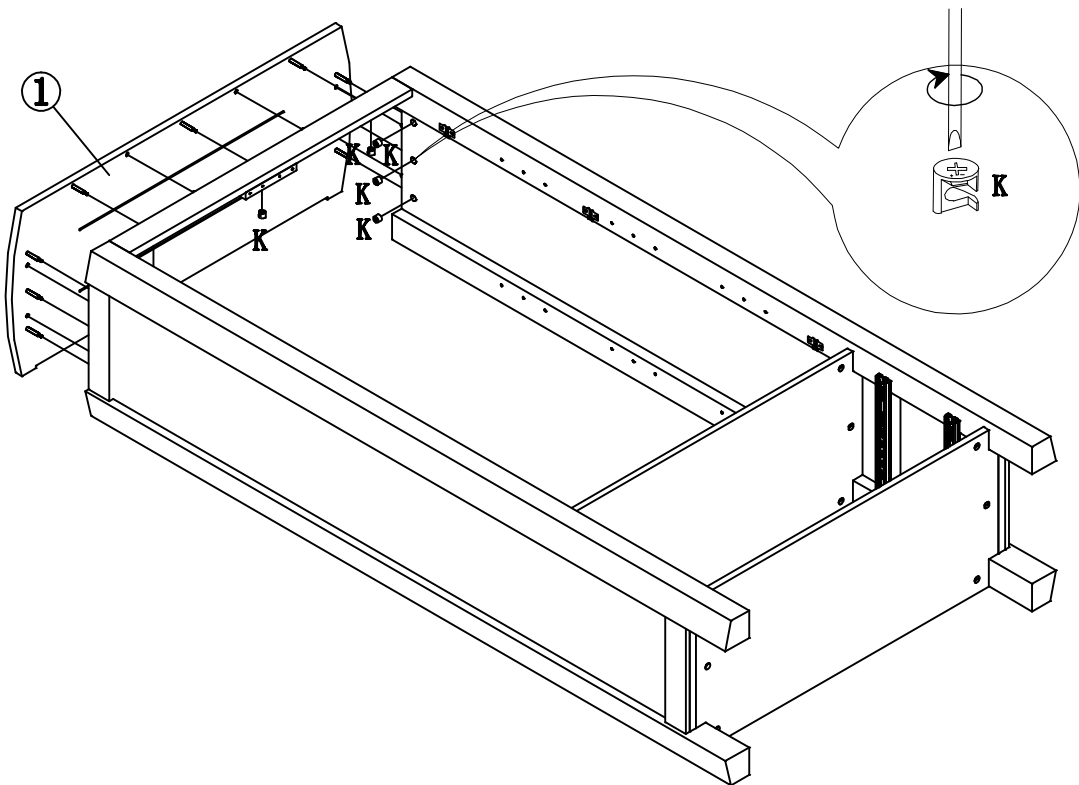
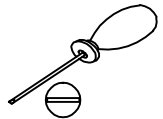
4

 K×14



5

 K×9



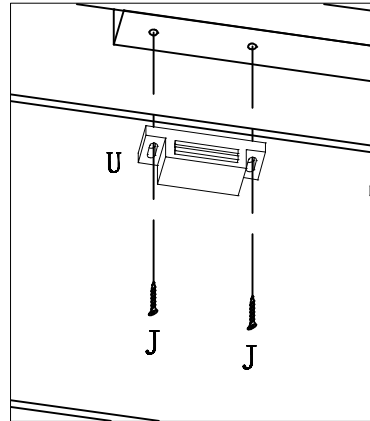
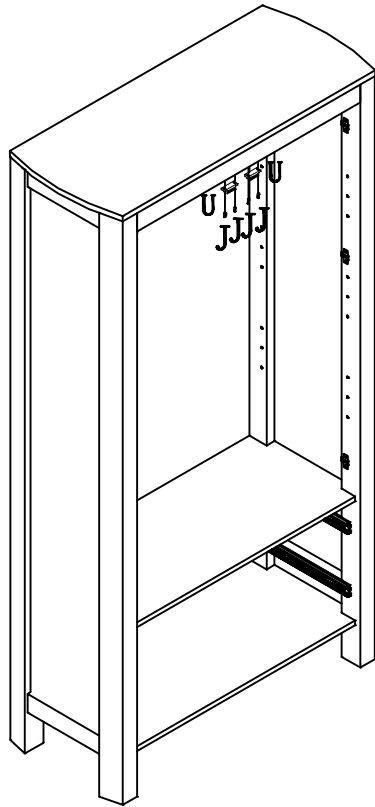
6



U×2



J×4



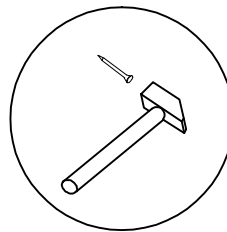
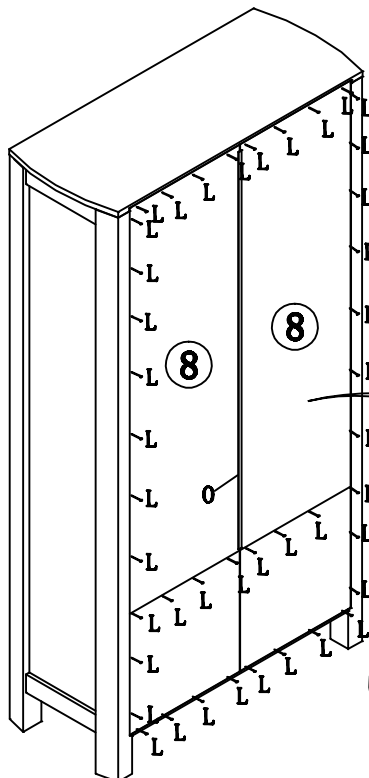
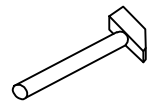
7



L×42



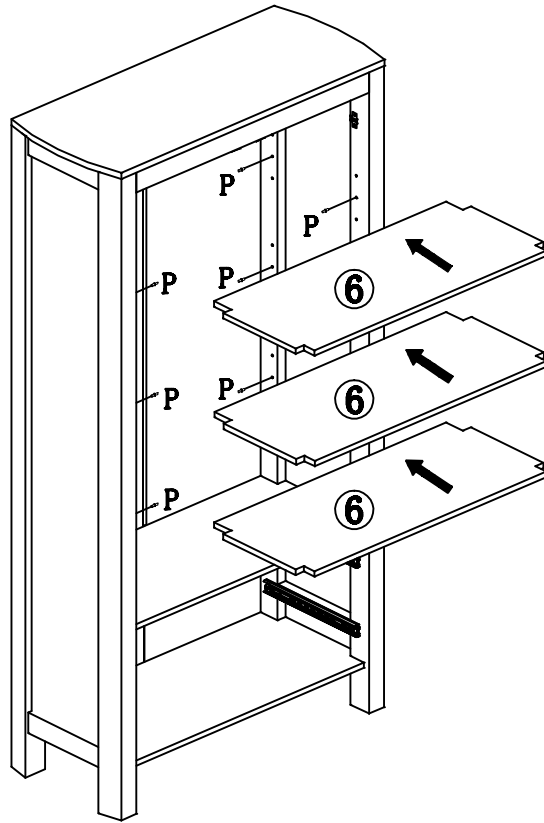
0×1



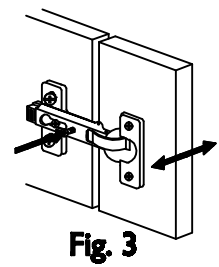
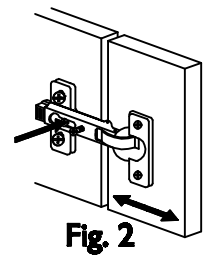
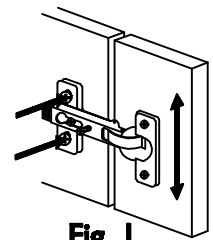
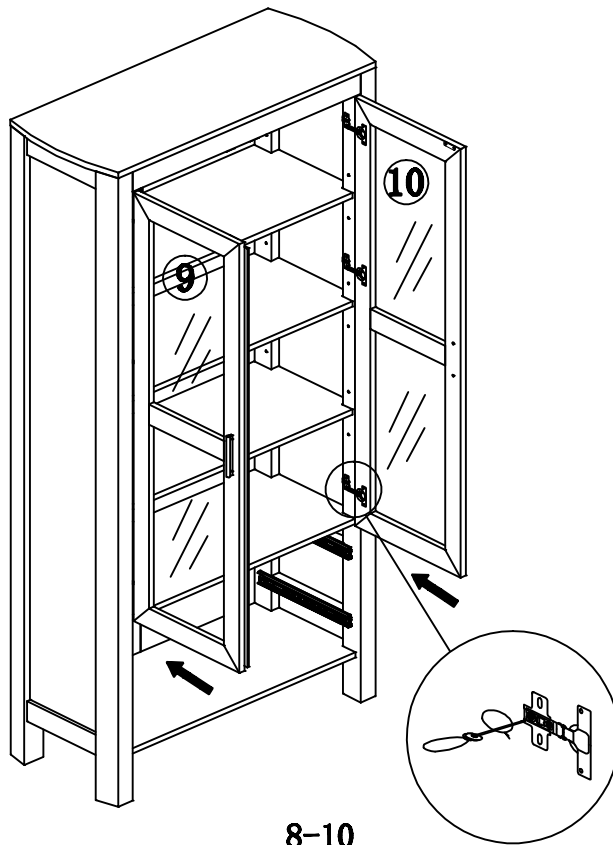
Note: Before fixing the back panel, please make sure the diagonals of the back panel have the same length.

8


P×12



9



8-10

10



N×4



Q×12



R×8



S×8



A×8



T×14



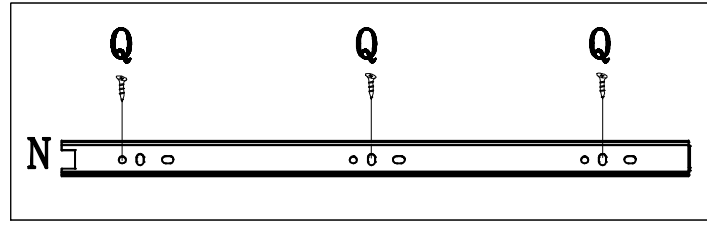
F×8



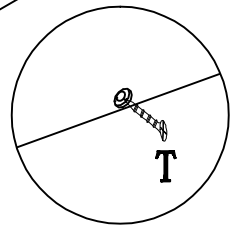
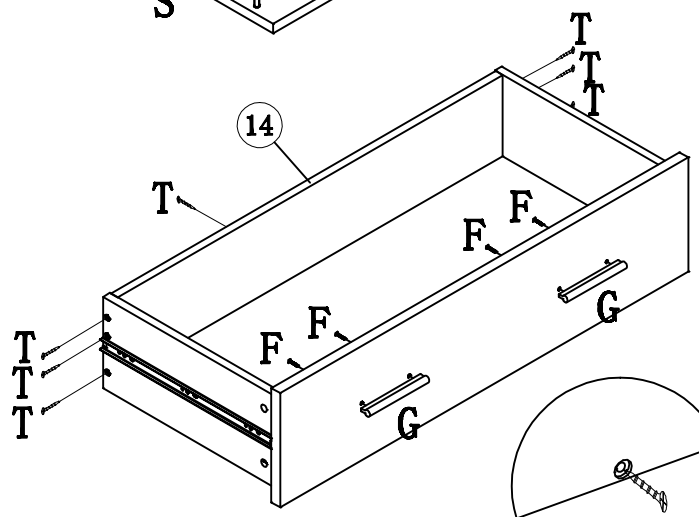
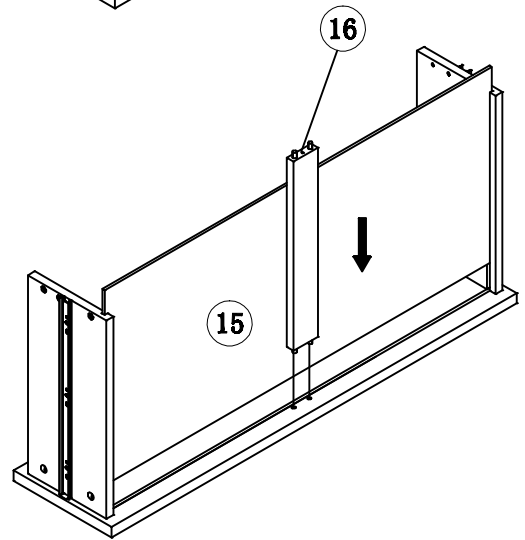
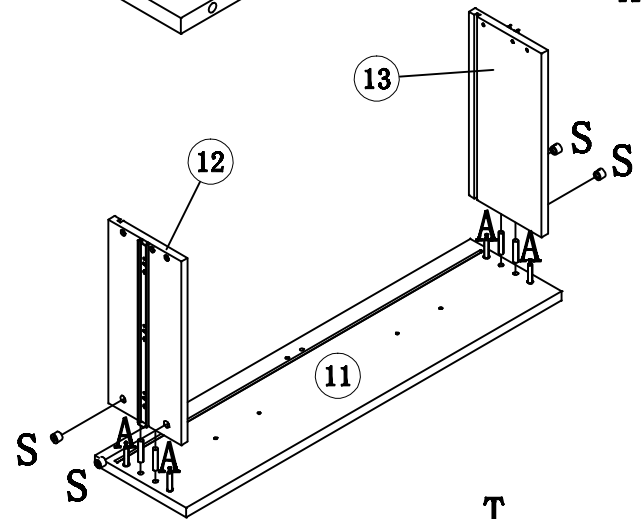
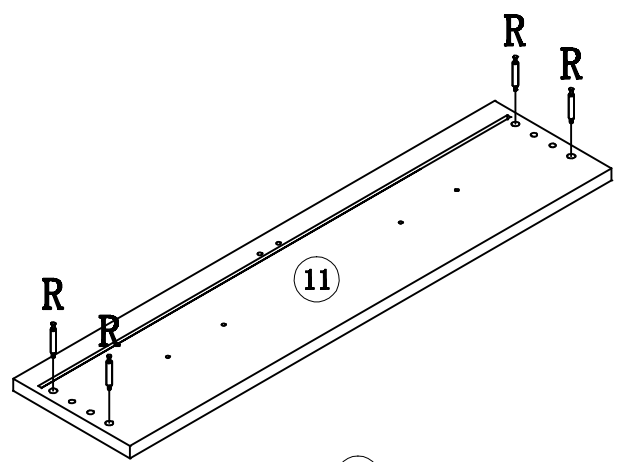
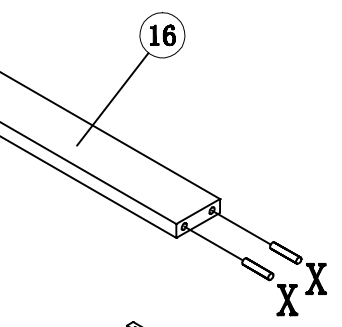
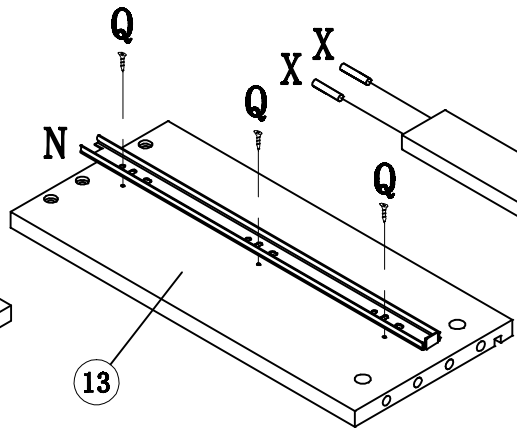
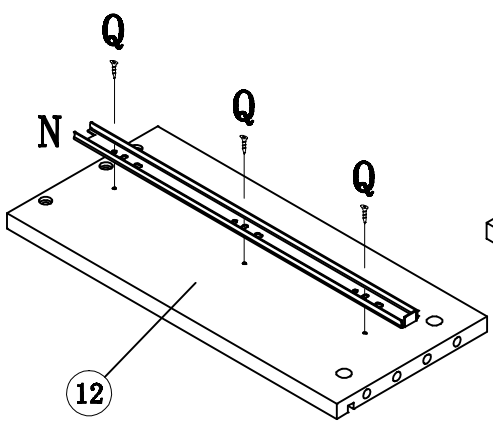
G×4



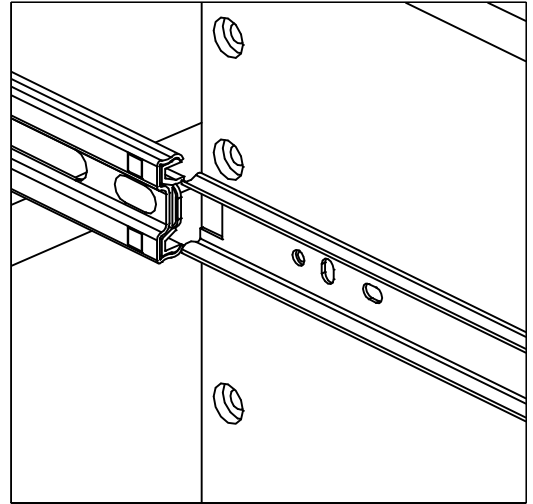
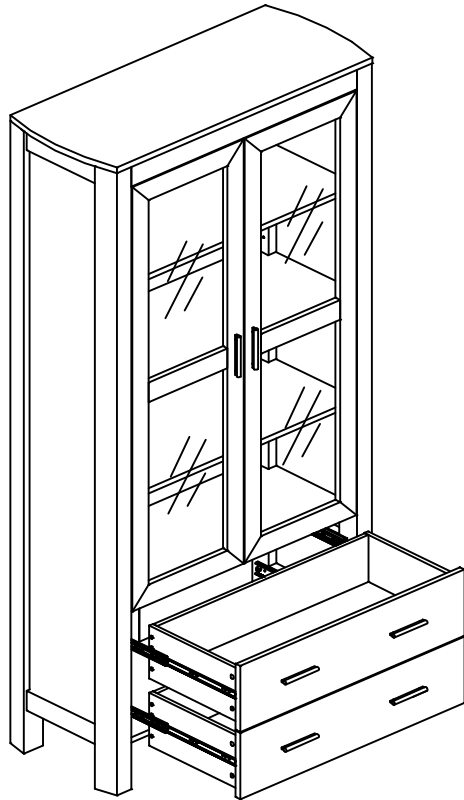
X×8



× 2



11



12


Z×6

