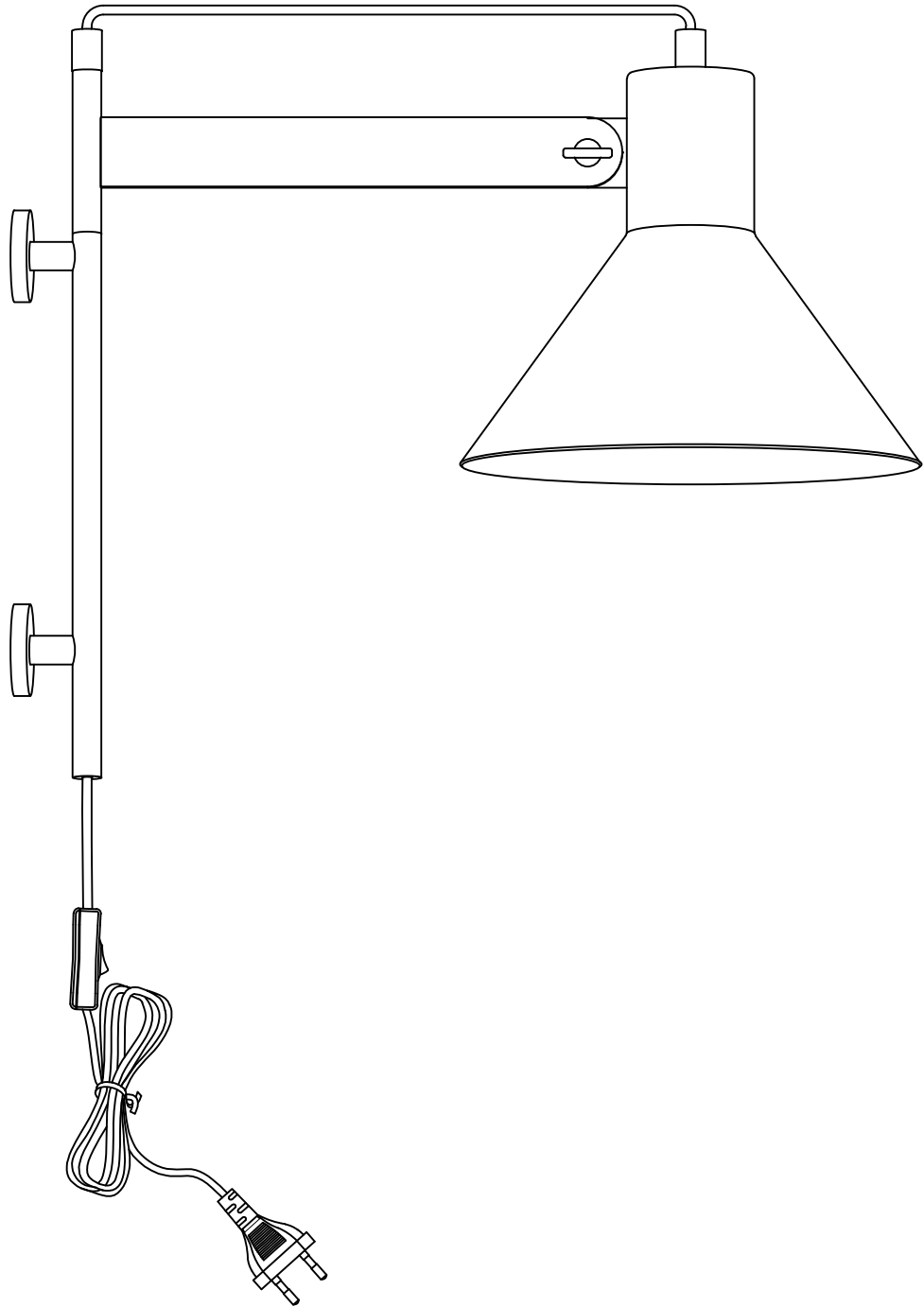
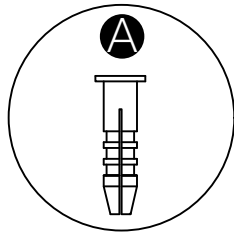
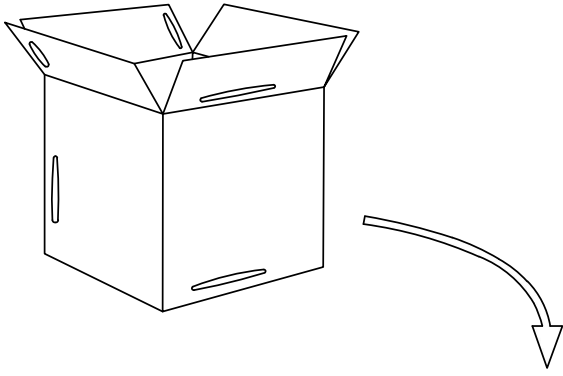


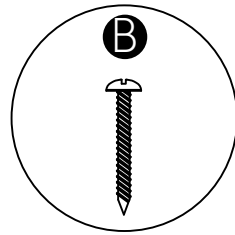
# Studio Wall Lamp



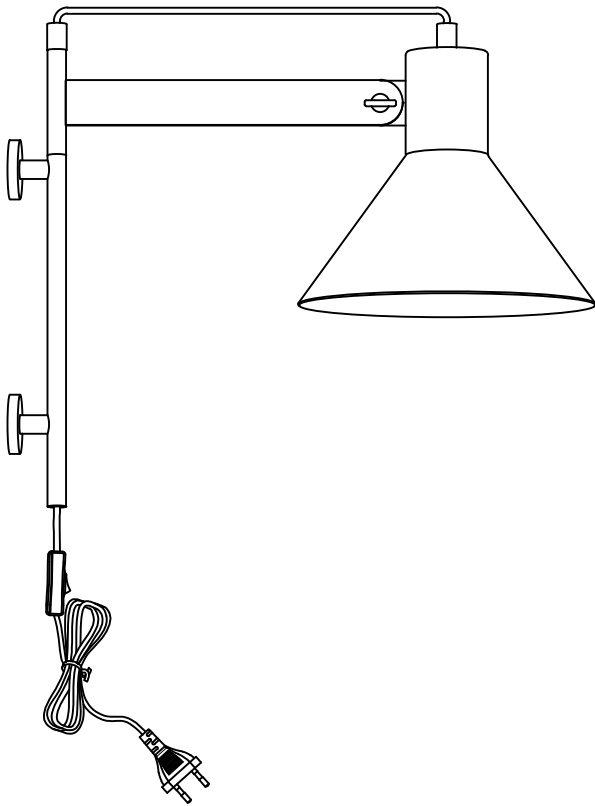
Hübsch  
DANISH HOME INTERIOR & DESIGN



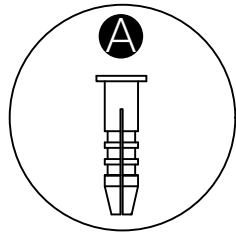
x 2



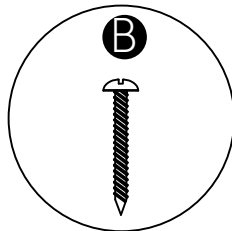
x 2



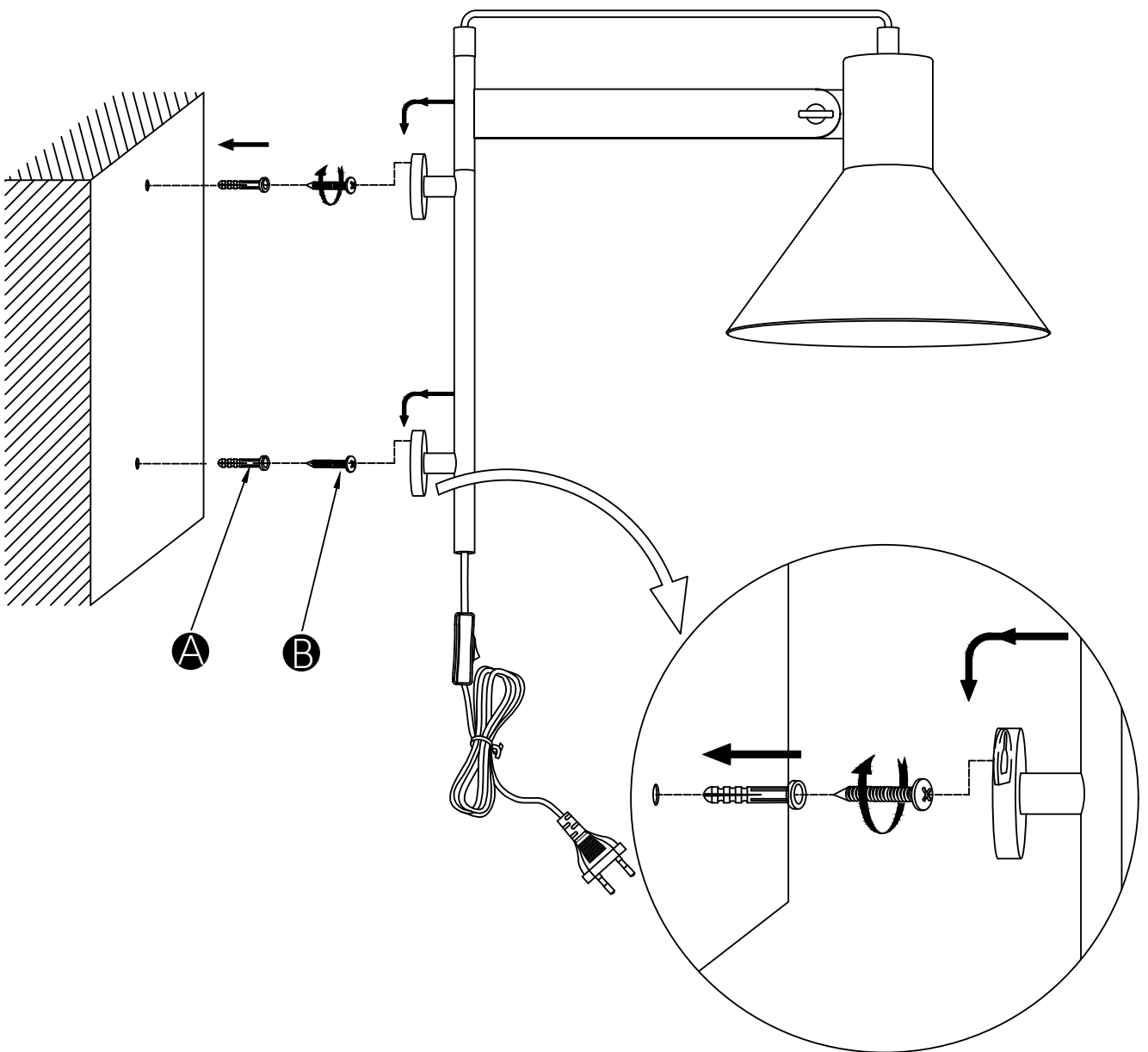
x 1

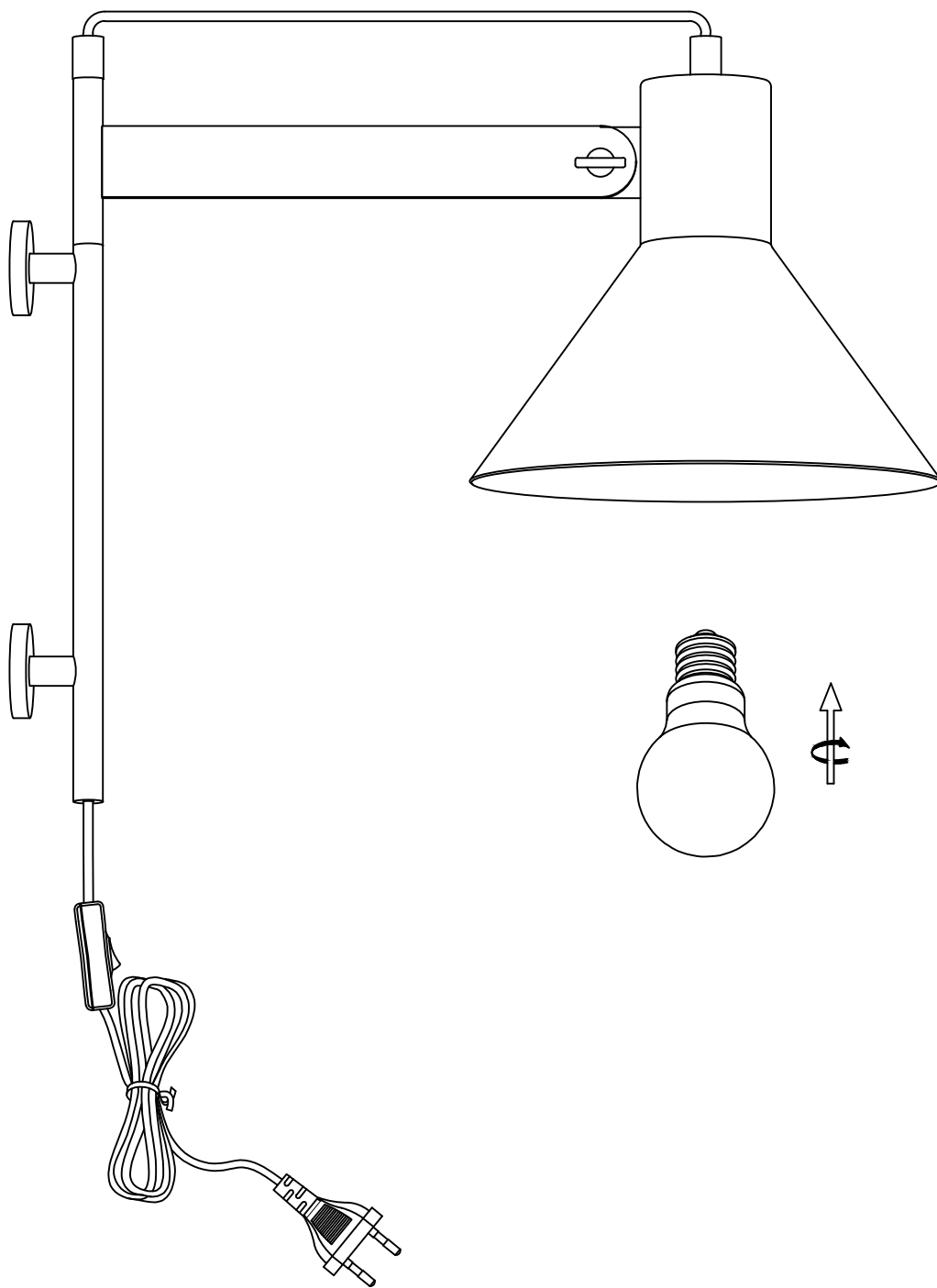


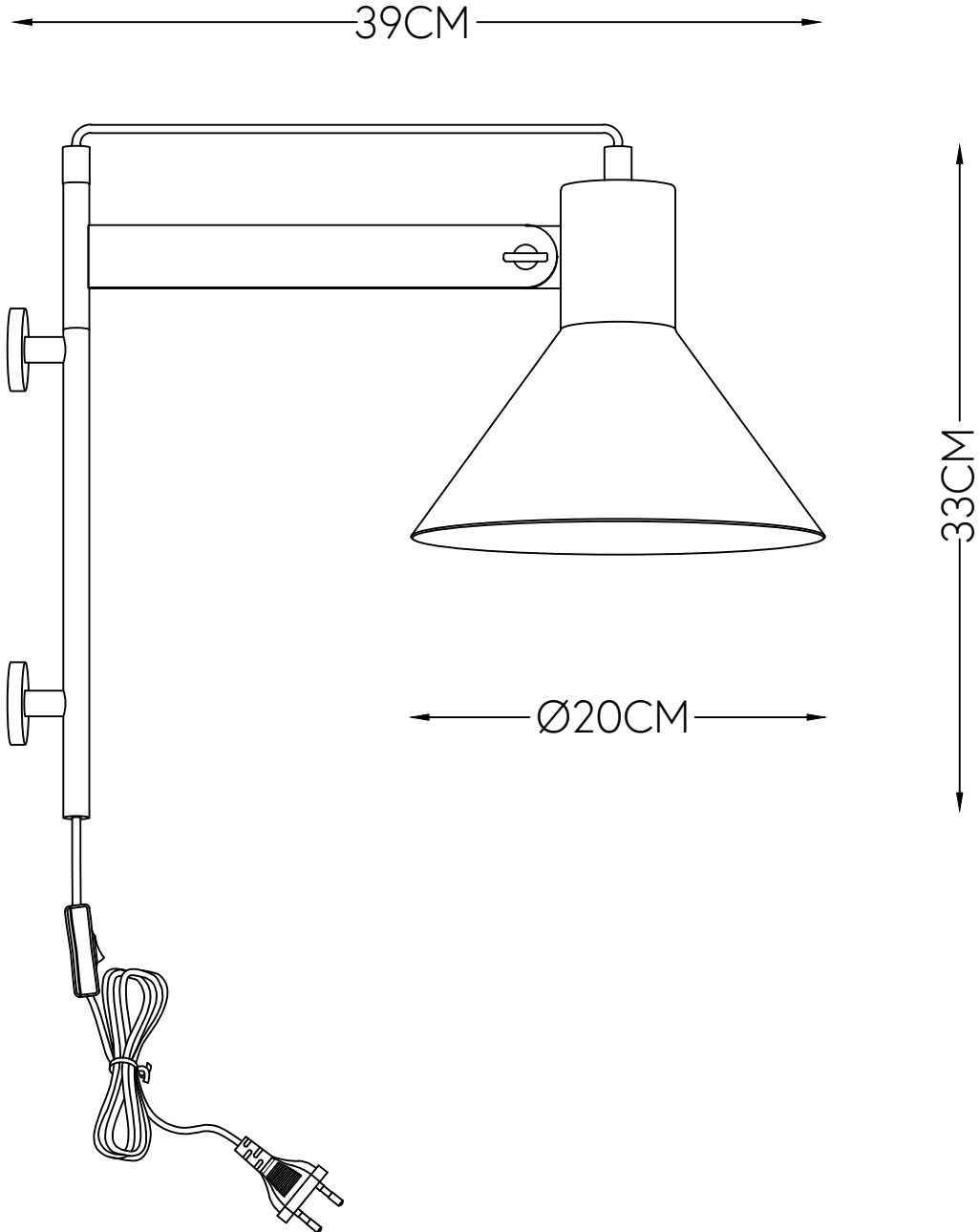
x 2



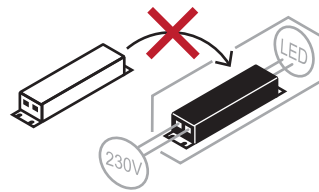
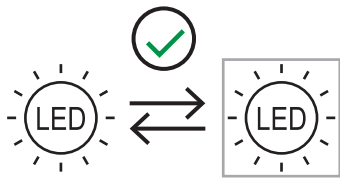
x 2









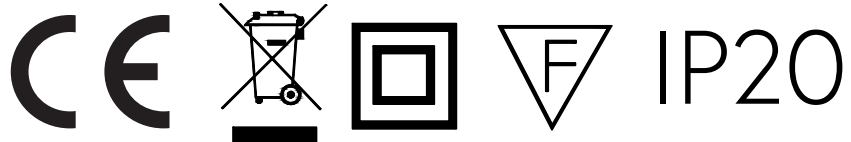


Model number:991911

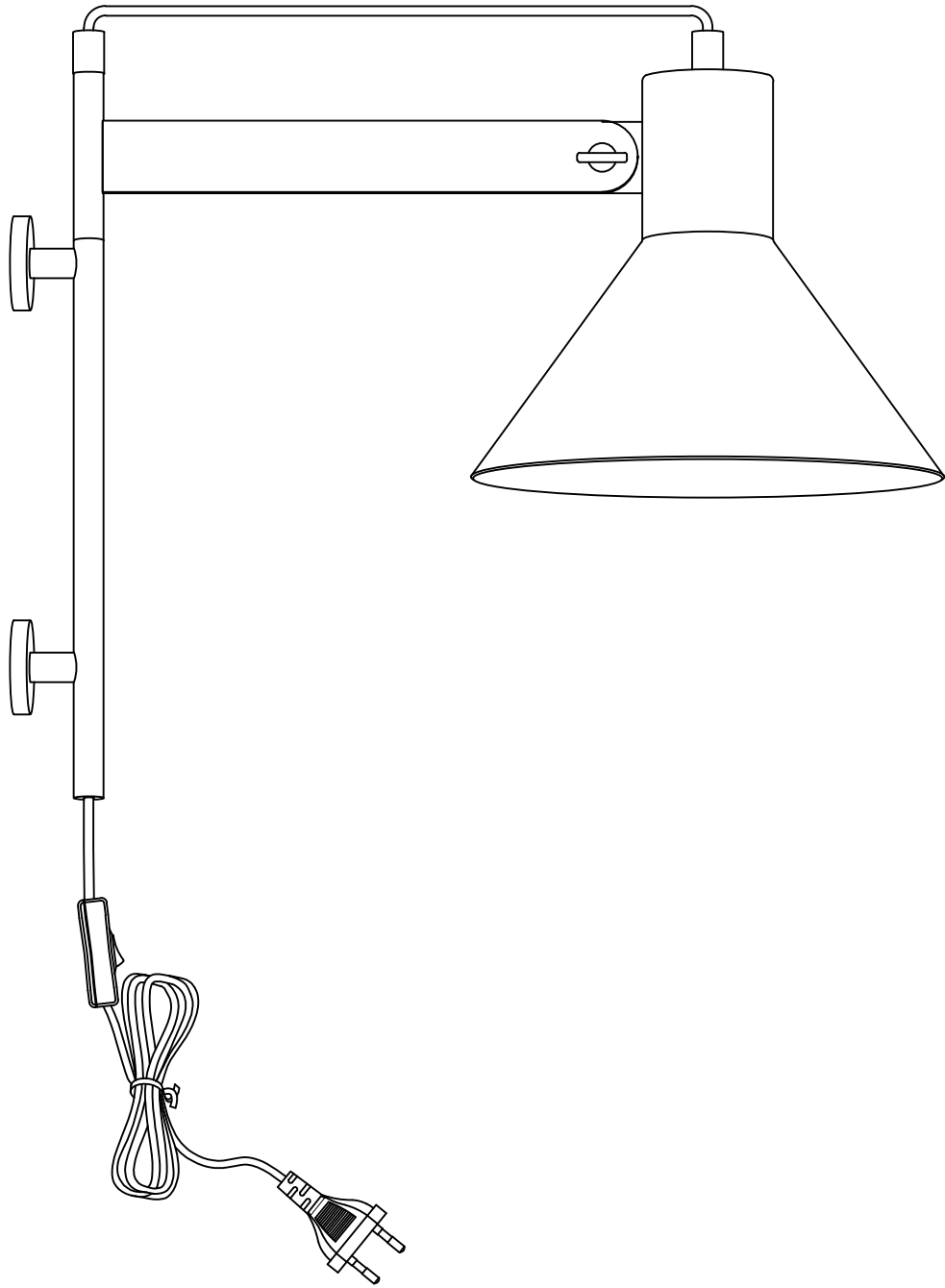
220-240V~50Hz

E27 MAX.15W LED Bulb

Hübsch A/S,Hi-Park 381,DK-7400 Herning



[hubsch-interior.com](http://hubsch-interior.com)



#myhubsch @hubschinterior

Hübsch  
DANISH HOME INTERIOR & DESIGN