

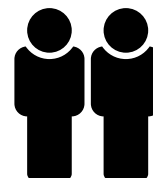
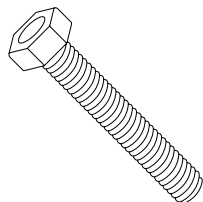
Arendal

bed

x1



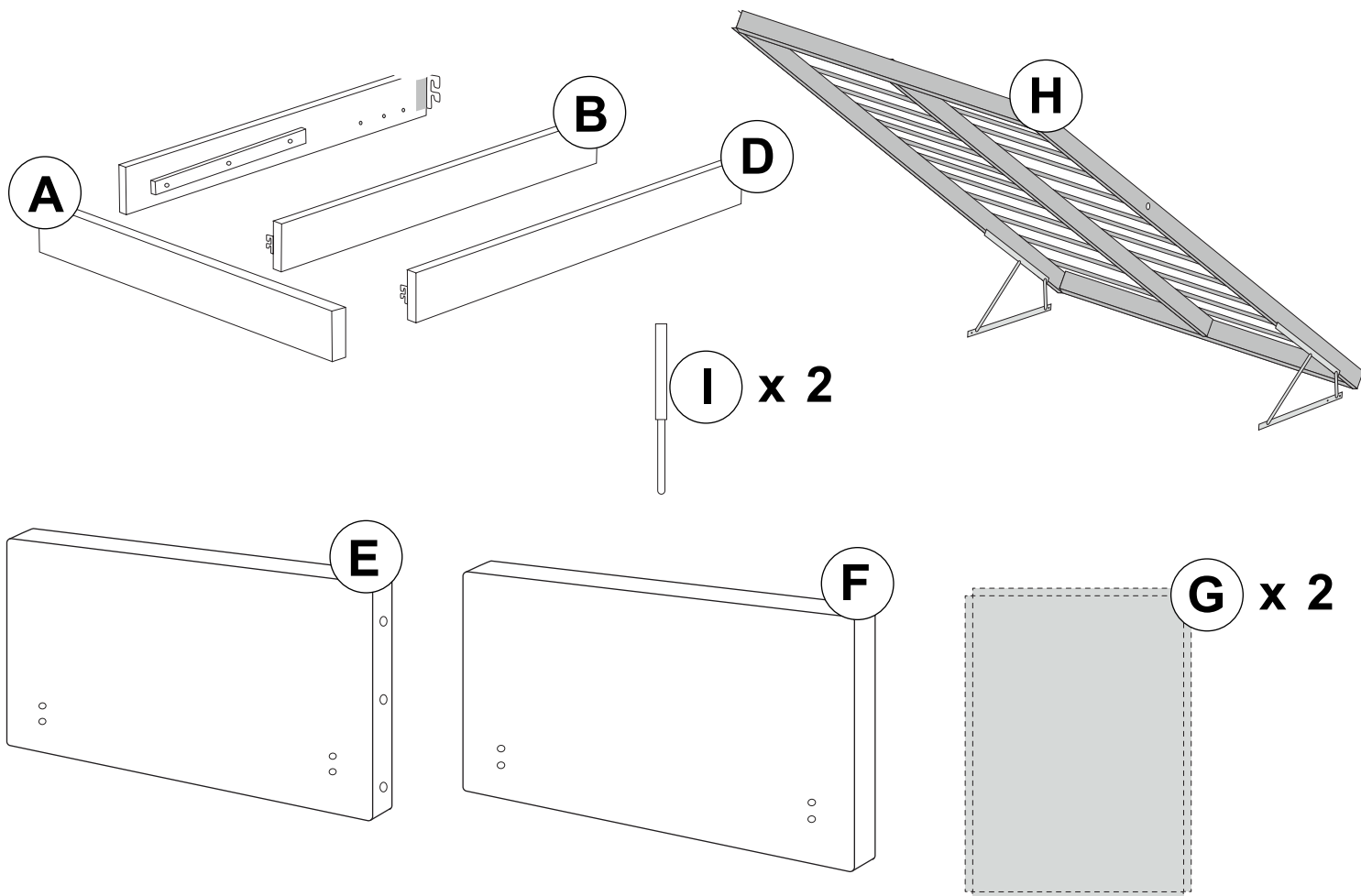
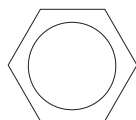
x9



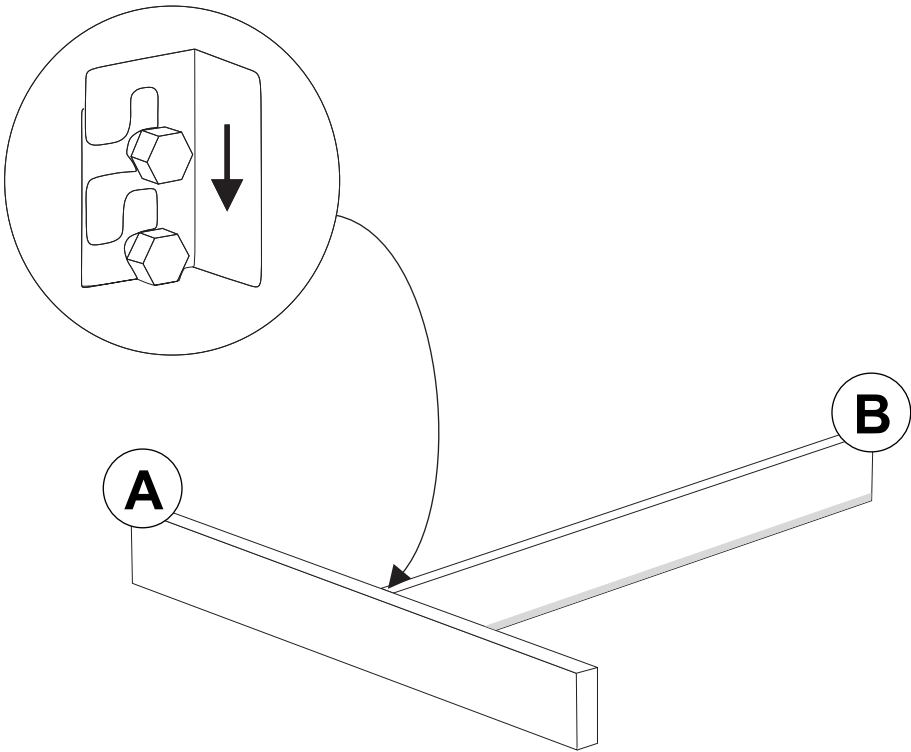
x13



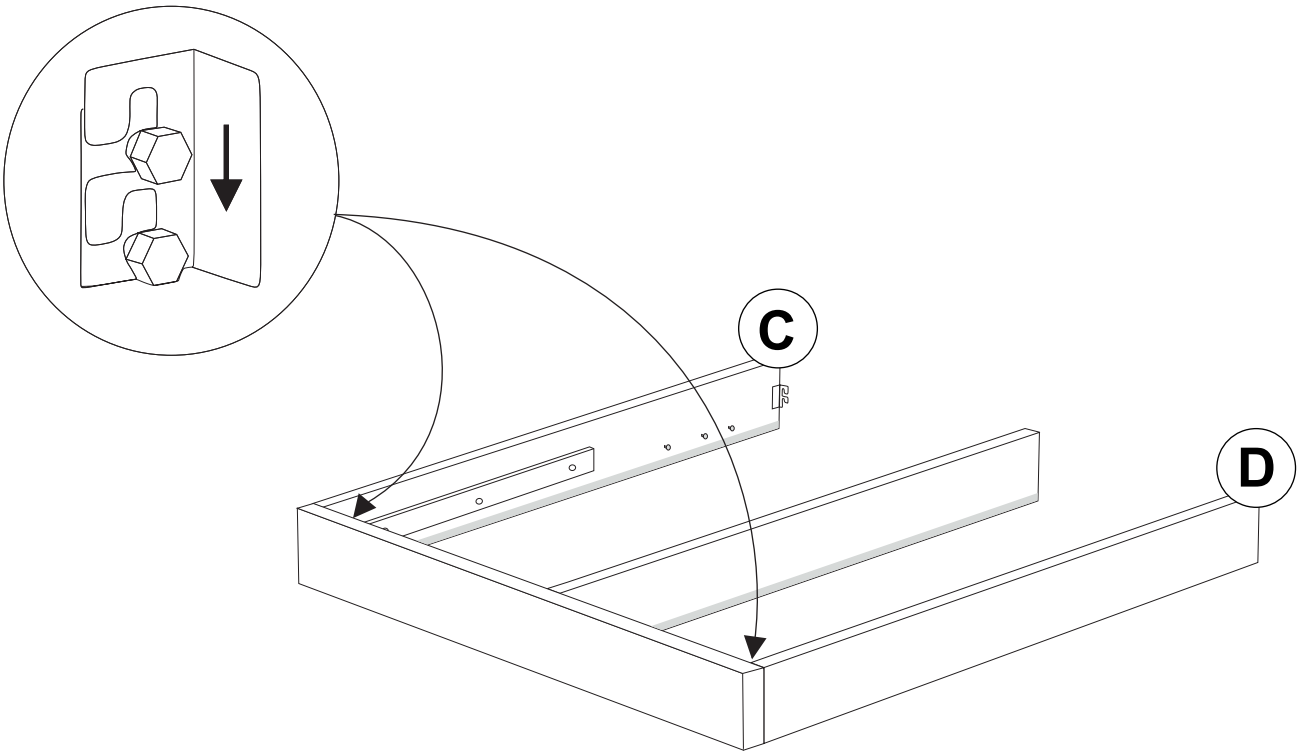
x7



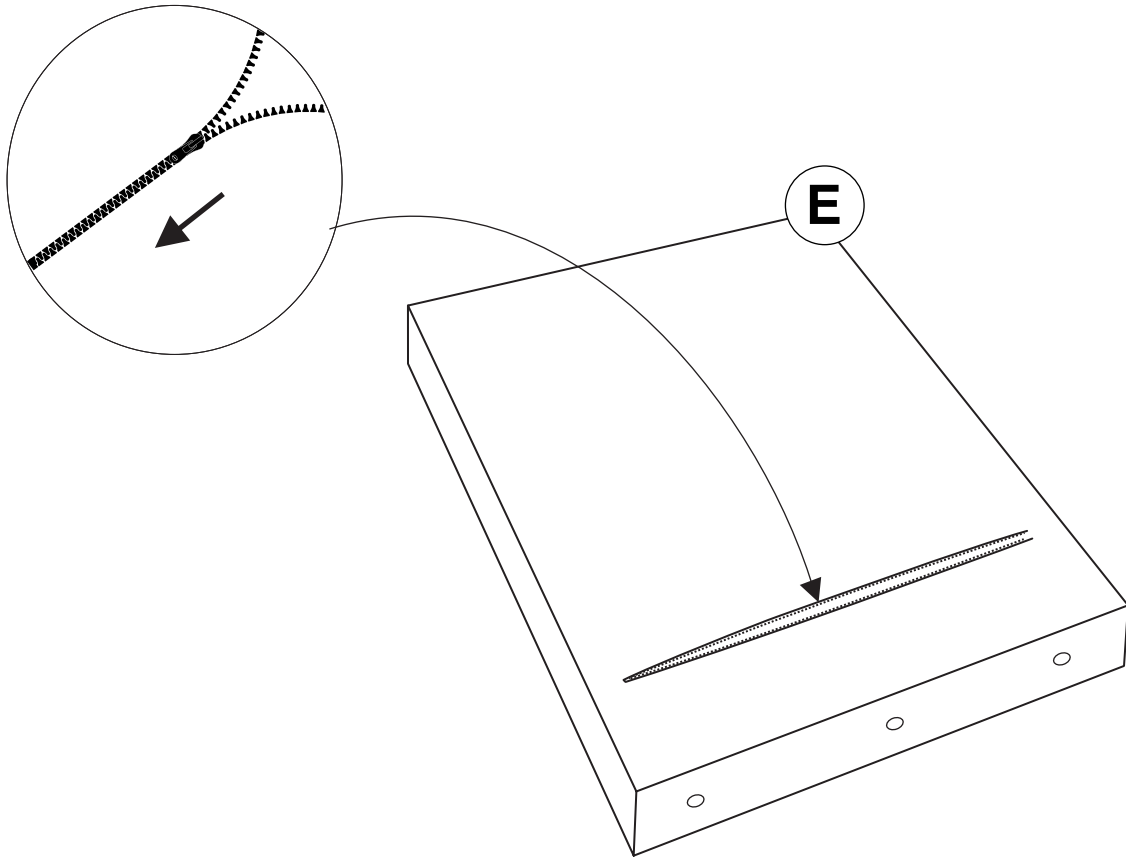
1



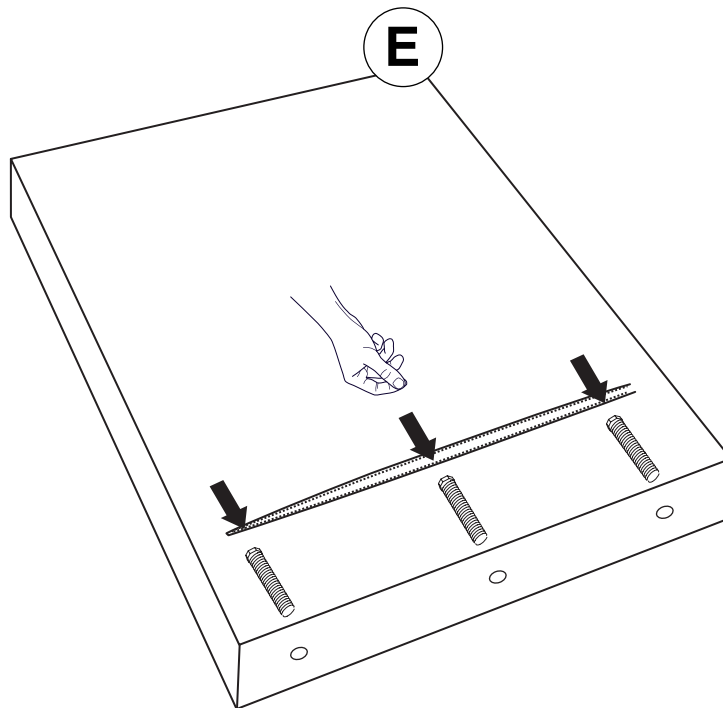
2



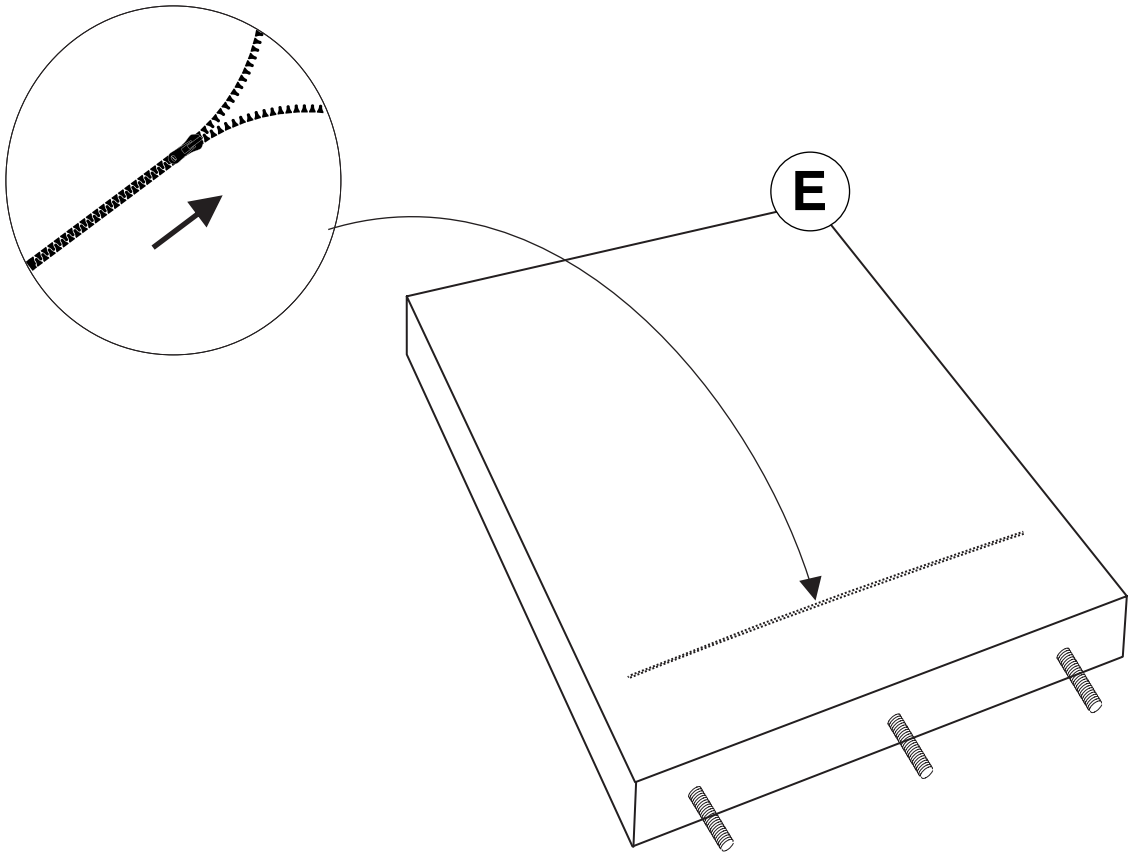
3



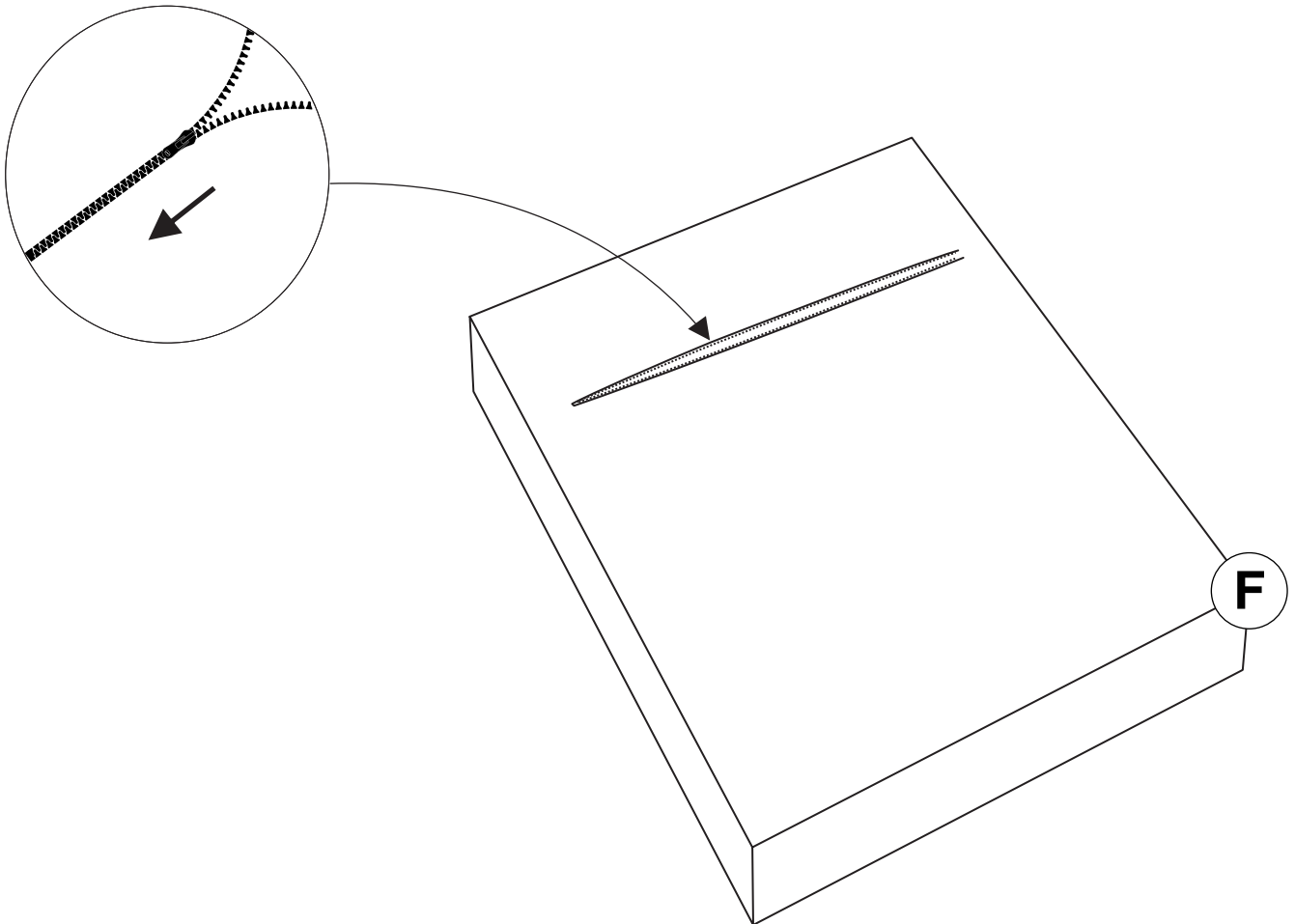
4



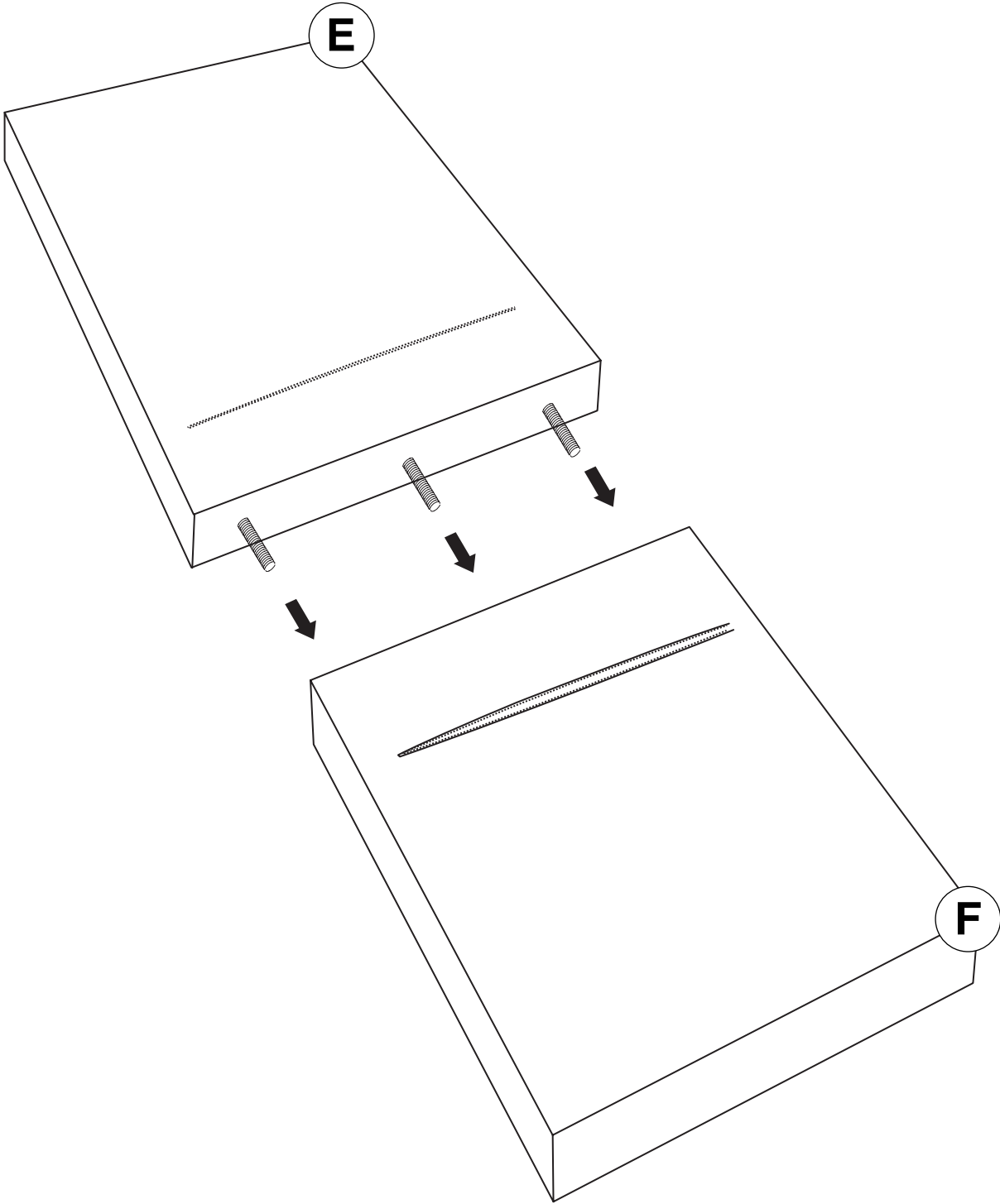
5



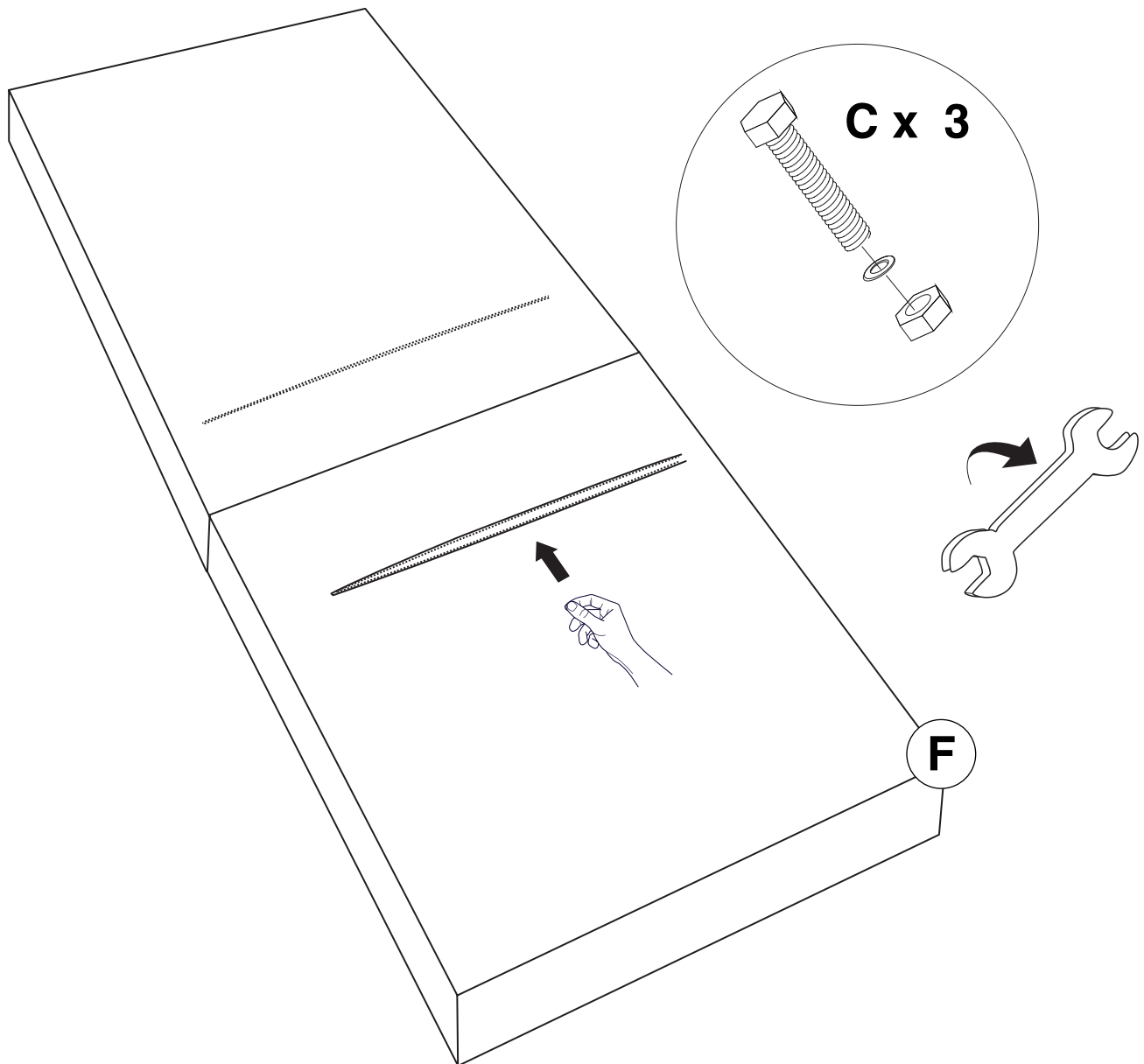
6



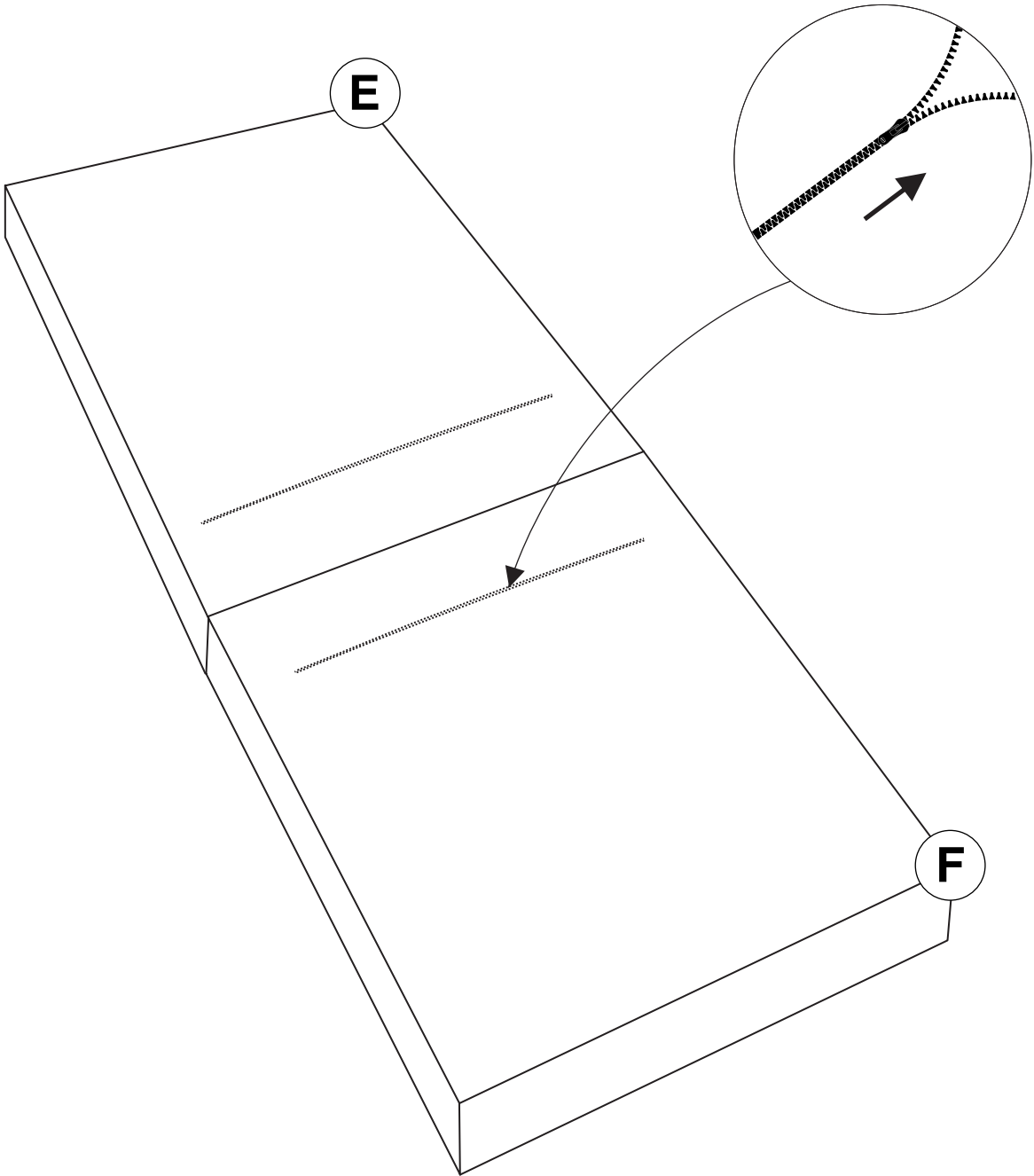
7



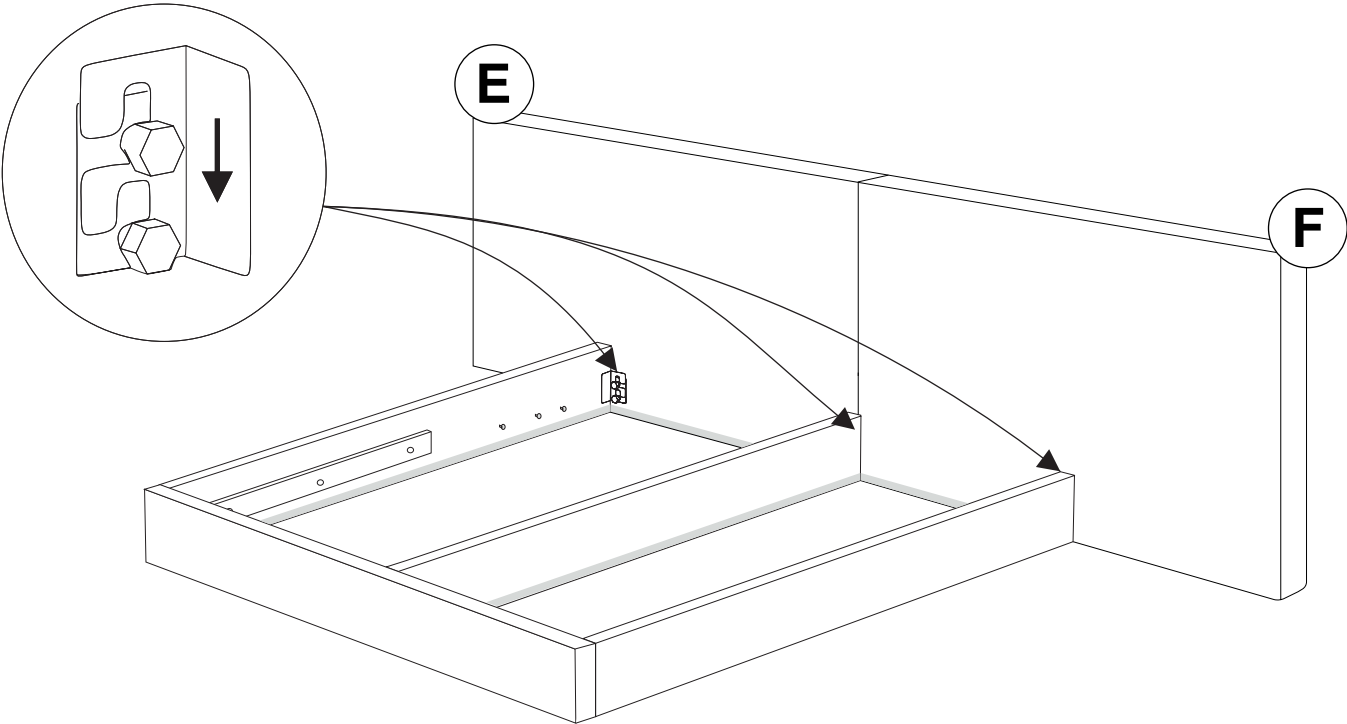
8



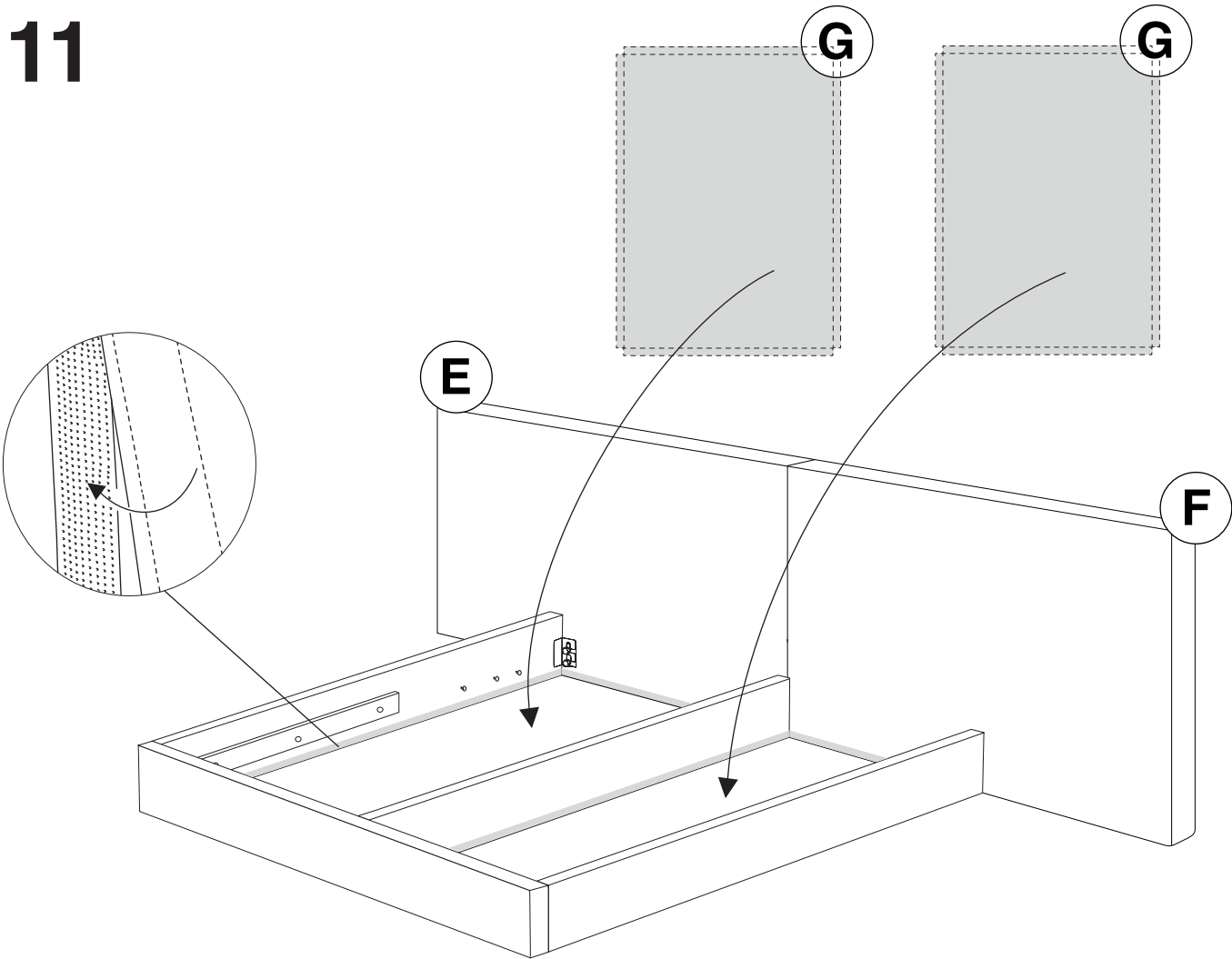
9



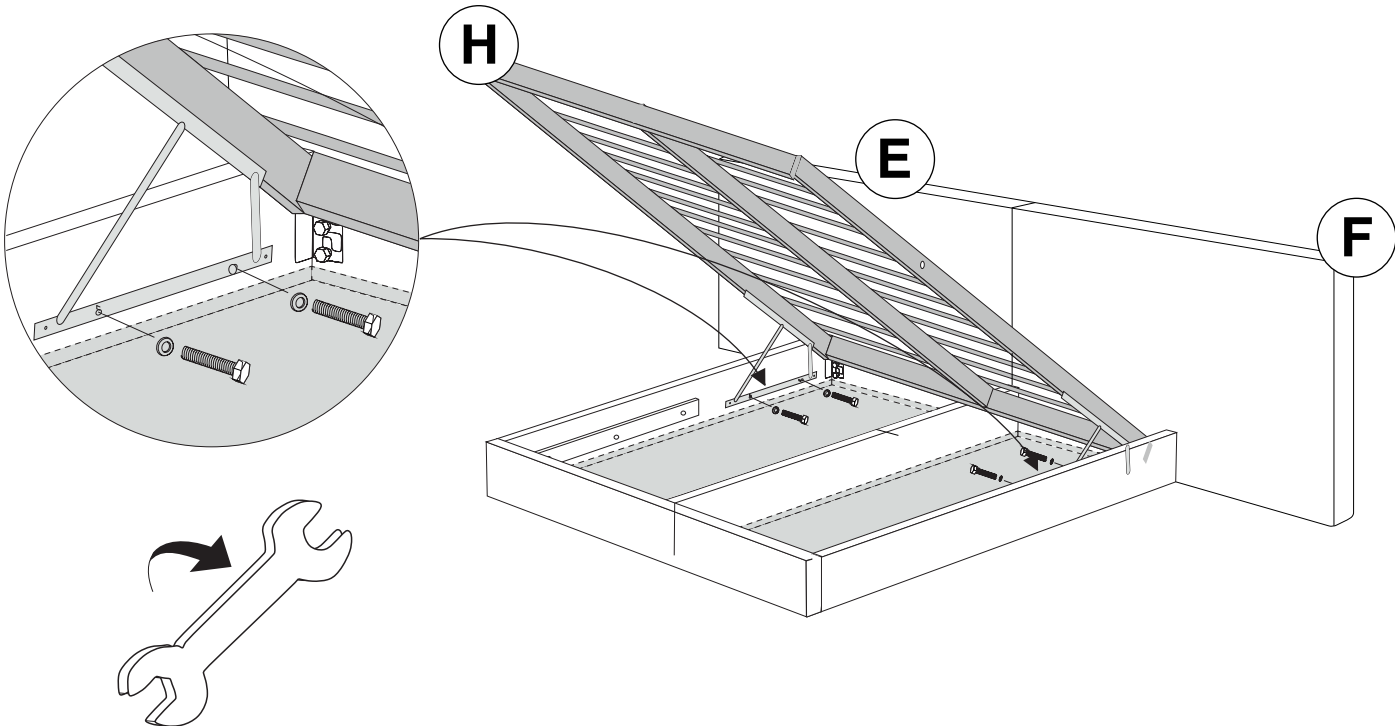
10



11

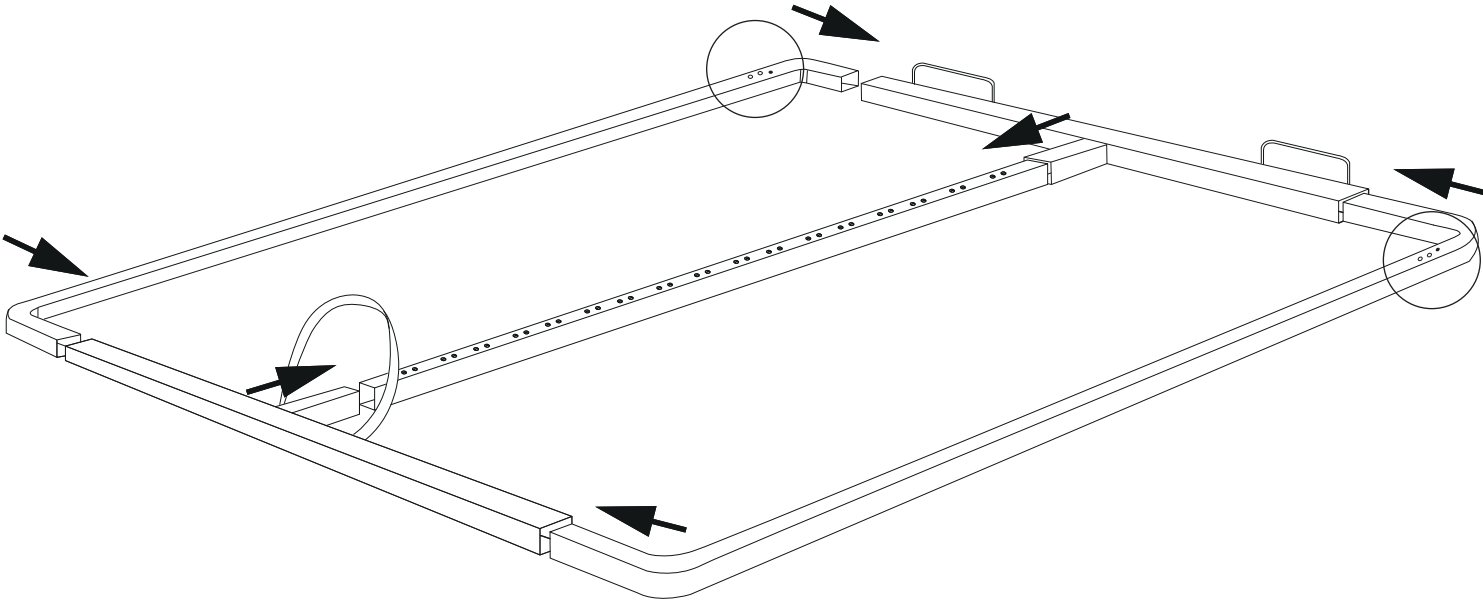


12



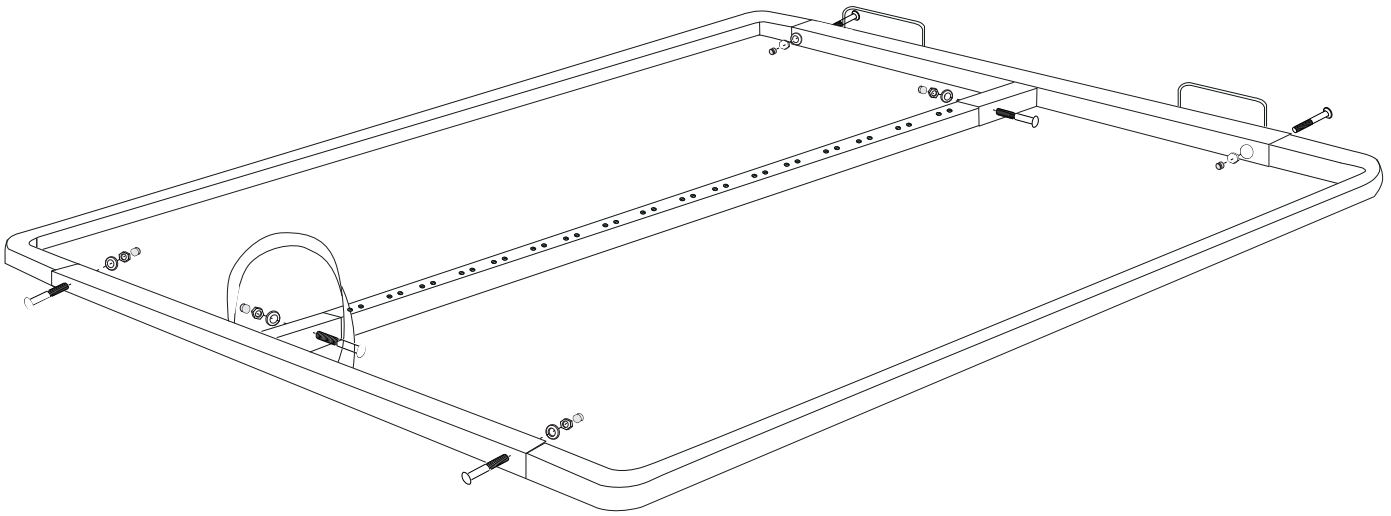
* do not overtighten the screws

13

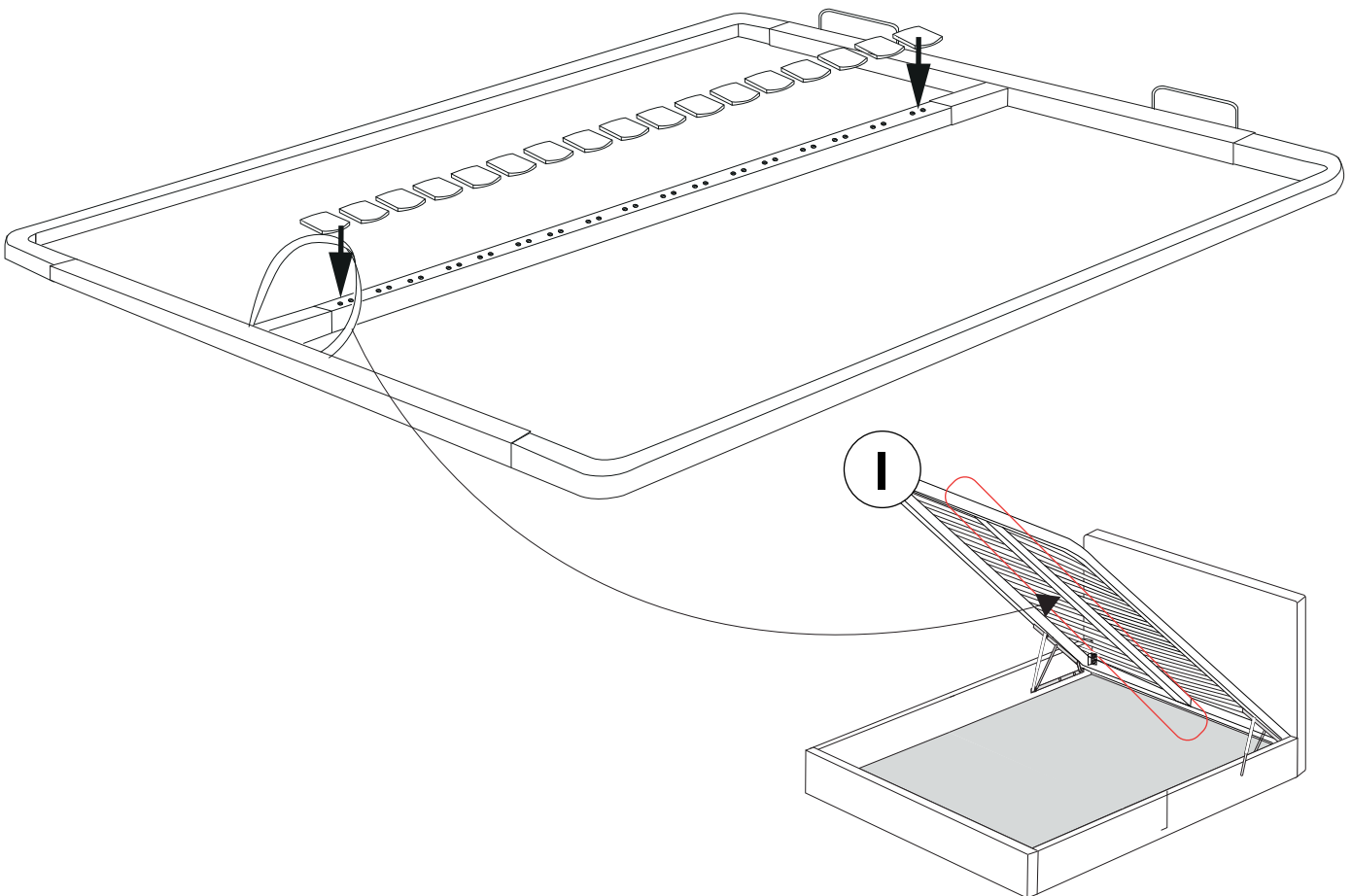


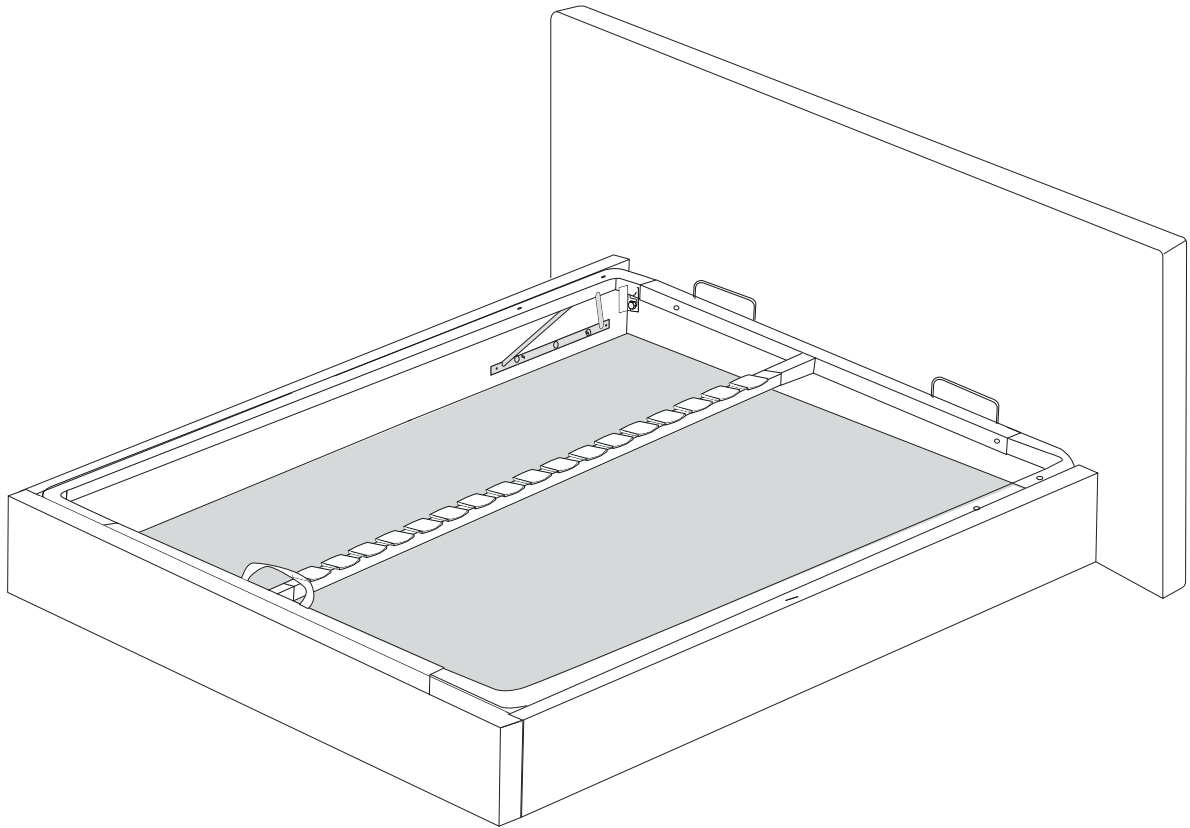
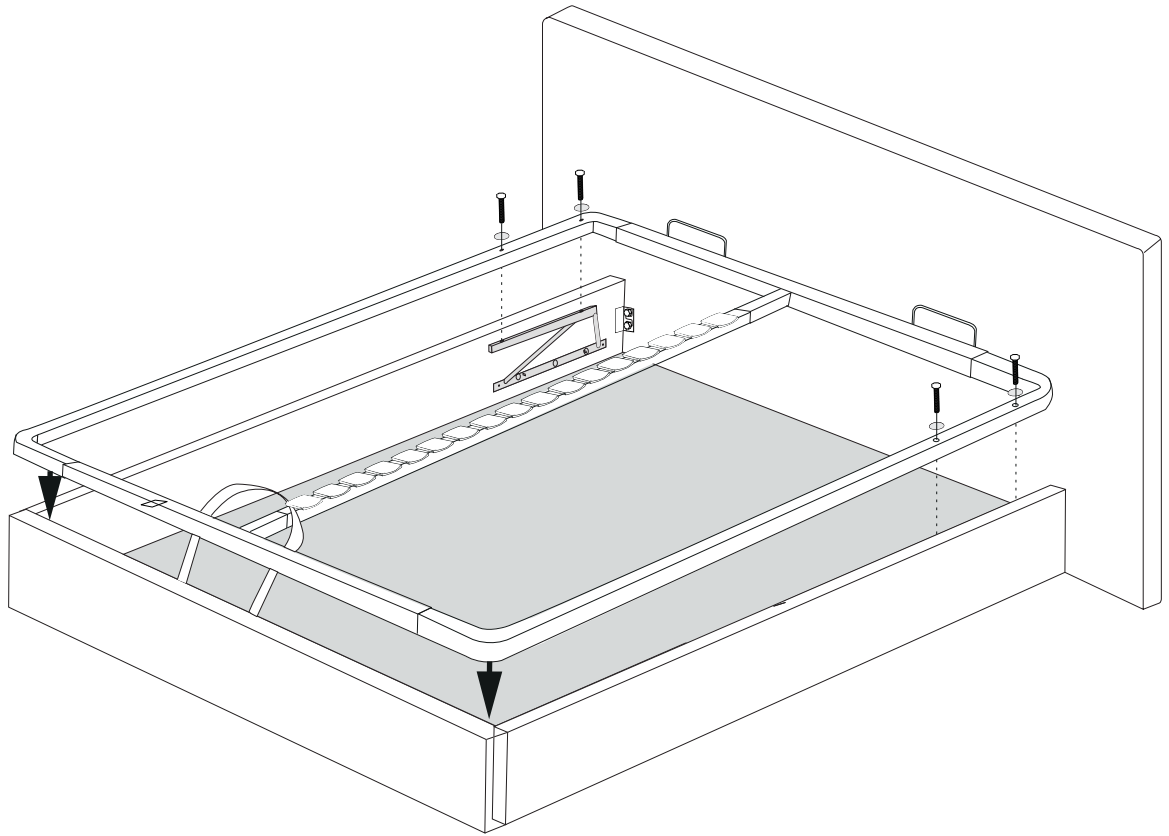
14

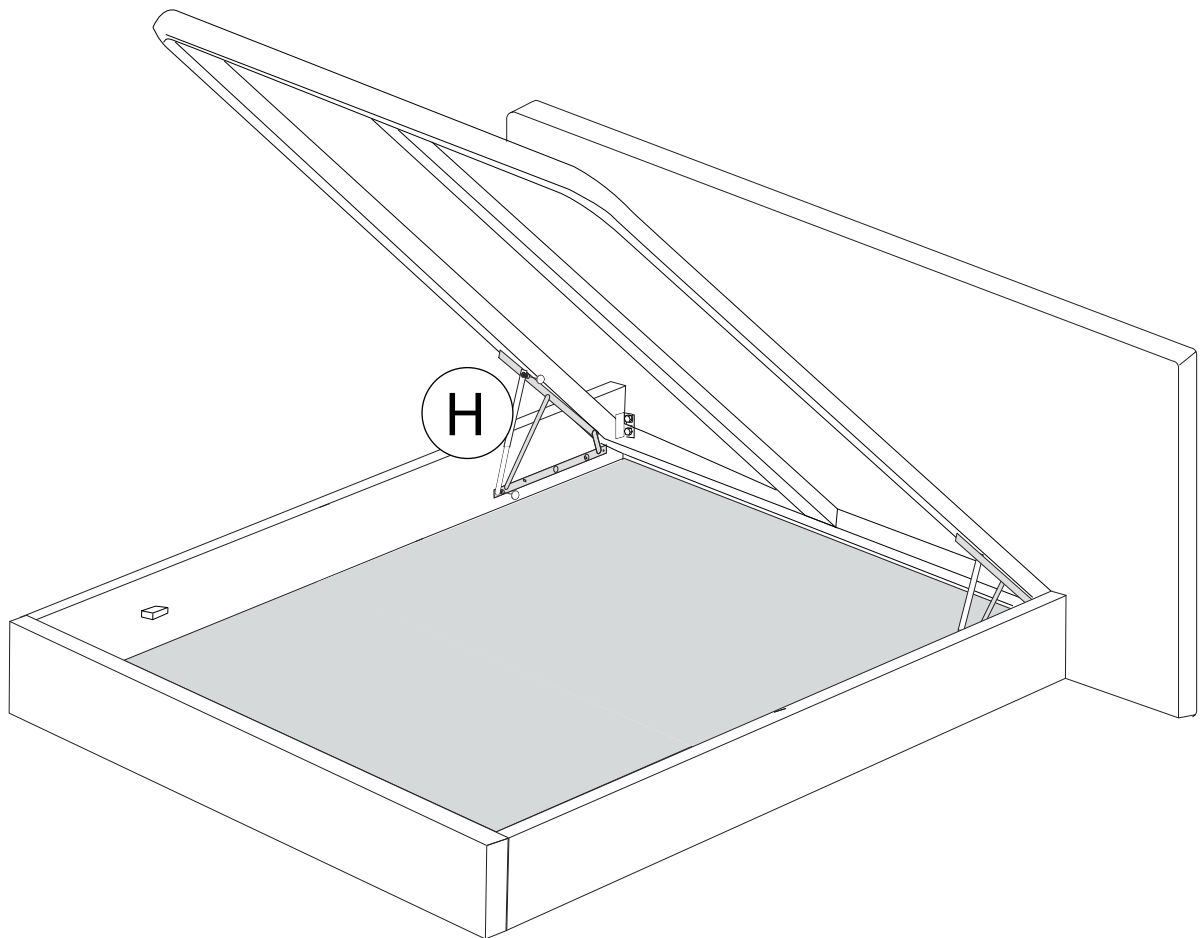
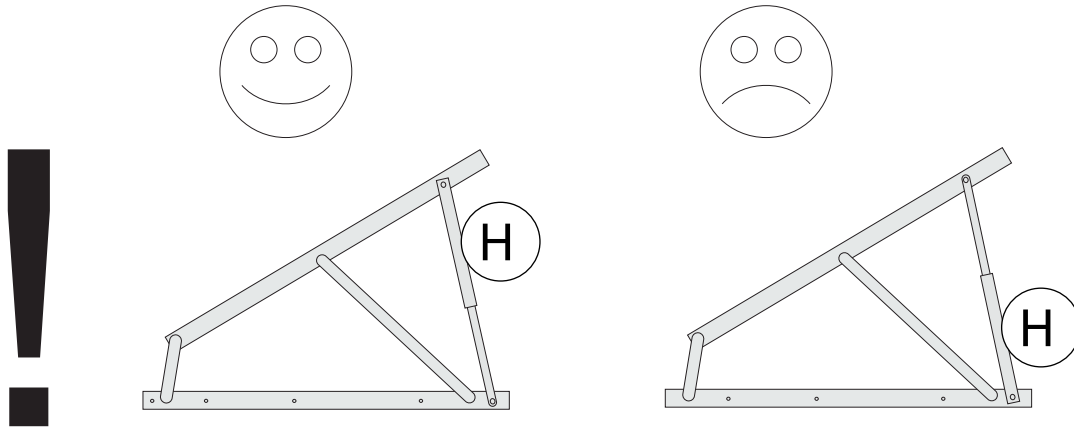
Arendal
bed

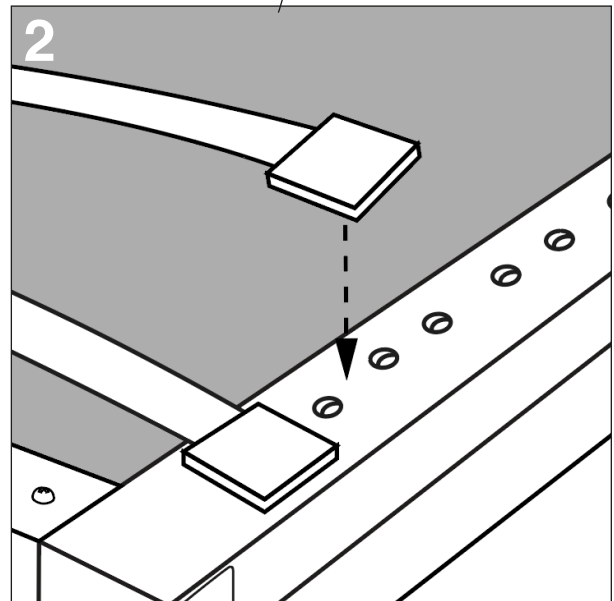
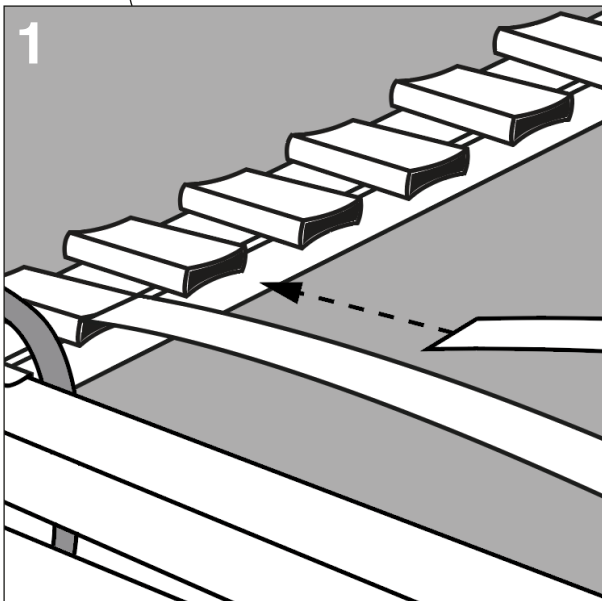
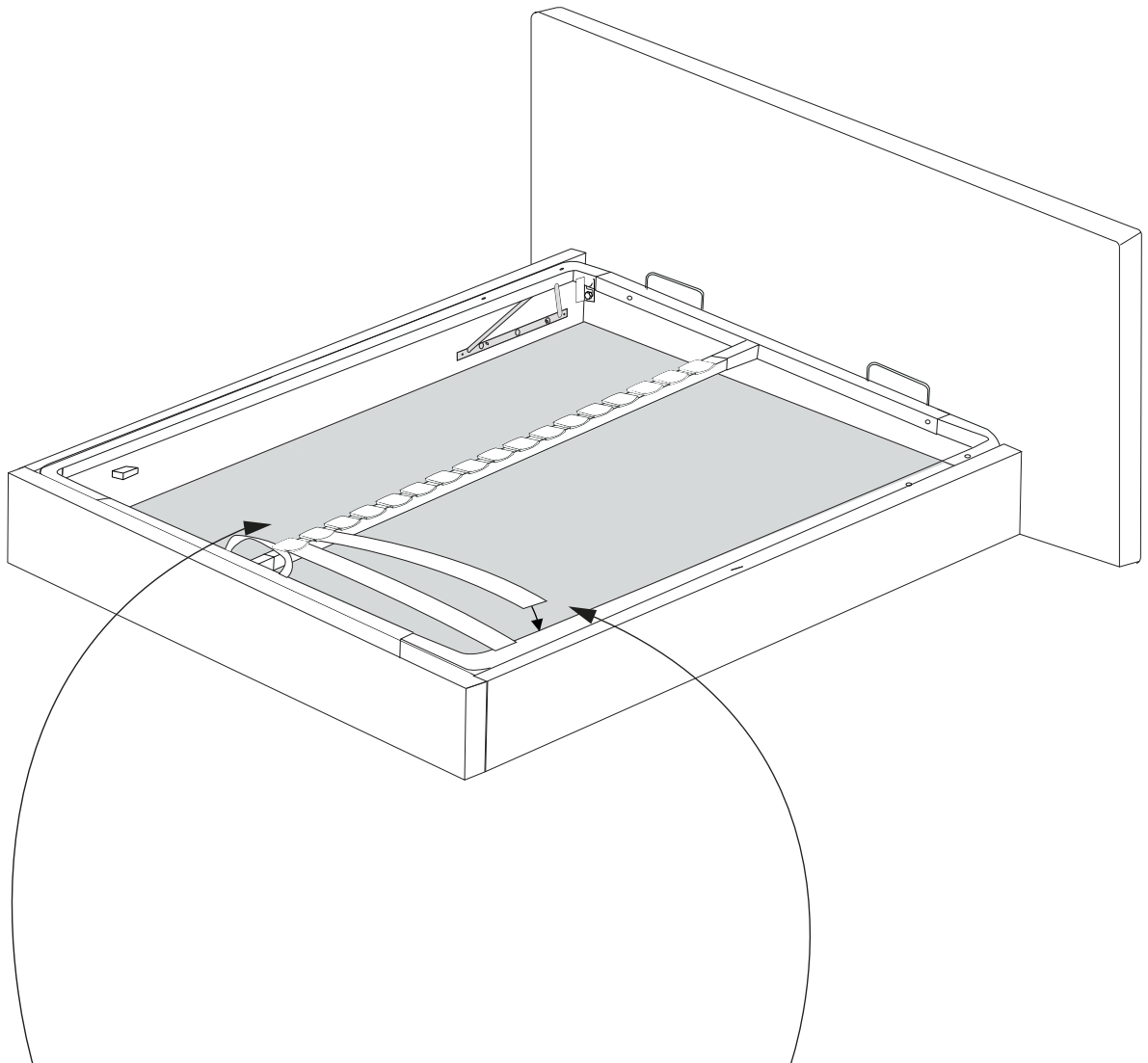


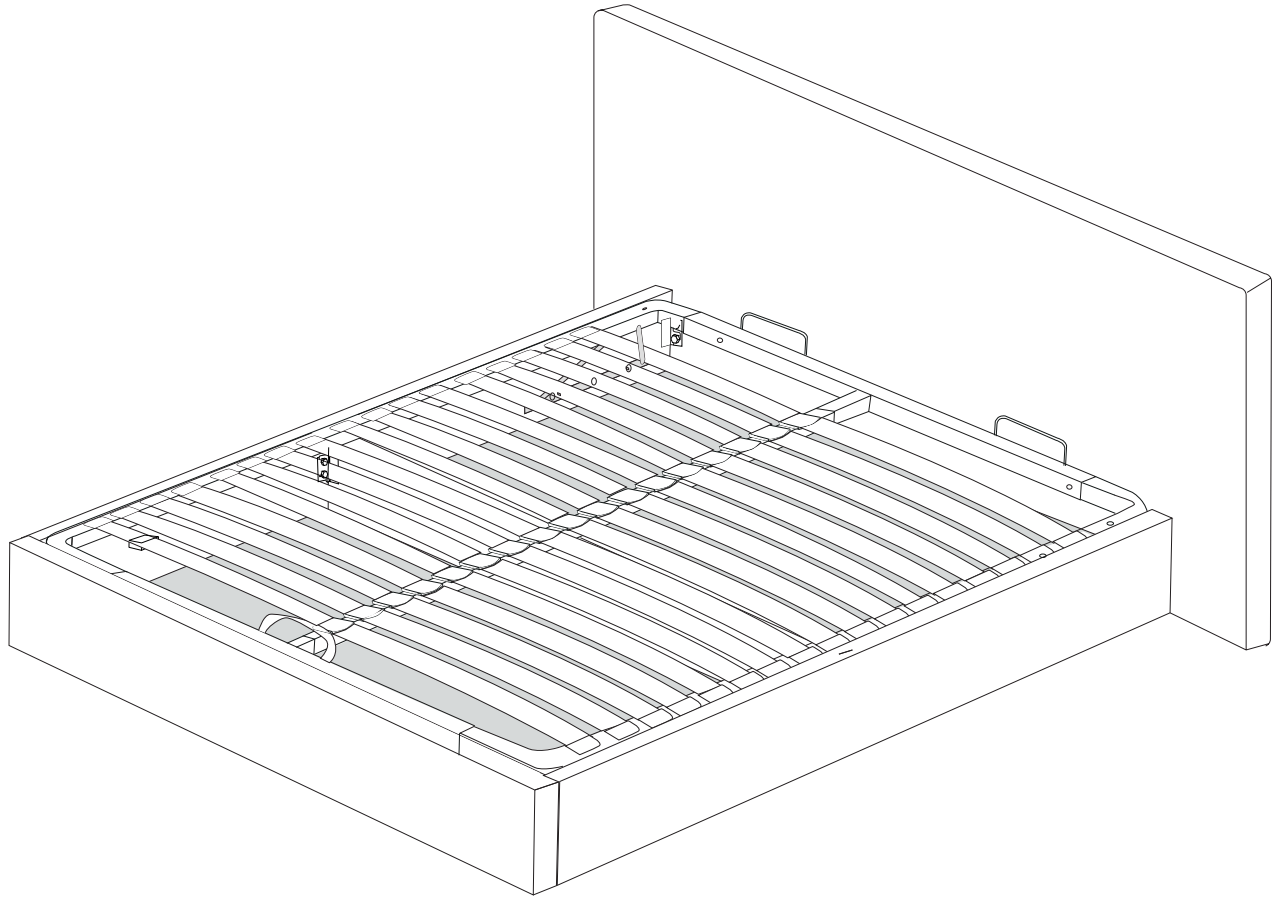
15





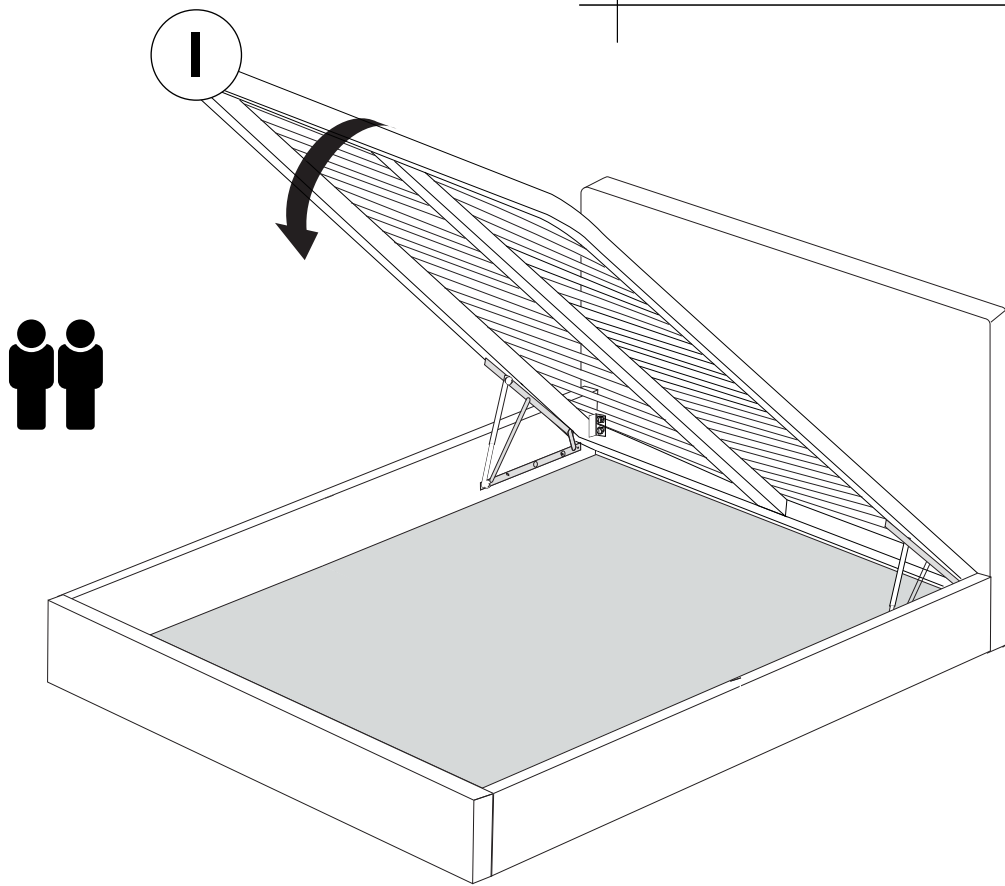






20

Arendal
bed



21

