

tescoma®

President



Instructions for use
Návod k použití
Istruzioni per l'uso
Instrucciones de uso
Instruções de utilização
Gebrauchsanleitung
Mode d'emploi
Instrukcja użytkowania
Návod na použitie
Használati útmutató
Инструкция
по использованию

tescoma®

President



tescoma®

President

smoothie



puree



ice



pulse



min/max



ON/OFF



Useful hint / Dobry tip / Consiglio utile
Consejo útil / Dica útil / Guter Tipp
Bonne astuce / Wskazówka
Dobry tip / Jó tipp / Полезный совет



15



Instructions for use

Safety instructions

Intended for household use. Do not use the blender for commercial use, outdoors or for other than intended purposes.

The appliance may be used by children aged 8 years and above and persons with reduced physical, sensory or mental capabilities or a lack of experience and knowledge only under supervision or after they have been instructed in the safe use of the appliance and understand the related risks. Children may not play with the appliance; cleaning and user maintenance may not be performed by children without supervision.

Always check that the knob is in the “**O – OFF**” position before connecting the plug to the wall outlet; always turn the knob to the “**O – OFF**” position before disconnecting the cord from the power supply; then remove the plug from the wall outlet.

Always switch off the blender and disconnect it from the power supply if it is left unattended and before assembling, disassembling and cleaning the blender or before handling parts that move when in use.

Do not immerse the appliance, the power cord and/or the plug in water. Do not let the power cord hang over the edge of a table or countertop or touch hot surfaces, do not place on or near a hot gas or electric cooker or near a heated oven.

Before each use, make sure that the connecting piece with chopping blades and the glass container with lid are fully attached. Using unauthorised attachments may cause fire, electric shock or injury.

Never operate the product if the container contains no liquid or is empty. Do not overfill the container. Always use the blender with the lid on.

The stainless steel chopping blades are very sharp. Be very careful when handling the blades and do not use the blender if the chopping blades are damaged.

Avoid contact with moving parts of the appliance. Keep hands and utensils out of the container while blending. A spatula may be used but only when the blender is not running.

Do not use water to clean the motor base – risk of injury.

ATTENTION: To avoid danger due to inadvertent resetting of the thermal cut-out, the appliance must not be supplied through an external switching device such as a timer or connected to a circuit that is regularly switched on and off. If the thermal cut-out is activated while the appliance is operated, please switch off the appliance, disconnect the plug from the power supply and leave the product to cool down before using it again.

WARNING: Do not lift the glass container from the base if the blender is running or the chopping blades are rotating. Always wait for the chopping blades to stop before lifting the container from the base.

The appliance meets the applicable safety standards. The power cord may be repaired or replaced only by authorised service centres; contact details are available at www.tescoma.com. Incorrectly or inexpertly performed repairs cannot be claimed.

Technical parameters

Content MIN/MAX: 200/1,800 ml

Voltage: 220–240 V

Power input: 1,800 W

Frequency: 50/60 Hz

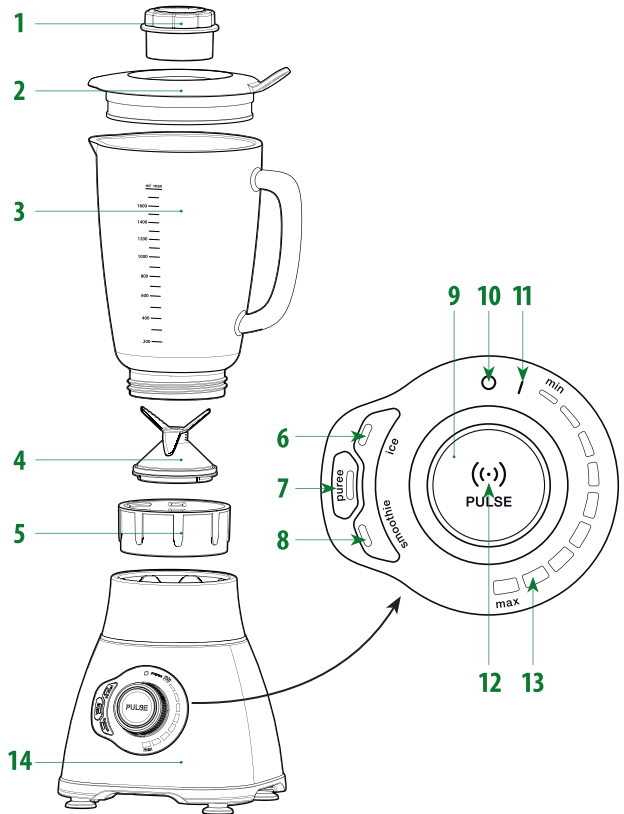
Revolutions: max 22,000/min

Noise level: Less than 85 dB

Power cord length: 110 cm

Legend

1. Lid closure
2. Lid with opening
3. Glass container with scale
4. Chopping blades
5. Connecting piece
6. Crushed ice programme (ice)
7. Purée programme (puree)
8. Smoothie programme (smoothie)
9. Knob
10. Off (O)
11. On (I)
12. Pulse function switch (PULSE)
13. Speed indicator (min/max)
14. Base with cord, plug, and suction knobs



Before first use

Unwrap the blender, disassemble, wash and dry (see sections Disassembly and Cleaning).

Notice

Do not use the blender to chop meat. Do not place into the glass container any ingredients and/or liquids that have a temperature exceeding 50 °C. Do not use the glass container in a microwave oven.

Connecting to power supply

Press the base to a clean, smooth surface. Make sure that the base is firmly attached and turn the knob to the “O – OFF” position. Connect the cord with plug to power supply 220–240 V.

Switching on

Insert the glass container with tightened connecting piece and chopping blades attached into the base of the blender (1).

Turn the knob to the “I – ON” position (2). The indicator lights for the programmes and pulse function switch will begin flashing; the blender is ready for use.

Notice: If the indicator lights do not go on after switching the appliance on, turn the knob back to the “O – OFF” position, lift the container from the base and tighten the connecting piece with chopping blades more firmly. Put the glass container back into place and switch the appliance on again.

Smoothies and milk cocktails

Use the “**smoothie**” programme for preparing fruit, vegetable and milk cocktails.

Pour at least 200 ml liquid into the container, add other ingredients cut to no more than 2 x 2 cm up to the **max** (1,800 ml) mark (see section Recipes) (3).

Put the lid with the closure onto the container (4) and press the “**smoothie**” button (5), (7). The blender will process the contents of the container and prepare a smoothie/cocktail; it will stop automatically when the programme is completed.

Turn the knob to the “**O – OFF**” position (6). Lift the glass container from the base, take off the lid with closure and pour the drink.

Notice

To immediately stop the blender during any programme, press the backlit button of the active programme and the blender will stop.

Purées and baby food

Use the “**puree**” programme for preparing vegetable and fruit purées, fruit baby food, etc. (8).

Pour at least 200 ml liquid into the container and add the other cut ingredients up to the **max** (1,800 ml) mark as a maximum (see section Recipes).

Put the lid with the closure onto the container and press the “**puree**” button. The blender will process the contents of the container into a purée; it will stop automatically when the programme is completed.

Turn the knob to the “**O – OFF**” position. Lift the glass container from the base, remove the lid and remove the purée from the container using a suitable tool such as a spatula.

Crushed ice

Use the “**ice**” programme to prepare clear crushed ice or crushed ice with fruit flavour (9).

To prepare clear crushed ice, fill the glass container with ice cubes up to the 600 ml mark without adding liquids.

To prepare fruit-flavoured crushed ice, pour approx. 0.5 dl sweet fruit syrup into the glass container and add ice cubes up to the 600 ml mark (see section Recipes).

Put the lid with the closure onto the container and press the “**ice**” button. The blender will process the contents of the container into crushed ice; it will stop automatically when the programme is completed.

Turn the knob to the “**O – OFF**” position. Lift the glass container from the base, remove the lid and remove the crushed ice from the container using a suitable tool such as a spatula.

Notice: Use standard ice cubes measuring no more than 2 x 2 cm to prepare crushed ice and do not exceed the maximum amount of 600 ml.

Useful hint

Use the closure with scale for quickly measuring out a small amount of ingredients such as fruit syrup for preparing fruit-flavoured crushed ice and for adding ingredients when using the pulse function (see section Gradually adding ingredients in the pulse mode).

Pulse function

To prepare drinks or food with a high content of solid or thick ingredients such as root vegetables, pumpkins, nuts, yogurt, ice cream, etc., use the pulse function while gradually adding ingredients (10).

Pour at least 200 ml liquid into the glass container and add the other cut ingredients approx. up to the 1,000 ml mark.

Repeatedly press and release the pulse function until the mixture is blended to the desired consistency.

Gradually adding ingredients in the pulse mode

Release the pulse function switch and wait for the blender to stop. Remove the closure from the lid by slightly rotating it counter-clockwise and add more cut ingredients to the container through the opening.

Set the closure back on and continue running the pulse function with gradually added ingredients.

Blending with continuous speed control

Use the continuous speed control function for preparing other drinks and food.

Pour at least 200 ml liquid into the glass container and add the other cut ingredients up to the **max** (1,800 ml) mark as a maximum.

Turn the knob to the “**min**” position; the appliance will begin to blend the contents at a low speed. Add or reduce speed by rotating the knob between “**min**” and “**max**” (11) until the mixture is blended to the required consistency.

Important notice

Never leave the blender to operate for more than 120 seconds at a time!

The appliance will overheat and will stop for safety reasons when repeatedly blending for more than 120 seconds at a time. If this happens, disconnect the mixer from power, do not use it for 30 minutes, then connect again and continue blending. If the blue indicator lights are flashing after 30 minutes have elapsed since the appliance was switched on but the appliance does not blend, wait another 10 to 20 minutes and then continue blending.

If the fruit or vegetables being blended are too hard or cut into pieces that are too large, the appliance will stop. Set the knob to the “**O – OFF**” position and remove the pieces that are too hard or too large from the container, dispose of them or cut them into smaller pieces, place them back into the container and continue blending.

Quick cleaning

For quickly cleaning the glass container and the chopping blades from pulp residues etc., fill the container with clean water up to the **max** (1,800 ml) mark as a maximum, set the cap with closure on and repeatedly press and release the pulse function switch.

Disassembly

Turn the knob to the “**O – OFF**” (12) position, disconnect the cord from power and disassemble the blender. Remove the closure from the lid and remove the lid from the glass container. Unscrew the connecting piece with blades from the glass container (13), press the chopping blades from the bottom and remove them from the connecting piece (14). **Be very careful when handling the chopping blades; the blades are very sharp!**

Useful hint: To release the connecting piece more easily, set the container into the base, press downwards and release the connecting piece by moving it with your hand counterclockwise. (15).

Cleaning

The glass container, lid and closure with scale are dishwasher safe; wash the cutting blades and the connecting piece under running water and dry; do not wash in dishwasher. If necessary, wipe the base of the blender with a dry cloth. Do not wash under running water or in dishwasher.

Notice

Countertop blender PRESIDENT 1.8 l comes with specially sharpened chopping blades made of high-grade stainless steel. Intense or inappropriate use (ingredients that are too hard or too large) inherently causes the blades to become dull, which cannot be claimed. For spare mixing blades, contact your retailer or a TESCOMA service centre; for contact details go to www.tescoma.com.

A 2-year warranty period applies to this product.

Recipes

Fruit and vegetable smoothies (“smoothie” programme)

For fruit and vegetable cocktails (smoothies), peel and cut fruit and vegetables (into 2 x 2 cm pieces as a maximum), adding the required amount of liquid, i.e. usually approx. 600 ml water, fruit juice, milk, etc. to 1,800 ml content.

Suitable kinds of fruit: Bananas, apples, pears, apricots, peaches, mangoes, lemons, grapefruits, kiwis, oranges, tangerines, melons, forest berries, all kinds of seasonal fruit, etc.

Suitable kinds of vegetables: Carrots, celery stalk, parsley, beetroot, radishes, various kinds of salads and herbs, e.g. bok choy, spinach, cabbage, rocket, lamb's lettuce, endive, garden cress, nettle, dandelion, ribwort, wild garlic, etc.

To enhance nutritional value and taste, you can add whole nuts, soaked sesame, linseed, chia, sunflower, pumpkin or hemp seeds, soaked dried fruits or aromatic spices such as crushed cinnamon, goji berries, etc.

All the below recipes are for 1,800 ml drink or food – reduce the amount of all ingredients proportionally to prepare a smaller amount of drink or food.

Smoothie with forest fruit

150 g mixture of raspberries, blackberries and cherries, 150 g blueberries, 1 kiwi, 600 ml water

Banana smoothie with blueberries

5 bananas, 200 g blueberries, 500 ml milk, 2 tsp honey

Mango smoothie

700 g mango, 300 g white yogurt, 450 ml refrigerated milk, drop of vanilla extract, pinch of salt

Apple smoothie with cucumber

450 g apples, 250 g fresh cucumber, 600 ml apple juice, nutmeg and cinnamon to taste

Banana smoothie with beetroot

3 bananas, 300 g beetroot, 150 g white yogurt, 500 ml apple juice, chunk of fresh grated ginger, soaked chia seeds

Tomato smoothie with carrot

500 g tomatoes, 150 g carrot, 150 g celery stalks, 400 ml apple juice, spicy sauce to taste

Milk cocktails (“smoothie” programme)

Strawberry cocktail

250 g strawberries, 600 ml soymilk, 3 bananas, 60 g oatmeal, 5 tsp honey

Banana cocktail

250 g vanilla ice cream, 5 bananas, 750 ml milk

Chocolate cocktail

500 g chocolate ice cream, 500 ml milk, 21 g Caro instant powder, 2 tsp honey

Peach cocktail

700 g peaches, 250 g vanilla ice cream, 350 ml milk

Fruit purées and fruit baby food (“puree” programme)

Apple purée

5 large peeled and cut apples, 400 ml water, honey to taste

Apricot baby purée

500 g apricots, 400 g peeled and cut apples, 450 ml apple juice, 5 tsp honey

Vegetable purées (“puree” programme)

Cauliflower purée

600 g cauliflower, 125 ml whipping cream (33 % fat), 30 g butter

Recipe: Boil strained cauliflower florets for about 15 minutes in salted water, sauté in 15 g butter and leave to partly cool down. Place the sautéed cauliflower, whipping cream and the remaining 15 g butter into the blender container, add salt and pepper and close, press the “**puree**” button and process into fine cauliflower purée.

Pea purée

500 g frozen peas, 2 onions, 125 ml whipping cream (33 % fat), 100 ml vegetable stock, 2 tbsp butter, peppermint leaf

Recipe: Boil peas in vegetable stock until soft, add whipping cream and boil briefly again. Place moderately cooled peas with cream into the blender container, add butter and about one half of previously fried finely chopped onions, add salt and pepper to the mixture and close the container. Press the “**puree**” button and process into pea purée. Serve garnished with the remaining half of fried onion and peppermint leaf.

Potato-pumpkin purée

400 g potatoes boiled in their skins, 250 g pumpkin, 1 medium onion, 100 to 200 ml milk (depending on how watery the pumpkin is), 10 g butter, 2 tsp soy sauce, pinch of nutmeg, a little oil

Recipe: Lightly fry finely cut onion in oil, add diced pumpkin (with skin), butter, milk and soy sauce. Add salt and pepper to the mixture, season with nutmeg and leave to stew for about 10 minutes. Place the moderately cooled mixture and moderately cooled peeled potatoes cut into small pieces into the blender container, close, press the “**puree**” button and process into potato-pumpkin purée.

Crushed ice (“ice” programme)

Clear crushed ice

600 ml ice cubes

Recipe: Place ice cubes (not larger than 2 x 2 cm) into the blender, close the container, press the “**ice**” button and prepare clear crushed ice.

Fruit-flavoured crushed ice

600 ml ice cubes, 50 ml sweet fruit syrup

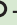

Recipe: Place ice cubes (not larger than 2 x 2 cm) into the blender, pour in fruit syrup, then close the container. Press the “**ice**” button and prepare flavoured crushed ice.

Návod k použití

Bezpečnostní pokyny

Určeno pro použití v domácnosti, mixér nepoužívejte ke komerčním účelům, ve venkovních prostorách, ani k jiným, než povoleným účelům.

Přístroj směji používat děti od 8 let věku a osoby se sníženými tělesnými, smyslovými nebo duševními schopnostmi nebo s nedostatkem zkušeností a znalostí pouze v případě, že je zajištěn dohled nebo poučení týkající se bezpečného používání a uživatelé jsou si vědomi možných rizik. S přístrojem si nesmějí hrát děti, čištění a uživatelskou údržbu nesmějí provádět děti bez dozoru.

Před zapojením zástrčky do elektrické zásuvky vždy zkontrolujte, zda je otočný ovladač v poloze „ – vypnuto“, před odpojováním ze zásuvky vždy přepněte ovladač do polohy „ – vypnuto“ a poté vyjměte zástrčku z elektrické zásuvky.

Mixér vždy vypněte a odpojte od zdroje napájení, pokud je ponechán bez dozoru, před montáží, demontáží, čištěním nebo manipulací s částmi, které jsou při používání v pohybu.

Neponožujte přístroj, napájecí kabel a zástrčku do vody. Nenechávejte kabel viset na okraji stolu nebo pultu a zabraňte styku s horkými povrchy, neumísťujte jej na horký plynový nebo elektrický sporák nebo do jeho blízkosti a do blízkosti vyhřáté trouby.

Před každým použitím se přesvědčte, že jsou spojovací díl s noži a skleněná nádoba s víčkem zcela nasazeny. Používání neautorizovaného doplňkového příslušenství může způsobit požár, úraz elektrickým proudem nebo zranění osob.

Nikdy neuvádějte přístroj do chodu, pokud v nádobě není žádná tekutina nebo je nádoba prázdná. Nepřepíňujte nádobu. Mixér používejte vždy s nasazeným víkem.

Nerezové nože mixéru jsou velmi ostré, manipulaci s noži věnujte zvýšenou pozornost, v případě poškození nožů mixér nepoužívejte.

Zabraňte styku s pohyblivými částmi přístroje. Při mixování nedávejte ruce ani kuchyňské nářadí do nádoby. Lze použít stěrku, avšak pouze v době, kdy mixér není v chodu.

K čištění základny s motorem nepoužívejte vodu, hrozí nebezpečí úrazu.

POZOR: Aby nevzniklo nebezpečí způsobené neúmyslným resetováním tepelné pojistky, nesmí být tento přístroj napájen přes externí spínací zařízení jako je časovač nebo připojen do elektrického obvodu, který je pravidelně zapínán a vypínán. Pokud je tepelná pojistka během používání přístroje aktivována, vypněte přístroj, odpojte zástrčku z elektrické sítě a nechte výrobek před použitím vychladnout.

VÝSTRAHA: Nevytahujte skleněnou nádobu ze základny, pokud je mixér v chodu nebo se otáčí nože. Vždy vyčkejte do zastavení nožů a teprve poté vyjměte nádobu ze základny.

Přístroj splňuje příslušné bezpečnostní normy. Opravu nebo výměnu elektrického kabelu směji provádět pouze pracovníci autorizovaného servisu, kontakt na www.tescoma.cz. Chybně nebo neodborně provedené opravy nemohou být předmětem reklamace.

Technické parametry

Plnění MIN/MAX: 200/1800 ml

Napájení: 220–240 V

Příkon: 1800 W

Frekvence: 50/60 Hz

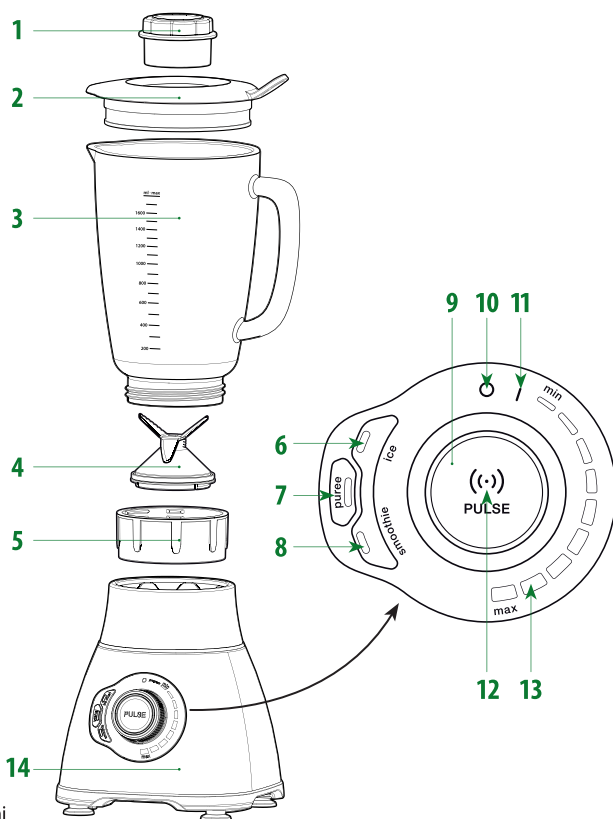
Otáčky: max. 22000/min

Hlučnost: Méně než 85 dB

Délka přívodního kabelu: 110 cm

Popis

1. Uzávěr víčka
2. Víčko s otvorem
3. Skleněná nádoba s odměrkou
4. Mixovací nože
5. Spojovací díl
6. Program pro ledovou tříšť (ice)
7. Program pro pyré (puree)
8. Program pro smoothie (smoothie)
9. Otočný ovladač
10. Vypnuto (O)
11. Zapnuto (I)
12. Spínač pulzního mixování (PULSE)
13. Indikátor otáček (min/max)
14. Základna s kabelem, zástrčkou a přísavkami



Před prvním použitím

Mixér vybalte, rozložte, umyjte a osušte (viz Rozložení a Čištění).

Upozornění

Mixér nepoužívejte ke sekání masa. Do skleněné nádoby nevkládejte suroviny a tekutiny o teplotě vyšší než 50 °C. Skleněnou nádobu nepoužívejte v mikrovlnné troubě.

Zapojení do sítě

Základnu mixéru přitiskněte na čistou plochu s hladkým povrchem. Ujistěte se, že je základna pevně přichycena a otočný ovladač nastavte do polohy „O – vypnuto“. Kabel se zástrčkou zapojte do sítě 220–240 V.

Zapnutí

Skleněnou nádobu s pevně dotaženým spojovacím dílem s nasazenými mixovacími noži vložte do základny mixéru (1).

Otočný ovladač nastavte do pozice „I – zapnuto“ (2). Kontrolky programů a spínače pulzního mixování začnou přerušovaně svítit, mixér je připravený k použití.

Upozornění: Pokud se kontrolky po zapnutí nerozsvítí, otočte ovladač zpět do polohy „O – vypnuto“, nádobu vyjměte ze základny a spojovací díl s noži pevněji dotáhněte. Skleněnou nádobu vložte zpět a zapnutí zopakujte.

Smoothie a mléčné koktejly

Pro přípravu ovocných, zeleninových a mléčných koktejlů použijte program „**smoothie**“.

Do nádoby nalijte min. 200 ml tekutin a přidejte nejvýše po rysku **max** (1800 ml) ostatní suroviny doporučené na velikost max. 2 x 2 cm (viz Recepty) (3).

Nádoby uzavřete víčkem s uzávěrem (4) a stiskněte tlačítko „**smoothie**“ (5), (7). Mixér rozmixuje obsah nádoby a připraví smoothie/koktejl, po ukončení programu se automaticky zastaví.

Otočný ovladač nastavte do polohy „**O – vypnuto**“ (6). Skleněnou nádobu vyjměte ze základny, sejměte víčko s uzávěrem a nápoj nalévejte.

Upozornění

Pro okamžité zastavení mixéru během kteréhokoliv programu stiskněte svítící tlačítko spuštěného programu a mixér se zastaví.

Pyré a ovocné dětské pokrmy

Pro přípravu zeleninových nebo ovocných pyré, ovocných dětských pokrmů apod. použijte program „**puree**“ (8).

Do nádoby nalijte min. 200 ml tekutin a přidejte nejvýše po rysku **max** (1800 ml) ostatní doporučené suroviny (viz Recepty).

Nádoby uzavřete víčkem s uzávěrem a stiskněte tlačítko „**puree**“. Mixér rozmixuje obsah nádoby a připraví pyré, po ukončení programu se automaticky zastaví.

Otočný ovladač nastavte do polohy „**O – vypnuto**“. Skleněnou nádobu vyjměte ze základny, sejměte víčko a pyré přemístěte vhodným nástrojem, např. stěrkou, z nádoby.

Ledové tříště

Pro přípravu čisté nebo ovocné ledové tříště použijte program „**ice**“ (9).

Pro přípravu čisté ledové tříště naplňte skleněnou nádobu ledovými kostkami po rysku 600 ml bez přidání tekutin.

Pro přípravu ovocné ledové tříště nalijte do skleněné nádoby cca 0,5 dl sladkého ovocného sirupu a přidejte po rysku 600 ml ledové kostky (viz Recepty).

Nádoby uzavřete víčkem s uzávěrem a stiskněte tlačítko „**ice**“. Mixér rozmixuje obsah nádoby a připraví ledovou tříšť, po ukončení programu se automaticky zastaví.

Ovladač nastavte do polohy „**O – vypnuto**“. Skleněnou nádobu vyjměte ze základny, sejměte víčko a ledovou tříšť přemístěte vhodným nástrojem, např. stěrkou, z nádoby.

Upozornění: Pro přípravu ledové tříště používejte běžné ledové kostky o velikosti max. 2 x 2 cm a dodržujte jejich množství 600 ml.

Dobrý tip

Uzávěr s odměrkou použijte pro rychlé odměřování menšího množství ingrediencí, např. ovocného sirupu při přípravě ovocné ledové tříště a pro doplňování ingrediencí během pulzního mixování (viz Postupné doplňování surovin při pulzním mixování).

Pulzní mixování

K přípravě nápojů nebo pokrmů s vyšším podílem pevných částí nebo hustých ingrediencí, např. kořenové zeleniny, dýně, ořechů, jogurtu, zmrzliny apod. použijte funkci pulzního mixování s postupným doplňováním surovin (10).

Do skleněné nádoby dejte min. 200 ml tekutin a přidejte ostatní doporučené suroviny cca po rysku 1000 ml.

Spínač pulzního mixování opakovaně přidržujte a uvolňujte, až bude směs rozmixovaná na potřebnou hustotu.

Postupné doplňování surovin při pulzním mixování

Uvolněte spínač pulzního mixování a vyčkejte, až mixér zastaví. Pootočením proti směru hodinových ručiček vyjměte z víčka uzávěr a otvorem doplňte do nádoby další naporcované suroviny.

Uzávěr nasadte zpět a pokračujte v pulzním mixování s postupným doplňováním surovin.

Mixování s plynulým regulováním otáček

Pro přípravu ostatních nápojů a pokrmů použijte funkci mixování s plynulým regulováním otáček.

Do skleněné nádoby dejte min. 200 ml tekutin a přidejte nejvýše po rysku **max** (1800 ml) ostatní naporcované suroviny.

Otočný ovladač nastavte do polohy „**min**“ a přístroj začne vložený obsah mixovat při nízkých otáčkách. Otáčky zvyšujte nebo snižujte otáčením ovladače mezi polohami „**min**“ a „**max**“ (11), až bude směs rozmixovaná na požadovanou hustotu.

Upozornění

Mixér nenechávejte nikdy nepřetržitě mixovat déle než 120 vteřin!

Při opakovaném mixování delším než 120 vteřin se přístroj vlivem přehřátí z bezpečnostních důvodů zastaví. V takovém případě mixér odpojte ze sítě, 30 minut jej nepoužívejte, poté zapojte do sítě a pokračujte v mixování. Pokud budou modré kontrolky po 30 minutách po zapnutí přístroje přerušovaně svítit, ale přístroj nebude mixovat, vyčkejte dalších 10 až 20 minut a poté pokračujte v mixování.

Pokud jsou mixované ovoce nebo zelenina příliš tvrdé nebo jejich porce příliš velké, přístroj se zastaví. Ovladač nastavte do polohy „**O** – **vypnuto**“ a příliš tvrdé nebo velké kusy vyjměte z nádoby, odstraňte je nebo naporcujte na menší díly, vložte zpět do nádoby a pokračujte v mixování.

Rychlé čištění

Pro rychlé vyčištění skleněné nádoby a mixovacích nožů od zbytků dužiny apod. naplňte nádobu nejvýše po rysku **max** (1800 ml) čistou vodou, nasadte víčko s uzávěrem a opakovaně stiskněte a uvolněte spínač pulzního mixování.

Rozložení

Otočný ovladač nastavte do polohy „**O** – **vypnuto**“ (12), kabel odpojte ze zásuvky a mixér rozložte. Uzávěr vyjměte z víčka a víčko sejměte ze skleněné nádoby. Ze skleněné nádoby odšroubujte spojovací díl s noži (13), na mixovací nože zatlačte zespodu a vyjměte je ze spojovacího dílu (14). **Při manipulaci s mixovacími noži dbejte zvýšené opatrnosti, nože jsou velmi ostré!**

Dobrý tip: Pro snadnější povolení spojovacího dílu vsadte nádobu do základny, zatlačte směrem dolů a pohybem rukou proti směru hodinových ručiček spojovací díl povolte (15).

Čištění

Skleněná nádoba, víčko i uzávěr s odměrkou jsou vhodné do myčky, mixovací nože a spojovací díl myjte pod tekoucí vodou a osušte, nemyjte v myčce. Základnu mixéru otřete v případě potřeby suchou utěrkou, nemyjte pod tekoucí vodou ani v myčce.

Upozornění

Stolní mixér PRESIDENT 1,8 l je opatřen speciálně broušenými mixovacími noži z prvotřídní nerezavějící oceli. Ztupení nožů intenzivním nebo nevhodným používáním (příliš tvrdé nebo velké suroviny) je přirozeným jevem a nemůže být předmětem reklamace. Náhradní mixovací nože žádejte u svého prodejce nebo v servisním středisku TESCOMA, kontakt na www.tescoma.cz.

Na tento výrobek je poskytována záruka 2 roky.

Recepty

Ovocná a zeleninová smoothie (program „smoothie“)

Ovocné a zeleninové koktejly (smoothies) připravujete z oloupaného a naporcovaného ovoce a zeleniny (max. 2 x 2 cm) s přidáním potřebného množství tekutin, tj. obvykle cca 600 ml vody, ovocné šťávy, mléka apod. na 1800 ml náplně.

Vhodné druhy ovoce: Banány, jablka, hrušky, meruňky, broskve, manga, citrony, grepy, kiwi, pomeranče, mandarinky, melouny, lesní plody, veškeré sezónní ovoce apod.

Vhodné druhy zeleniny: Mrkev, řapíkatý celer, petržel, červená řepa, ředkve, různé druhy salátů a bylinek, např. čínské zelí, špenát, kapusta, rukola, polníček, čekanka, řeřicha, kopřiva, pampeliška, jitrocel, medvědí česnek apod.

Pro zvýšení nutriční hodnoty a chuti můžete do mixéru přidat celé ořechy, namočená sezamová, lněná, chia, slunečnicová, dýňová nebo konopná semínka, namočené sušené ovoce nebo aromatické koření, např. drcenou skořici, plody goji apod.

Všechny níže uvedené recepty jsou sestaveny pro přípravu 1800 ml nápoje nebo pokrmu, pro přípravu menšího množství nápoje nebo pokrmu snižte úměrně objem všech surovin.

Smoothie s lesním ovocem

150 g směsi malin, ostružin a třešní, 150 g borůvek, 1 kiwi, 600 ml vody

Banánové smoothie s borůvkami

5 banánů, 200 g borůvek, 500 ml mléka, 2 lžičky medu

Mangové smoothie

700 g manga, 300 g bílého jogurtu, 450 ml chlazeného mléka, kapka vanilkového extraktu, špetka soli

Jablečné smoothie s okurkou

450 g jablek, 250 g salátové okurky, 600 ml jablečné šťávy, muškátový oříšek a skořice dle chuti

Banánové smoothie s červenou řepou

3 banány, 300 g červené řepy, 150 g bílého jogurtu, 500 ml jablečné šťávy, kousek čerstvého strouhaného zázvoru, předem namočená chia semínka

Rajčatové smoothie s mrkví

500 g rajčat, 150 g mrkve, 150 g řapíkatého celeru, 400 ml jablečné šťávy, pálivá omáčka dle chuti

Mléčné koktejly (program „smoothie“)

Jahodový koktejl

250 g jahod, 600 ml sójového mléka, 3 banány, 60 g ovesných vloček, 5 lžiček medu

Banánový koktejl

250 g vanilkové zmrzliny, 5 banánů, 750 ml mléka

Čokoládový koktejl

500 g čokoládové zmrzliny, 500 ml mléka, 21 g rozpustného nápoje Caro, 2 lžičky medu

Broskvový koktejl

700 g broskví, 250 g vanilkové zmrzliny, 350 ml mléka

Ovocná pyré a dětské ovocné pokrmy (program „puree“)

Jablečné pyré

5 velkých oloupaných a pokrájených jablek, 400 ml vody, med dle chuti

Meruňková přesnídávka

500 g meruňek, 400 g oloupaných a pokrájených jablek, 450 ml jablečné šťávy, 5 lžiček medu

Zeleninová pyré (program „puree“)

Květákové pyré

600 g květáku, 125 ml smetany ke šlehání (33 % tuku), 30 g másla

Postup: Scezené květákové růžičky, předem povařené cca 15 minut v osolené vodě, orestujte na 15 g másla a nechte částečně vychladnout. Do nádoby mixéru vložte orestovaný květák, smetanu a zbylých 15 g másla, osolte, opepřete a uzavřete, stiskněte tlačítko „puree“ a připravte jemné květákové pyré.

Hráškové pyré

500 g mraženého hrášku, 2 cibule, 125 ml smetany ke šlehání (33 % tuku), 100 ml zeleninového vývaru, 2 lžíce másla, lístek máty

Postup: Hrášek uvařte doměkka v zeleninovém vývaru, přidejte smetanu a ještě krátce povařte. Mírně vychladlý hrášek se smetanou vložte do nádoby mixéru, přidejte máslo a zhruba polovinu předem osmažené nadrobno pokrájené cibule, směs osolte, opepřete a nádobu uzavřete. Stiskněte tlačítko „puree“ a připravte hráškové pyré, které podávejte zdobené zbylou polovinou osmažené cibule a lístkem máty.

Bramborovo-dýňové pyré

400 g brambor vařených ve slupce, 250 g dýně, 1 středně velká cibule, 100 až 200 ml mléka (dle vodnatosti dýně), 10 g másla, 2 lžičky sójové omáčky, špetka muškátového oříšku, trocha oleje

Postup: Nadrobno pokrájenou cibuli osmažte na oleji, přidejte na kostky pokrájenou neoloupanou dýni, máslo, mléko a sójovou omáčku. Směs osolte, opepřete, dochuťte muškátovým oříškem a nechte cca 10 minut dusit. Mírně vychladlou směs a mírně vychladlé oloupané brambory pokrájené na malé kostky vložte do nádoby mixéru, uzavřete, stiskněte tlačítko „puree“ a připravte bramborovo-dýňové pyré.

Ledová tříšť (program „ice“)

Čistá ledová tříšť

600 ml ledových kostek

Postup: Do mixéru dejte ledové kostky (max. 2 x 2 cm), nádobu uzavřete, stiskněte tlačítko „ice“ a připravte čistou ledovou tříšť.

Ovocná ledová tříšť

600 ml ledových kostek, 50 ml slazeného ovocného sirupu

Postup: Do mixéru dejte ledové kostky (max. 2 x 2 cm), zalijte je ovocným sirupem, nádobu uzavřete. Stiskněte tlačítko „ice“ a připravte ochucenou ledovou tříšť.

Istruzioni per l'uso

Istruzioni di sicurezza

Solo per uso domestico. Non utilizzare il frullatore per uso professionale, all'aperto o per usi diversi da quello indicato.

L'elettrodomestico può essere utilizzato da bambini sopra gli 8 anni d'età e da persone con limitate capacità fisiche, sensoriali o mentali, o non adeguatamente informate sul funzionamento dell'apparecchio, esclusivamente sotto la supervisione di un adulto o dopo avere ricevuto un'adeguata formazione, e dopo averne accertato la comprensione dei rischi che tale utilizzo comporta. L'elettrodomestico non è un giocattolo; le operazioni di pulizia e manutenzione non possono essere effettuate da bambini senza adeguata supervisione.

Controllare sempre che la manopola sia impostata sulla posizione "O – OFF" prima di collegare la spina alla presa di corrente; allo stesso modo, impostare sempre su "O – OFF" prima di scollegare il cavo di alimentazione dalla presa di corrente.

Spegnere il frullatore e lasciare scollegato dall'alimentazione elettrica quando incustodito, e prima di effettuare operazioni di montaggio, smontaggio, pulizia e manipolazione di parti in movimento.

Non immergere l'apparecchio, il cavo di alimentazione e la spina in acqua. Non lasciare che il cavo penda dal bordo del piano di lavoro su cui è appoggiato, non lasciarlo a contatto con superfici calde, non posizionare in prossimità del piano cottura o vicino al forno caldo.

Prima di ogni utilizzo, assicurarsi che il connettore con le lame e il boccale siano ben fissati. L'utilizzo di accessori non originali può provocare incendi, elettrocuzione o lesioni.

Non azionare mai l'elettrodomestico se il boccale è vuoto. Non riempire il boccale oltre il limite consentito. Utilizzare sempre il frullatore con il coperchio applicato.

Le lame in acciaio inox sono molto taglienti. Prestare la massima attenzione nel maneggiare le lame, non usare il frullatore con lame danneggiate.

Evitare il contatto con le parti in movimento dell'elettrodomestico. Non inserire le mani o degli utensili nel boccale durante l'utilizzo. È possibile utilizzare una spatola solo quando il frullatore non è in funzione.

Non pulire la base del frullatore con acqua – rischio di lesioni.

ATTENZIONE: Per evitare pericoli correlati all'attivazione accidentale della protezione termica, l'elettrodomestico non va collegato a dispositivi con interruttore esterno come ad esempio timer, né collegato a circuiti che possano essere accesi e spenti. Se si dovesse attivare la protezione termica durante l'utilizzo, spegnere l'elettrodomestico, scollegare il cavo di alimentazione e lasciare raffreddare il prodotto prima di utilizzarlo nuovamente.

ATTENZIONE: Non sollevare il boccale in vetro dalla base se il frullatore è in funzione o con le lame in movimento. Attendere sempre che le lame si arrestino prima di sollevare il boccale dalla base.

L'apparecchio risponde agli standard di sicurezza applicabili. Il cavo di alimentazione può essere riparato o sostituito solo da centri assistenza autorizzati; per i recapiti consultare il sito www.tescoma.it. Le riparazioni non autorizzate o eseguite in modo non corretto non possono essere contestate.

Parametri tecnici

Contenuto MIN/MAX: 200/1800 ml

Voltaggio: 220–240 V

Ingresso alimentazione: 1800 W

Frequenza: 50/60 Hz

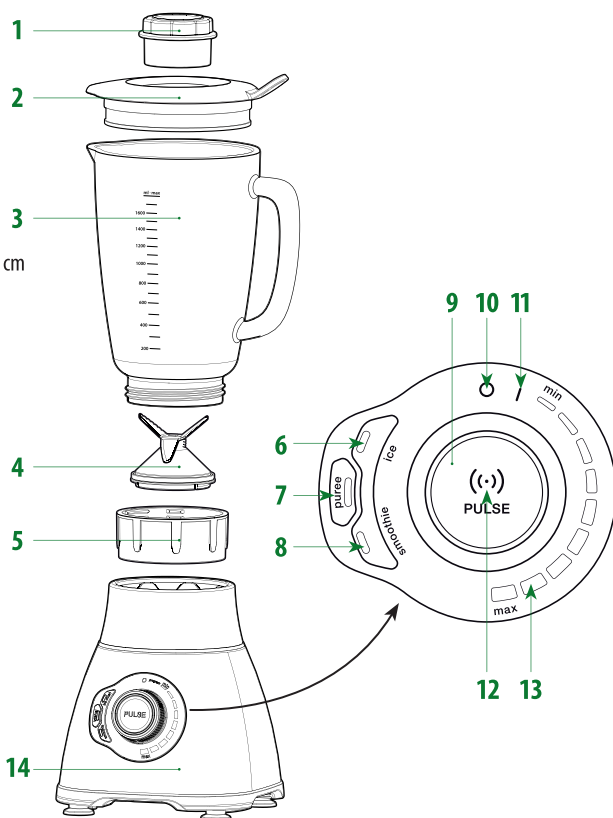
Velocità: max 22000 giri/minuto

Rumorosità: Inferiore a 85 dB

Lunghezza del cavo di alimentazione: 110 cm

Legenda

1. Chiusura del coperchio
2. Coperchio con apertura
3. Boccale in vetro con scala graduata
4. Lame
5. Connettore
6. Programma "ice" (ghiaccio tritato)
7. Programma "puree" (crema)
8. Programma "smoothie" (frullato)
9. Manopola
10. Off (O)
11. On (I)
12. Interruttore funzione Pulse (PULSE)
13. Indicatore di velocità (min/max)
14. Base con cavo, spina e ventose



Prima del primo utilizzo

Rimuovere l'imballo, smontare il frullatore, lavarlo ed asciugarlo (vedere le sezioni Smontaggio e Pulizia).

Avvertenza

Non utilizzare il frullatore per tritare la carne. Non inserire nel boccale in vetro ingredienti e liquidi che abbiano una temperatura superiore ai 50 °C. Non utilizzare il boccale in vetro nel forno a microonde.

Collegamento alla rete di alimentazione

Premere la base su una superficie pulita e liscia. Assicurarsi che la base sia saldamente fissata e ruotare la manopola sulla posizione "O – OFF". Collegare il cavo con spina all'alimentazione elettrica 220–240 V.

Accensione

Inserire il boccale in vetro, con il connettore e le lame applicati, alla base del frullatore (1).

Ruotare la manopola in posizione "1 – ON" (2). Le luci di indicazione dei programmi e l'interruttore pulse inizieranno a lampeggiare; il frullatore è pronto per l'uso.

Avvertenza: Se le spie non si accendono dopo l'accensione dell'elettrodomestico, ruotare la manopola in posizione "O – OFF", sollevare il boccale dalla base e avvitare più saldamente il connettore con le lame. Riposizionare il boccale in vetro e riaccendere l'elettrodomestico.

Frullati e frappé

Utilizzare il programma “**smoothie**” per la preparazione di frullati a base di frutta, verdura e latte.

Versare almeno 200 ml di liquidi all'interno del boccale, aggiungere altri ingredienti tagliati in pezzi da circa 2 x 2 cm, fino al segno **max** (1800 ml) (vedere la sezione Ricette) (3).

Applicare al boccale il coperchio con chiusura (4) e premere il tasto “**smoothie**” (5), (7). L'apparecchio frulla il contenuto del boccale fino ad ottenere un frullato/frappé; si arresta automaticamente al termine del programma.

Ruotare la manopola in posizione “**O – OFF**” (6). Sollevare il boccale in vetro dalla base, togliere il coperchio con chiusura e versare la bevanda.

Avvertenza

Per interrompere immediatamente il frullatore durante qualsiasi programma, premere il pulsante retroilluminato del programma attivo e il frullatore si fermerà.

Creme e alimenti per bambini

Utilizzare il programma di “**puree**” per la preparazione di passati di verdura e puree di frutta, alimenti per bambini a base di frutta ecc (8).

Versare almeno 200 ml di liquidi nel boccale e aggiungere altri ingredienti tagliati a pezzetti, non oltre il segno **max** (1800 ml) (vedere la sezione Ricette).

Applicare al boccale il coperchio con chiusura e premere il tasto “**puree**”. L'apparecchio frulla il contenuto del boccale fino ad ottenere una crema; si arresta automaticamente al termine del programma.

Ruotare la manopola in posizione “**O – OFF**”. Sollevare il boccale in vetro dalla base, rimuovere il coperchio e versare la crema dal boccale aiutandosi con uno strumento adatto come una spatola.

Ghiaccio tritato

Utilizzare il programma “**ice**” per preparare ghiaccio tritato o granita alla frutta (9).

Per ottenere il ghiaccio tritato, riempire il boccale in vetro con cubetti di ghiaccio fino al segno di 600 ml senza aggiungere liquidi.

Per ottenere granite alla frutta, versare circa 0,5 dl di sciroppo di frutta nel boccale in vetro e aggiungere ghiaccio a cubetti fino al segno 600 ml (vedere la sezione Ricette).

Applicare al boccale il coperchio con chiusura e premere il tasto “**ice**”. L'apparecchio frulla il contenuto del boccale fino ad ottenere una granita; si arresta automaticamente al termine del programma.

Ruotare la manopola in posizione “**O – OFF**”. Sollevare il boccale in vetro dalla base, rimuovere il coperchio e versare la granita o il ghiaccio dal boccale aiutandosi con uno strumento adatto come una spatola.

Avvertenza: Utilizzare cubetti di ghiaccio di dimensioni comuni, non più di 2 x 2 cm, per preparare il ghiaccio tritato e non superare la capacità di 600 ml.

Consiglio utile

Utilizzare la chiusura graduata del coperchio per dosare piccole quantità di ingredienti come sciroppi di frutta per le granite, e per aggiungere gli ingredienti durante l'uso con funzione pulse (vedere la sezione Aggiungere gradualmente gli ingredienti in modalità pulse).

Funzione Pulse

Per preparare bevande o alimenti per bambini con un alto contenuto di ingredienti solidi o densi come tuberi, zucca, noci, yogurt, gelato, ecc. utilizzare la funzione pulse aggiungendo gradualmente gli ingredienti (10).

Versare almeno 200 ml di liquidi all'interno del boccale in vetro e aggiungere gli ingredienti tagliati a pezzetti, fino al segno 1000 ml.

Premere ripetutamente e rilasciare la funzione pulse fino a quando il composto non avrà raggiunto la consistenza desiderata.

Aggiungere liquidi e ingredienti solidi in modalità pulse

Rilasciare l'interruttore pulse e attendere che il frullatore si arresti. Rimuovere la chiusura trasparente dal coperchio ruotandola leggermente in senso antiorario e aggiungere nel boccale in vetro, attraverso l'apertura, gli ingredienti liquidi e quelli solidi tagliati a pezzetti.

Riposizionare la chiusura e continuare ad usare la funzione pulse con gli ingredienti aggiunti gradualmente.

Frullare con la funzione di controllo della velocità

Utilizzare la funzione di controllo della velocità per la preparazione di altri cibi e bevande.

Versare almeno 200 ml di liquidi all'interno del boccale in vetro e aggiungere gli ingredienti tagliati, non oltre il segno **max** (1800 ml).

Ruotare la manopola in posizione **"min"**; l'apparecchio inizierà a frullare il contenuto a bassa velocità.

Aumentare o ridurre la velocità ruotando la manopola di controllo tra **"min"** e **"max"** (11) fino a quando il composto non avrà raggiunto la consistenza desiderata.

Avviso importante

Non lasciare il frullatore in funzione per più di 120 secondi consecutivi!

In caso di funzionamento prolungato per più di 120 secondi consecutivi, l'apparecchio si surriscalderà e si spegnerà di conseguenza per motivi di sicurezza. In tal caso, scollegare il frullatore dalla rete elettrica, non usarlo per 30 minuti, ricollegarlo e continuare a frullare. Se l'indicatore blu lampeggia dopo 30 minuti dallo spegnimento ma l'apparecchio non frulla, attendere altri 10–20 minuti e poi continuare a frullare.

Se la frutta o le verdure da frullare sono troppo dure o tagliate in pezzi troppo grandi, l'apparecchio si ferma. Impostare il controllo sulla posizione **"O – OFF"** e rimuovere i pezzi troppo duri o troppo grandi dal boccale, scartarli o tagliarli in pezzi più piccoli, inserirli nuovamente nel boccale e continuare a frullare.

Pulizia rapida

Per pulire rapidamente il boccale in vetro e le lame da eventuali residui di polpa ecc., riempire il contenitore con acqua pulita non oltre il segno **max** (1800 ml), chiudere il coperchio e premere e rilasciare ripetutamente il tasto di funzione pulse.

Smontaggio

Ruotare la manopola sulla posizione **"O – OFF"** (12), scollegare il cavo di alimentazione e smontare il frullatore. Rimuovere la chiusura del coperchio e rimuovere il coperchio dal boccale in vetro. Svitare il connettore con le lame dal boccale in vetro (13), premere le lame dal basso e rimuoverle dal connettore (14). **Le lame del frullatore sono molto affilate – prestare la massima attenzione nel maneggiarle.**

Consiglio utile: Per sbloccare il connettore più facilmente, posizionare il boccale nella base, premere verso il basso e sbloccare il connettore muovendo le mani in senso antiorario (15).

Pulizia

Il boccale in vetro, il coperchio e la chiusura graduata sono lavabili in lavastoviglie; lavare le lame e il connettore sotto acqua corrente e asciugare; non lavare in lavastoviglie. Se necessario, pulire la base del frullatore con un panno asciutto. Non lavare sotto acqua corrente né in lavastoviglie.

Avvertenza

Il Frullatore PRESIDENT 1,8l ha lame molto affilate, prodotte in acciaio inossidabile. Un utilizzo intensivo o inappropriato (con ingredienti troppo duri o troppo grandi) causa inevitabilmente un danno alle lame; tale danno non è contestabile. Per le lame di ricambio, rivolgersi al proprio rivenditore o a un centro assistenza TESCOMA; si veda il sito www.tescoma.it.

Una garanzia della durata di 2 anni si applica a questo prodotto a partire dalla data di acquisto.

Ricette

Smoothies di frutta e verdura (programma “smoothie”)

Per frullati di frutta e verdura (smoothies), sbucciare la frutta e la verdura e tagliarle (in pezzi di 2 x 2 cm al massimo), aggiungendo la quantità necessaria di liquidi, in genere circa 600 ml di acqua, succo di frutta, latte, ecc. fino al segno 1800 ml.

Tipi di frutta consigliati: Banane, mele, pere, albicocche, pesche, mango, limoni, pompelmi, kiwi, arance, mandarini, meloni, frutti di bosco, tutti i tipi di frutta di stagione, ecc.

Tipi di verdura consigliati: Carote, gambi di sedano, prezzemolo, barbabietole, ravanelli, vari tipi di insalate ed erbe aromatiche, per es. cavolo cinese, spinaci, cavolo, rucola, valeriana, indivia, crescione, ortica, tarassaco, piantaggine, aglio selvatico, ecc.

Per esaltare il gusto e le proprietà nutritive, è possibile aggiungere frutta secca intera, semi di sesamo, semi di lino, chia, girasole, zucca o canapa, frutta essiccata ed ammollata o spezie come cannella, bacche di goji, ecc.

Tutte le seguenti ricette si riferiscono a 1800 ml di bevande o di alimenti – ridurre la quantità di tutti gli ingredienti in modo proporzionale per prepararne in quantità minore.

Smoothie ai frutti di bosco

150 g di misto di lamponi, more e ciliegie, 150 g di mirtilli, 1 kiwi sbucciato e tagliato a pezzetti, 600 ml d'acqua

Smoothie di banana e mirtilli

5 banane, 200 g mirtilli, 500 ml di latte, 2 cucchiaini di miele

Smoothie al mango

700 g di mango, 300 ml di yogurt bianco, 450 ml di latte freddo di frigo, una goccia di estratto di vaniglia, un pizzico di sale

Smoothie di mela e cetriolo

450 g di mele, 250 g di cetriolo fresco, 600 ml di succo di mela, noce moscata e cannella a piacere

Smoothie alla banana e barbabietola

3 banane, 300 g di barbabietola, 150 g di yogurt bianco, 500 ml di succo di mela, 1 pezzettino di zenzero fresco grattugiato, semi di chia ammollati

Smoothie al pomodoro e carota

500 g di pomodori, 150 g di carote, 150 g di gambi di sedano, 400 ml di succo di mela, salsa piccante a piacere

Bevande a base di latte (programma “smoothie”)

Frappé alla fragola

250 g di fragole, 600 ml di latte di soia, 3 banane, 60 g di fiocchi d'avena, 5 cucchiaini di miele

Frappé alla banana

250 g di gelato alla vaniglia, 5 banane, 750 ml di latte

Frappé al cioccolato

500 g di gelato al cioccolato, 500 ml di latte, 21 g di caffè solubile, 2 cucchiaini di miele

Frappé alla pesca

700 g di pesche, 250 g di gelato alla vaniglia, 350 ml di latte

Puree di frutta e alimenti per bambini (programma “puree”)

Purea di mela

5 mele grandi sbucciate e tagliate a pezzetti, 400 ml di acqua, miele q.b.

Purea di albicocca

500 g di albicocche, 400 g di mela sbuccata e tagliata a pezzetti, 450 ml di succo di mela, 5 cucchiaini di miele

Puree di verdure (programma “puree”)

Purea di cavolfiore

600 g di cavolfiore, 125 ml di panna (da montare 33 % di grassi), 30 g di burro

Procedimento: Bollire le cimette di cavolfiore per circa 15 minuti in acqua salata, saltarle con 15 g di burro e lasciarle raffreddare leggermente. Inserire nel boccale del frullatore il cavolfiore saltato, la panna e i restanti 15 g di burro, aggiungere sale e pepe e chiudere, premere il pulsante di “puree” e frullare fino ad ottenere una crema.

Purea di piselli

500 g di piselli surgelati, 2 cipolle, 125 ml di panna da montare (33 % di grassi), 100 ml di brodo vegetale, 2 cucchiaini di burro, 1 foglia di menta

Procedimento: Lessare i piselli nel brodo fino a farli ammorbidire, aggiungere la panna e cuocere ancora brevemente. Una volta tiepidi, inserire i piselli nel boccale insieme alla panna, aggiungere il burro e circa una metà del soffritto di cipolle precedentemente preparato, aggiungere sale e pepe e chiudere il coperchio. Premere il pulsante “puree” e frullare i piselli a crema. Servire la purea accompagnata dal restante soffritto di cipolla e guarnire con la foglia di menta.

Purea di patate e zucca

400 g di patate bollite con la buccia, 250 g di zucca, 1 cipolla media, 100–200 ml di latte (a seconda di quanto è acquosa la zucca), 10 g di burro, 2 cucchiaini di salsa di soia, 1 pizzico di noce moscata, un filo d'olio

Procedimento: Soffriggere leggermente la cipolla tagliata finemente con un filo d'olio, aggiungere la zucca tagliata a dadini (con la buccia), il burro, il latte e la salsa di soia. Aggiungere sale e pepe al composto, insaporire con la noce moscata e cuocere per circa 10 minuti. Una volta tiepido, inserire il composto nel boccale insieme alle patate lasciate raffreddare e tagliate a pezzetti, chiudere, premere il pulsante “puree” e frullare fino ad ottenere una crema.

Ghiaccio tritato (programma “ice”)

Ghiaccio tritato

600 ml di cubetti di ghiaccio

Procedimento: Mettere i cubetti di ghiaccio (non più grandi di 2 x 2 cm) nel frullatore, chiudere il contenitore, premere il pulsante “ice” e ricavare il ghiaccio tritato.

Granita alla frutta

600 ml di cubetti di ghiaccio, 50 ml di sciroppo di frutta

Procedimento: Mettere i cubetti di ghiaccio (non più grandi di 2 x 2 cm) nel boccale del frullatore, versare lo sciroppo di frutta, chiudere il coperchio. Premere il pulsante “ice” e ricavare la granita alla frutta.

es Instrucciones de uso

Instrucciones de seguridad

Diseñada para uso doméstico. No utilizar la batidora para uso comercial, al aire libre ni para otro propósito que no sea el adecuado.

El aparato puede ser utilizado por niños a partir de 8 años de edad y por personas con capacidades físicas, sensoriales o mentales reducidas o sin experiencia ni conocimientos, sólo bajo supervisión o después de que hayan sido instruidos en el uso seguro del aparato y entender los riesgos relacionados. Los niños no pueden jugar con el aparato; la limpieza y mantenimiento no puede realizarse por niños sin supervisión.

Verificar siempre que el botón está en la posición “**O – OFF**” antes de conectar el enchufe a la toma de corriente; girar siempre el botón a la posición “**O – OFF**” antes de desconectar el cable de alimentación de la corriente, después retirar el enchufe de la pared.

Apagar siempre la batidora y desconectar de la fuente de alimentación si se deja desatendida y antes de su montaje, desmontaje, limpieza o manipulación de piezas que se mueven en uso.

No sumergir el aparato, el cable ni el enchufe en el agua. No dejar que el cable cuelgue sobre el borde de una mesa o encimera o toque superficies calientes, no colocar cerca de cocinas calientes de gas o eléctricas o cerca de un horno caliente.

Antes de cada uso, asegurar que la pieza de conexión con cuchillas de corte y el recipiente de vidrio con tapa están totalmente unidos. El uso de accesorios no autorizados puede causar incendio, descargas eléctricas o lesiones.

No utilizar nunca el producto si el recipiente no contiene ningún líquido o está vacío. No llenar en exceso el depósito. Utilizar siempre la batidora con la tapa puesta.

Las cuchillas de acero inoxidable están muy afiladas. Ser muy cuidadoso al manejar las cuchillas, no utilizar la licuadora con las cuchillas dañadas.

Evitar el contacto con las partes móviles del aparato. Mantener las manos y utensilios fuera del recipiente mientras esté mezclando. Se puede utilizar una espátula pero solo cuando la batidora no está en funcionamiento.

No utilizar agua para limpiar la base del motor – riesgo de lesiones.

ATENCIÓN: Para evitar el peligro debido a un restablecimiento involuntario de corte térmico, el aparato no debe alimentarse a través de un dispositivo de conmutación externo como un temporizador ni estar conectado a un circuito que se encienda y apague regularmente. Si el corte térmico se produce mientras el aparato está en funcionamiento, apagar el aparato, desconectar el enchufe de la toma de corriente y dejar enfriar el producto antes de utilizarlo de nuevo.

¡ADVERTENCIA! No levantar el recipiente de vidrio de la base si la batidora está en funcionamiento o las cuchillas están girando. Esperar siempre a que las cuchillas de corte paren antes de levantar el recipiente de la base.

El aparato cumple las normas de seguridad aplicables. El cable de corriente se puede reparar o reemplazar sólo por centros de servicio autorizados; datos de contacto disponibles en www.tescoma.es. Reparaciones incorrectas o realizadas por inexpertos no pueden ser reclamadas.

Parámetros técnicos

Contenido MIN/MAX: 200/1800 ml

Voltaje: 220–240 V

Potencia de entrada: 1800 W

Frecuencia: 50/60 Hz

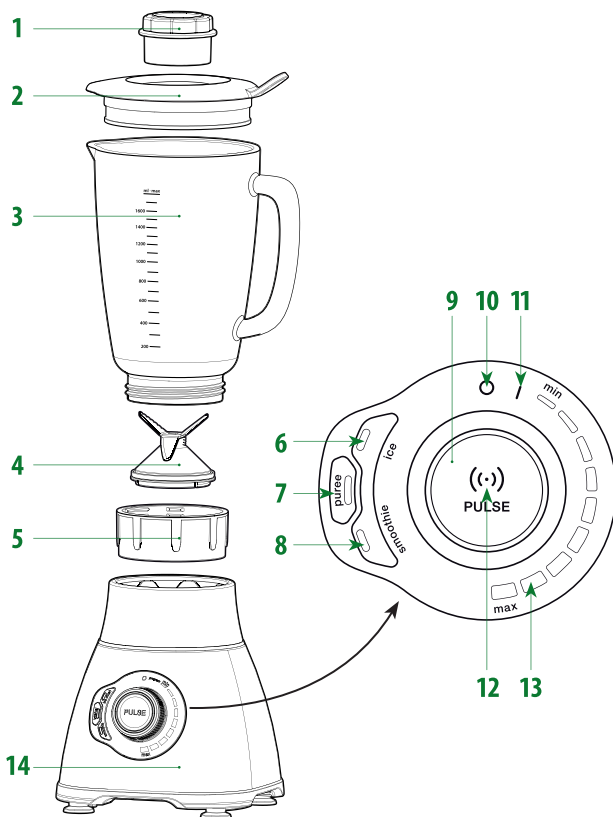
Revoluciones: max. 22000/min

Nivel de ruido: Menos de 85 dB

Longitud del cable de corriente: 110 cm

Descripción

1. Cierre de la tapa
2. Tapa con apertura
3. Recipiente de vidrio con escala
4. Cuchillas
5. Pieza de conexión
6. Programa de hielo picado (ice)
7. Programa de puré (puree)
8. Programa de batido (smoothie)
9. Asa
10. Off (O)
11. On (I)
12. Interruptor de función de pulso (PULSE)
13. Indicador de velocidad (min/max)
14. Base con cable, enchufe y ventosas



Antes del primer uso

Desenvolver la batidora, desmontar, lavar y secar (ver las secciones Desmontaje y Limpieza).

Aviso

No utilizar la batidora para picar carne. No colocar ingredientes o líquidos en el recipiente de vidrio con una temperatura superior a 50 °C. No utilizar el recipiente de vidrio en un horno microondas.

Conexión a la corriente

Presionar la base en una superficie limpia y lisa. Asegurarse de que la base se fije firmemente y girar el asa a la posición “O – OFF”. Conectar el cable con el enchufe a la corriente a 220–240 V.

Encendido

Introducir el envase de vidrio con la pieza de conexión apretada y las cuchillas colocadas en la base de la licuadora (1).

Girar el asa a la posición “I – ON” (2). Las luces indicadoras de los programas y el interruptor de la función de pulso comenzarán a parpadear; la batidora está lista para usar.

Aviso: Si las luces indicadoras no funcionan después de encender el aparato, girar el asa a la posición “O – OFF”, levantar el recipiente de la base y ajustar la pieza de conexión con las cuchillas con más firmeza. Volver a colocar el recipiente de vidrio en su lugar y volver a encender el aparato.

Batidos y cócteles

Utilizar el programa “**smoothie**” para la preparación de cócteles de frutas, verduras y leche.

Verter un mínimo de 200 ml de líquido en el recipiente, añadir otros ingredientes cortados con un tamaño no superior a 2 x 2 cm hasta la marca de **max** (1800 ml) (ver sección Recetas) (3).

Colocar la tapa con el cierre en el recipiente (4) y presionar el botón “**smoothie**” (5), (7). La licuadora procesará el contenido del recipiente y preparará un batido/cóctel; se detendrá automáticamente cuando se haya completado el programa.

Girar el asa a la posición “**O – OFF**” (6). Levantar el recipiente de vidrio de la base, quitar la tapa con cierre y verter la bebida.

Aviso: Para detener inmediatamente la batidora durante cualquier programa, pulsar el botón retroiluminado del programa activo y la batidora se detendrá.

Purés y alimentos infantiles

Utilizar el programa “**puree**” para la preparación de purés de verdura y fruta, alimentos infantiles de fruta, etc (8).

Verter un mínimo de 200 ml de líquido en el recipiente y, añadir el resto de ingredientes cortados hasta la marca **max** (1800 ml) como máximo (ver sección Recetas).

Colocar la tapa con el cierre en el recipiente y presionar el botón “**puree**”. La licuadora procesará el contenido del recipiente y preparará un puré; se detendrá automáticamente cuando se haya completado el programa.

Girar el asa a la posición “**O – OFF**”. Levantar el recipiente de vidrio de la base, retirar la tapa y retirar el puré del recipiente utilizando un utensilio adecuado como una espátula.

Hielo picado

Utilizar el programa “**ice**” para preparar hielo picado o hielo triturado con sabor a fruta (9).

Para preparar hielo triturado claro, llenar el recipiente de vidrio con cubitos de hielo hasta la marca de 600 ml sin agregar líquidos.

Para preparar hielo triturado con sabor a fruta, verter aproximadamente 0,5 dl de sirope de fruta en el recipiente de vidrio y añadir cubitos de hielo hasta la marca de 600 ml (ver sección Recetas).

Colocar la tapa con el cierre en el recipiente y presionar el botón “**ice**”. La batidora procesará el contenido del recipiente y preparará hielo picado; se detendrá automáticamente cuando se haya completado el programa.

Girar el asa a la posición “**O – OFF**”. Levantar el recipiente de vidrio de la base, retirar la tapa y retirar el hielo picado del recipiente utilizando un utensilio adecuado como una espátula.

Aviso: Utilizar cubitos de hielo estándar con una medida no superior a 2 x 2 cm para preparar hielo picado y no exceder de 600 ml.

Consejo útil

Utilizar el cierre con escala para medir rápidamente una pequeña cantidad de ingredientes como el sirope de fruta en la elaboración de hielo picado con sabor a fruta y para añadir ingredientes cuando se utiliza la función de pulso (ver la sección Añadir ingredientes de forma gradual en la función de pulso).

Función de pulso

Para preparar bebidas o alimentos con un alto contenido de ingredientes sólidos o gruesos como tubérculos, calabazas, nueces, yogur, helado, etc., utilizar la función de pulso mientras se añaden ingredientes de forma gradual (10).

Verter un mínimo de 200 ml de líquido en el recipiente de vidrio y añadir el resto de ingredientes cortados hasta aprox. la marca de 1000 ml.

Presionar y soltar repetidamente la función de pulso hasta que la mezcla quede con la consistencia necesaria.

Añadir ingredientes de forma gradual en la función de pulso

Soltar el interruptor de función de pulso y esperar a que la batidora se detenga. Quitar el cierre de la tapa girándola ligeramente hacia la derecha y añadir más ingredientes cortados al recipiente a través de la abertura.

Ajustar el cierre de nuevo y continuar con la función de pulso con los ingredientes añadidos de forma gradual.

Mezclar con control de velocidad suave

Utilizar la batidora con la función de control de velocidad suave para preparar otras bebidas y alimentos.

Verter un mínimo de 200 ml de líquido en el recipiente de vidrio y añadir el resto de ingredientes cortados hasta la marca **max** (1800 ml) como máximo.

Girar el asa a la posición “**min**”; el aparato comenzará a mezclar el contenido a una velocidad baja.

Aumentar o reducir la velocidad girando el control entre “**min**” y “**max**” (11) hasta que el compuesto quede mezclado con la consistencia necesaria.

Aviso importante

¡No utilizar nunca la batidora durante más de 120 segundos seguidos!

El aparato se recalienta y se apaga por motivos de seguridad al batir repetidamente durante más de 120 segundos seguidos. Si esto sucede, desconectar la batidora de la corriente, no utilizar durante 30 minutos, conectar de nuevo y continuar batiendo. Si el indicador azul parpadea después haber transcurrido los 30 minutos desde que se encendió el aparato y el aparato no mezcla, esperar de 10 a 20 minutos más y después continuar batiendo.

Si las frutas o verduras que se están mezclando son demasiado duras o los trozos cortados son demasiado grandes, el aparato se detendrá. Ajustar el control a la posición “**O – OFF**” y retirar los pedazos que son demasiado duros o muy grandes del recipiente, desecharlos o cortarlos en trozos más pequeños, colocar dentro del recipiente y continuar batiendo.

Limpieza rápida

Para limpiar rápidamente el recipiente de vidrio y las cuchillas de corte de los residuos de pulpa, etc. llenar el recipiente con agua limpia hasta la marca **max** (1800 ml) como máximo, fijar la tapa con el cierre y presionar y soltar varias veces el interruptor de función de pulso.

Desmontaje

Girar el asa a la posición “**O – OFF**” (12), desconectar el cable de la corriente y desmontar la batidora. Quitar el cierre de la tapa y retirar la tapa del recipiente de vidrio. Desenroscar la pieza de conexión con las cuchillas del recipiente de vidrio (13), presionar las cuchillas desde abajo y retirarlas de la pieza de conexión (14). **¡Sea muy cuidadoso al manipular las cuchillas; las cuchillas están muy afiladas!**

***Consejo útil:** Para soltar la pieza de conexión más fácilmente, colocar el recipiente en la base, presionar hacia abajo y soltar la pieza de conexión girando su mano en sentido contrario a las agujas del reloj (15).*

Limpieza

El recipiente de vidrio, la tapa y el cierre con escala son aptos para lavavajillas; lavar las cuchillas y la pieza de conexión bajo el grifo de agua corriente y secar; no lavar en lavavajillas. Si es necesario, limpiar la base de la batidora con un paño seco. No lavar bajo el grifo de agua corriente ni en el lavavajillas.

Aviso

La Batidora de vaso PRESIDENT 1,8 l viene con unas cuchillas especialmente afiladas fabricadas de acero inoxidable de alta calidad. Un uso intenso o inadecuado (con ingredientes demasiado duros o demasiado grandes) hace que las cuchillas pierdan el filo, lo cual no puede ser reclamado. Para repuesto de cuchillas, contactar con su distribuidor o con un centro de servicio TESCOMA; para datos de contacto, visitar www.tescoma.es.

Un período de 2 años de garantía se aplica a este producto.

Recetas

Batidos de frutas y verduras (programa “smoothie”)

Para cócteles de fruta y verduras (batidos), pelar y cortar fruta y verduras (en trozos de 2 x 2 cm como máximo), añadir la cantidad necesaria de líquidos, (por ejemplo, aproximadamente 600 ml de agua, zumo de fruta, leche, etc.) hasta 1800 ml de contenido.

Tipos de fruta adecuados: Plátanos, manzanas, peras, albaricoques, melocotones, mangos, limones, pomelos, kiwis, naranjas, mandarinas, melones, frutas del bosque, todo tipo de fruta de temporada, etc.

Tipos de verduras adecuados: Zanahorias, tallos de apio, perejil, remolacha, rábanos, varias clases de ensaladas y hierbas, por ejemplo, repollo, espinacas, col, canónigos, escarola, berro, ortiga, diente de león, ajos tiernos, etc.

Para mejorar el sabor y valor nutricional, puede agregar nueces enteras, semillas remojadas de sésamo, linaza, chia, girasol, calabaza o cáñamo, frutas deshidratadas remojadas o especias aromáticas como canela, bayas de goji, etc.

Las siguientes recetas son para 1800 ml de bebida o comida – reducir la cantidad de todos los ingredientes proporcionalmente para preparar menor cantidad de bebida o comida.

Batido con frutas del bosque

150 g de mezcla de frambuesas, moras y cerezas, 150 g de arándanos, 1 kiwi, 600 ml de agua

Batido de plátano y arándanos

5 plátanos, 200 g de arándanos, 500 ml de leche, 2 cucharaditas de miel

Batido de mango

700 g de mango, 300 g de yogur blanco, 450 ml de leche fría, 1 gota de extracto de vainilla, una pizca de sal

Batido de manzana y pepino

450 g de manzanas, 250 g de pepino fresco, 600 ml de zumo de manzana, nuez moscada y canela al gusto

Batido de plátano y remolacha

3 plátanos, 300 g de remolacha, 150 g de yogur blanco, 500 ml de zumo de manzana, 1 trozo de jengibre fresco entero o rallado, semillas de chia remojadas

Batido de tomate y zanahoria

500 g de tomates, 150 g de zanahoria, 150 g de tallos de apio, 400 ml de zumo de manzana, salsa picante al gusto

Batidos de leche (programa “smoothie”)

Batido de fresa

250 g de fresas, 600 ml de leche de soja, 3 plátanos, 60 g de avena, 5 cucharaditas de miel

Batido de plátano

250 g de helado de vainilla, 5 plátanos, 750 ml de leche

Batido de chocolate

500 g de helado de chocolate, 500 ml de leche, 21 g de cereales instantáneos, 2 cucharaditas de miel

Batido de melocotón

700 g de melocotones, 250 g de helado de vainilla, 350 ml de leche

Purés de fruta y papillas de fruta para niños (programa “puree”)

Puré de manzana

5 manzanas grandes peladas y cortadas, 400 ml de agua, miel al gusto

Puré de albaricoque para bebé

500 g de albaricoques, 400 g de manzanas peladas y cortadas, 450 ml de zumo de manzana, 5 cucharaditas de miel

Purés de verduras (programa “puree”)

Puré de coliflor

600 g de coliflor, 125 ml nata para montar (33 % de materia grasa), 30 g mantequilla

Receta: Hervir la coliflor durante unos 15 minutos en agua con sal, saltear en 15 g de mantequilla y dejar enfriar parcialmente. Colocar la coliflor salteada, la nata y los 15 g de mantequilla restantes en la batidora, añadir sal y pimienta y cerrar, presionar el botón “puree” y procesar hasta obtener un puré fino de coliflor.

Puré de guisantes

500 g de guisantes congelados, 2 cebollas, 125 ml de nata para montar (33 % de materia grasa), 100 ml de caldo de verduras, 2 cucharadas de mantequilla, hojas de menta

Receta: Hervir los guisantes en el caldo de verduras hasta que estén blandos, añadir la nata y hervir brevemente. Colocar los guisantes templados con la nata en el recipiente de la batidora, añadir la mantequilla y la mitad de la cebolla finamente cortada previamente frita, añadir sal y pimienta a la mezcla y cerrar el recipiente. Presionar el botón “puree” y procesar hasta obtener un puré de guisantes. Servir adornada con la mitad restante de la cebolla frita y con hojas de menta.

Puré de patata y calabaza

400 g de patatas hervidas con piel, 250 g de calabaza, 1 cebolla mediana, de 100 a 200 ml de leche (dependiendo de lo acuosa que sea la calabaza), 10 g de mantequilla, 2 cucharaditas de salsa de soja, una pizca de nuez moscada, un poco de aceite

Receta: Freír ligeramente la cebolla finamente cortada, añadir la calabaza (con piel) cortada a dados, mantequilla, leche y salsa de soja. Añadir sal y pimienta a la mezcla, sazonar con nuez moscada y dejar rehogar durante unos 10 minutos. Colocar la mezcla templada y las patatas templadas peladas y cortadas en pedazos pequeños en el recipiente de la batidora, cerrar, presionar el botón “puree” y procesar hasta obtener el puré de patata y calabaza.

Hielo picado (programa “ice”)

Hielo picado

600 ml de cubitos de hielo

Receta: Colocar los cubitos de hielo (no más grandes de 2 x 2 cm) en la batidora, cerrar el recipiente, presionar el botón “ice” y preparar hielo picado.

Hielo picado con sabor a fruta

600 ml de cubitos de hielo, 50 ml de sirope de fruta

Receta: Colocar los cubitos de hielo (no más grandes de 2 x 2 cm) en la batidora, verter el sirope de fruta, cerrar el recipiente. Presionar el botón “ice” y preparar hielo picado con sabor.

pt Instruções de utilização

Instruções de segurança

Destinado para uso doméstico. Não utilizar o liquidificador para uso comercial, no exterior e para outra finalidade que não seja a sua função específica.

O aparelho pode ser usado por crianças a partir dos 8 anos de idade e pessoas com capacidades físicas, sensoriais ou mentais reduzidas ou falta de experiência e conhecimento, apenas devem usar este electrodoméstico sob supervisão ou depois de terem sido devidamente instruídos sobre o seu uso seguro e compreender os riscos relacionados. As crianças não podem brincar com o aparelho. A utilização e limpeza do aparelho não podem ser feitas por crianças sem supervisão.

Verificar sempre se o botão está na posição “**O – OFF**” antes de ligar a ficha à tomada. Desligar sempre para a posição “**O – OFF**” antes de retirar o cabo de alimentação e, em seguida, retirar a ficha da tomada.

Desligar sempre o liquidificador e desligar da tomada se for deixado sem vigilância e também antes de montar, desmontar, limpar ou manusear.

Não submergir em água o aparelho, o cabo de corrente e a ficha. Não deixar o cabo de alimentação pendurado na extremidade de uma mesa ou bancada ou tocar em superfícies quentes, não colocar sobre ou perto de um fogão a gás ou elétrico quente ou perto de um forno aquecido.

Antes de cada utilização, verificar se a peça com as lâminas de corte e o recipiente de vidro com tampa estão completamente bem montadas. Usar peças não autorizadas pode causar incêndio, choque elétrico ou ferimentos.

Nunca utilizar o aparelho com o recipiente vazio sem nenhum líquido. Não encher demasiado o recipiente. Usar sempre o liquidificador com a tampa.

As lâminas de corte de aço inoxidável são muito afiadas. Ter muito cuidado ao manusear as lâminas, não usar o liquidificador com as lâminas de corte danificadas.

Evitar contacto com as peças amovíveis do aparelho. Manter as mãos e os utensílios afastadas do recipiente enquanto mistura. Pode usar uma espátula unicamente quando o liquidificador não está em funcionamento.

Não limpar a base do motor com água – risco de lesão.

ATENÇÃO: Para evitar o perigo, devido ao corte térmico, o aparelho não deve estar ligado à corrente através de um dispositivo de comutação externo como um temporizador ou ligado a um circuito que regularmente é ligado e desligado. Se o corte térmico é activado enquanto o aparelho é operado, por favor, desligar o aparelho, retirar a ficha da fonte de alimentação e deixar o aparelho arrefecer antes de o usar novamente.

AVISO: Não levantar o recipiente de vidro da base se o liquidificador estiver a funcionar ou se as lâminas de corte estiverem a girar. Esperar que as lâminas de corte parem antes de levantar o recipiente da base.

O electrodoméstico cumpre as normas de segurança aplicáveis. O cabo de alimentação pode ser reparado ou substituído apenas por centros de assistência autorizados. Os contactos estão disponível em **www.tescoma.pt**. Reparações realizadas incorretamente não podem ser reclamadas.

Parâmetros técnicos

Conteúdo MIN/MAX: 200/1800 ml

Voltagem: 220–240 V

Entrada de alimentação: 1800 W

Frequência: 50/60 Hz

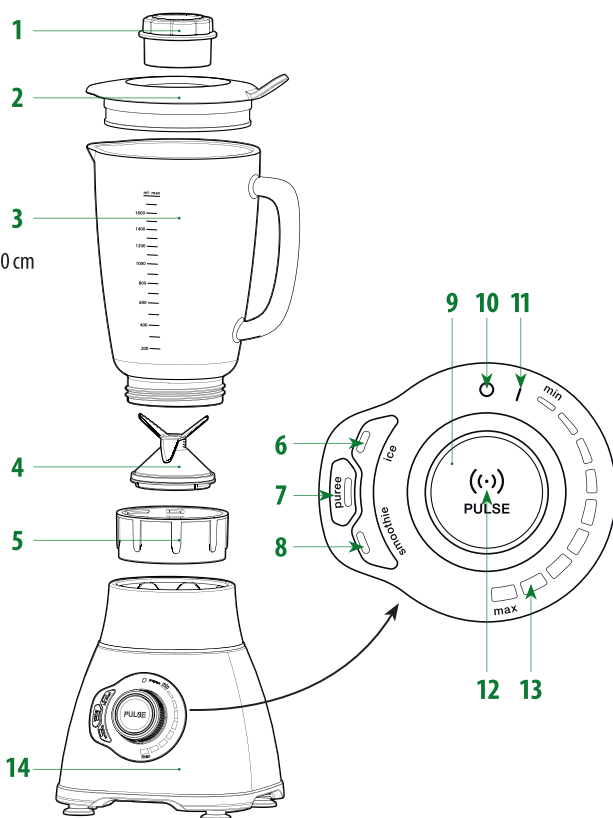
Velocidade: máx. 22000/min

Nível de ruído: Menos de 85 dB

Comprimento do cabo de alimentação: 110 cm

Legenda

1. Copo da tampa
2. Tampa com abertura
3. Recipiente de vidro com escala
4. Lâminas de corte
5. Peça de ligação
6. Programa de gelo picado (ice)
7. Programa de purés (puree)
8. Programa de batidos (smoothie)
9. Botão seletor rotativo
10. Off (O)
11. On (I)
12. Interruptor de função pulsar (PULSE)
13. Indicador de velocidade (min/max)
14. Base com fio, ficha e ventosas



Antes da primeira utilização

Desempacotar o liquidificador, desmontar, lavar e secar (ver secções Desmontagem e Limpeza).

Aviso

Não utilizar o liquidificador para cortar carne. Não colocar líquidos e ingredientes no recipiente de vidro com uma temperatura superior a 50 °C. Não utilizar o recipiente de vidro no microondas.

Ligar à fonte de alimentação

Pressionar a base a uma superfície limpa e lisa. Confirmar que a base está firmemente colocada e rodar o botão para a posição “O – OFF”. Ligar o cabo com a ficha à tomada de 220–240 V.

Ligar

Inserir bem o recipiente de vidro com a peça de ligação e as lâminas de corte na base do liquidificador (1).

Rodar o botão para a posição “I – ON” (2). As luzes indicadoras dos programas e o interruptor da função pulsar começarão a piscar. O liquidificador está pronto para ser usado.

Aviso: Se as luzes não se acenderem depois de ligar o aparelho, virar o botão para a posição “O – OFF”, levantar o recipiente da base e apertar a peça de ligação com as lâminas de corte mais firmemente. Voltar a colocar o recipiente de vidro no lugar e ligar o aparelho novamente.

Batidos e cocktails

Usar o programa **“smoothie”** para a preparação de batidos de frutas, legumes e cocktails de leite.

Verter pelo menos 200 ml de líquidos no recipiente, adicionar outros ingredientes cortados não mais que 2 x 2 cm até a marca de **max** (1800 ml) (ver Receitas) (3).

Colocar a tampa com o copo no recipiente (4) e pressionar o botão de **“smoothie”** (5), (7). O liquidificador irá processar o conteúdo do recipiente e preparar um batido/cocktail. Irá parar automaticamente quando o programa estiver concluído.

Rodar o botão para a posição **“O – OFF”** (6). Levantar o recipiente de vidro da base, retirar a tampa com copo e verter a bebida.

Aviso

Para parar imediatamente o liquidificador durante qualquer programa, pressionar o botão acesso do programa activo e o liquidificador vai parar.

Purés e alimentos para crianças

Use o programa **“puree”** para a preparação de purés de frutas e legumes, comida para crianças etc (8).

Verter pelo menos 200 ml de líquidos no recipiente, adicionar outros ingredientes até à marca de **max** (1800 ml) no máximo (ver Receitas).

Colocar a tampa com o copo no recipiente e pressionar o botão **“puree”**. O liquidificador irá processar o conteúdo do recipiente e preparar um puré. Irá parar automaticamente quando o programa estiver concluído.

Rodar o botão para a posição **“O – OFF”**. Levantar o recipiente de vidro da base, retirar a tampa e retirar o puré do recipiente utilizando um utensílio adequado como uma espátula.

Gelo picado

Usar o programa **“ice”** para preparar gelo esmagado ou gelo picado com sabor a fruta (9).

Para preparar gelo picado, encher o recipiente de vidro com cubos de gelo até a marca de 600 ml sem adição de líquidos.

Para preparar gelo picado com sabor a fruta, verter aproximadamente 0,5 dl de concentrado de fruta no recipiente de vidro e adicionar cubos de gelo até à marca de 600 ml (ver Receitas).

Colocar a tampa com o copo no recipiente e pressionar o botão **“ice”**. O liquidificador irá processar o conteúdo do recipiente para gelo picado. Irá parar automaticamente quando o programa estiver concluído.

Rodar o botão para a posição **“O – OFF”**. Levantar o recipiente de vidro da base, retirar a tampa e remover o gelo picado do recipiente utilizando um utensílio adequado como uma espátula.

Aviso: Usar cubos de gelo normais medindo não mais que 2 x 2 cm para preparar o gelo picado e não exceder 600 ml.

Conselho útil

Usar o copo com escala para medir rapidamente uma pequena quantidade de ingredientes, tal como concentrado de fruta na preparação de gelo picado com sabor a fruta e para adicionar ingredientes ao usar a função pulsar (consultar a secção Adicionar gradualmente ingredientes no modo pulsar).

Função pulsar

Para preparar bebidas ou alimentos mais sólidos ou ingredientes mais espessos como por exemplo, tubérculos, abóboras, nozes, iogurte, gelado, etc., usar a função pulsar enquanto adiciona gradualmente os ingredientes (10).

Verter pelo menos 200 ml de líquidos no recipiente de vidro e adicionar os ingredientes cortados até à marca de 1000 ml.

Repetidamente, pressionar e soltar a função pulsar até a mistura ser processada e ficar com a consistência desejada.

Adicionar gradualmente os ingredientes no modo pulsar

Solte o botão pulse e esperar que o liquidificador pare. Remover o copo da tampa, virando-o ligeiramente para a esquerda e adicionar os ingredientes cortados no recipiente de vidro através da abertura.

Voltar a colocar o copo e continuar a executar a função pulsar adicionando gradualmente os ingredientes.

Processar com controle de velocidade contínuo

Usar a mistura com função de controle de velocidade contínuo para preparar outras bebidas e alimentos.

Verter pelo menos 200 ml de líquidos no recipiente de vidro e adicionar outros ingredientes cortados até à marca de **max** (1800 ml) no máximo.

Rodar o botão para a posição “**min**”. O aparelho vai começar a misturar o conteúdo a uma baixa velocidade.

Adicionar ou reduzir a velocidade rodando o controle entre “**min**” e “**max**” (11), até que o conteúdo é misturado com a consistência desejada.

Aviso importante

Não deixar o liquidificador a funcionar por mais de 120 segundos de cada vez!

O electrodoméstico vai sobreaquecer e desliga-se por razões de segurança quando funciona repetidamente por mais de 120 segundos seguidos. Se isso acontecer, desligar o liquidificador da corrente, não o usar durante 30 minutos, ligar novamente e continuar com o processamento. Se o indicador luminoso azul estiver a piscar após 30 minutos decorridos desde que ligou o aparelho, mas o aparelho não misturar correctamente, esperar cerca de 10 a 20 minutos e em seguida, continuar com o processamento.

Se a fruta ou os legumes ao serem misturados forem demasiado duros ou grandes, o aparelho poderá parar. Ajustar o controle para a posição “**O – OFF**” e retirar os pedaços mais duros ou grandes do recipiente, eliminá-los ou cortá-los em pedaços menores, colocar de volta no recipiente e continuar com o processamento.

Limpeza rápida

Para limpar rapidamente o recipiente de vidro e as lâminas de corte de resíduos, etc., encher o recipiente com água até à marca de 1800 ml no máximo, colocar a tampa com copo e repetidamente, pressionar e soltar o botão de pulsar.

Desmontagem

Rodar o botão para a posição “**O – OFF**” (12) desligar o cabo de alimentação e desmontar o liquidificador. Retirar o fecho da tampa e remover a tampa do recipiente de vidro. Desapertar a peça de ligação com as lâminas do recipiente de vidro (13), pressionar as lâminas de corte por baixo e removê-las da peça de ligação (14). **Ter muito cuidado ao manusear a peça de ligação e as lâminas. As lâminas são muito afiadas!**

Conselho útil: Para libertar com mais facilidade a peça de conexão, colocar o recipiente na base, carregar e soltar a peça de conexão movendo a sua mão para a esquerda (15).

Limpeza

O recipiente de vidro, a tampa e o fecho com escala podem ir à máquina de lavar louça. As lâminas de corte e a peça de ligação devem ser lavadas com água corrente e secas de seguida, não devem ir à máquina de lavar louça. Se necessário, limpar a base do liquidificador com um pano seco. Não lavar com água ou na máquina de lavar louça.

Aviso

O Liquidificador PRESIDENT 1,8l tem lâminas especialmente afiadas de aço inoxidável de primeira qualidade. O uso intenso ou inadequado (ingredientes muito duros ou muito grandes) faz com que as lâminas se possam tornar menos eficientes, o que não pode ser reclamado. Para obter lâminas de substituição, entre em contacto com o seu revendedor ou com o serviço de atendimento TESCOMA. Para detalhes de contato, vá a www.tescoma.pt.

Um período de garantia de 2 anos se aplica a este produto.

Receitas

Batidos de frutas e legumes (programa “smoothie”)

Para batidos de frutas legumes, descascar e cortar a fruta e legumes (em pedaços de 2 x 2 cm como máximo), adicionando a quantidade necessária de líquidos, ou seja, aproximadamente 600 ml de água, sumo de fruta, leite, etc. para um conteúdo de 1800 ml.

Tipos adequados de frutas: Bananas, maçãs, peras, damascos, pêssegos, mangas, limões, toranjas, kiwis, laranjas, tangerinas, melões, frutos silvestres e todos os tipos de frutas sazonais, etc.

Tipos adequados de legumes: Cenoura, aipo, salsa, beterraba, rabanetes, vários tipos de alface e ervas aromáticas, espinafre, couve, agrião, alface, endívias, hortelã, alho, etc.

Para realçar o sabor e valor nutricional, pode adicionar nozes, sementes de sésamo, linhaça, chia, girassol, abóbora, cânhamo, frutos secos ou especiarias aromáticas, tais como canela, bagas de goji, etc.

Todas as receitas abaixo são para 1800 ml de bebida ou comida – reduzir a quantidade de ingredientes proporcionalmente para preparar uma quantidade menor de bebida ou comida.

Batido de frutos silvestres

150 g de mistura de framboesas, cerejas e amoras, 150 g de mirtilos, 1 kiwi descascado e cortado, 600 ml de água

Batido de banana com mirtilos

5 bananas, 200 g de mirtilos, 500 ml de leite, 2 colheres de chá de mel

Batido de manga

700 g de mangas descascadas e cortadas, 300 g de iogurte natural, 450 ml leite frio, uma gota de extrato de baunilha, uma pitada de sal

Batido de maçã com pepino

450 g de maçãs, 250 g de pepino fresco, 600 ml de sumo de maçã, noz-moscada e canela a gosto

Batido de banana com beterraba

3 bananas, 300 g de beterraba, 150 g de iogurte, 500 ml de sumo de maçã, um pedaço de gengibre fresco ralado, sementes de chia encharcadas

Batido de tomate com cenoura

500 g de tomate, 150 g de cenoura, 150 g de talos de aipo, 400 ml de sumo de maçã, molho picante a gosto

Cocktails de leite (programa “smoothie”)

Batido de morango

250 g de morangos, 600 ml de leite de soja, 3 bananas, 60 g de aveia, 5 colheres de chá de mel

Batido de banana

250 g de gelado de baunilha, 5 bananas, 750 ml de leite

Batido de chocolate

500 g de gelado de chocolate, 500 g de leite, 21 g de cevada ou mistura sem cafeína solúvel, 2 colher de chá de mel

Batido de pêssego

700 g de pêssegos descascados e cortados, 250 g de gelado de baunilha e 350 ml de leite

Purés de fruta e alimentos de fruta infantil (programa “puree”)

Puré de maçã

5 maçãs grandes descascadas e cortadas, 400 ml de água, mel a gosto

Puré de damasco para bebê

500 g de damascos cortados, 400 g de maçãs descascadas e cortadas, 450 ml de sumo de maçã, 5 colheres de chá de mel

Purés de legumes (programa “puree”)

Puré de couve-flor

600 g de couve-flor, 125 ml de natas (33 % de gordura), 30 g de manteiga

Receita: Ferver a couve-flor por cerca de 15 minutos em água e sal, refogar em 15 g de manteiga e deixar arrefecer parcialmente. Colocar a couve-flor refogada, o creme e as 15 g de manteiga restante no recipiente do liquidificador, adicionar sal e pimenta e fechar, pressionar o botão “**puree**” e processar num cremoso puré de couve-flor.

Puré de ervilha

500 g de ervilhas congeladas, 2 cebolas, 125 g de natas (33 % de gordura), 100 ml caldo de legumes, 2 colheres de sopa de manteiga, folha de hortelã-pimenta

Receita: Ferver as ervilhas num caldo de legumes até ficar macio, adicionar as natas e ferver novamente. Introduzir moderadamente as ervilhas arrefecidas com as natas no recipiente do liquidificador, adicionar a manteiga e metade das cebolas previamente fritas, adicionar sal e pimenta à mistura e fechar o recipiente. Pressionar o botão “**puree**” e processar o puré de ervilha. Servir decorado com a metade restante da cebola frita e a folha e hortelã-pimenta.

Puré de batata-abóbora

400 g de batatas cozidas com pele, 250 g de abóbora, 1 cebola média, 100 a 200 ml de leite (dependendo da abóbora), 10 g de manteiga, 2 colheres de chá de molho de soja, 1 pitada de noz-moscada, um pouco de óleo

Receita: Fritar no óleo a cebola cortada finamente, adicionar os cubos de abóbora (com pele), manteiga, o leite e o molho de soja. Adicionar sal e pimenta à mistura, temperar com noz-moscada e deixar a cozinhar por cerca de 10 minutos. Colocar a mistura e as batatas descascadas e cortadas em pequenos pedaços, ambas arrefecidas, dentro do recipiente do liquidificador, fechar, pressionar o botão de “**puree**” e processar em puré de batata-abóbora.

Gelo picado (programa “ice”)

Gelo picado

600 ml de cubos de gelo

Receita: Colocar os cubos de gelo (não superior a 2 x 2 cm) no liquidificador, fechar o recipiente, pressionar o botão “**ice**” e preparar o gelo picado.

Gelo picado com sabor de fruta

600 ml de cubos de gelo, 50 ml xarope de fruta doce

Receita: Colocar os cubos de gelo (não superior a 2 x 2 cm) no liquidificador, verter calda de frutas, fechar o recipiente. Pressionar o botão “**ice**” e preparar gelo picado aromatizado.

Gebrauchsanleitung

Sicherheitshinweise

Für den Gebrauch im Haushalt bestimmt, das Gerät nicht für den gewerblichen Gebrauch vorgesehen, nicht im Freien, nicht bestimmungswidrig verwenden.

Dieses Gerät kann von den Kindern ab 8 Jahre und von Personen mit reduzierten physischen, sensorischen oder mentalen Fähigkeiten oder Mangel an Erfahrung und/oder Wissen benutzt werden, wenn sie beaufsichtigt oder bezüglich des sicheren Gebrauchs des Gerätes unterwiesen wurden und die daraus resultierenden Gefahren verstanden haben. Kinder dürfen mit dem Gerät nicht spielen, dürfen das Gerät nicht reinigen und keine Wartungsarbeiten unbeaufsichtigt durchführen.

Vor dem Stecken des Steckers in die Steckdose immer überprüfen, ob der Drehknopf auf die Position „**O – AUS**“ gebracht ist; erst den Drehknopf auf die Position „**O – AUS**“ bringen, dann den Stecker aus der Steckdose ziehen.

Das Gerät ausschalten und von der Stromversorgung trennen, wenn es unbeaufsichtigt bleibt, bzw. vor der Montage, Demontage, Reinigung, bzw. vor der Berührung der beim Gebrauch sich bewegenden Teile.

Das Gerät, das Netzkabel, bzw. der Stecker dürfen nicht in Wasser eingetaucht werden. Das Netzkabel nicht über Ecken eines Tisches, bzw. einer Arbeitsplatte herunterhängen lassen sowie vor der Berührung mit heißen Oberflächen schützen, niemals das Netzkabel neben einer heißen Gas- oder Elektrokochstelle, bzw. eines eingeschalteten Backofens verwenden oder auf sie stellen.

Vor jedem Gebrauch überprüfen, ob das Verbindungsstück mit den Mix-Messern und der Glasbehälter mit dem Deckel ordentlich aufgesetzt sind. Die Verwendung nicht autorisierter Teile kann zu Feuer, Stromschlag oder Verletzungen führen.

Das Gerät nicht einschalten, wenn im Behälter keine Flüssigkeit ist oder wenn der Behälter leer ist. Den Behälter nicht überfüllen. Den Standmixer immer mit dem aufgesetzten Deckel verwenden.

Die rostfreien Messer sind sehr scharf, bei der Handhabung mit den Messern auf erhöhte Aufmerksamkeit achten, das Gerät nicht mit beschädigten Messern verwenden.

Keine beweglichen Teile des Gerätes berühren. Während des Mixvorgangs nicht mit den Händen oder Küchengeräten in den Behälter greifen. Man kann einen Teigschaber verwenden, jedoch nur, wenn der Standmixer nicht läuft.

Die Basisstation mit Motor nicht mit Wasser reinigen, es besteht Verletzungsgefahr.

ACHTUNG: Damit keine durch das unbeabsichtigte Zurückstellen der Temperatursicherung verursachte Gefahr entsteht, darf dieses Gerät nicht über einen externen Schalter wie Zeitschaltuhr versorgt werden, bzw. an keinen Stromkreis angeschlossen werden, der regelmäßig ein- und ausgeschaltet wird. Ist während des Mixvorgangs die Temperatursicherung aktiviert, ist das Gerät auszuschaalten, vom Netz zu trennen, vor Wiedereinschaltung abkühlen zu lassen.

WARNUNG: Den Glasbehälter von der Basisstation nicht abheben, wenn der Standmixer läuft, bzw. wenn sich die Messer bewegen. Immer den Stillstand der Messer abwarten, erst dann den Behälter von der Basisstation abheben.

Das Gerät erfüllt die geltenden Sicherheitsnormen. Das Netzkabel dieses Gerätes muss ausschließlich von einer qualifizierten Servicestelle repariert, bzw. ersetzt werden, die Kontaktdaten finden Sie auf www.tescoma.de. Die fehlerhaft, bzw. unsachgemäß ausgeführten Reparaturen können nicht beanstandet werden.

Technische Daten

Füllmenge MIN/MAX: 200/1800 ml

Stromversorgung: 220–240 V

Leistungsaufnahme: 1800 W

Frequenz: 50/60 Hz

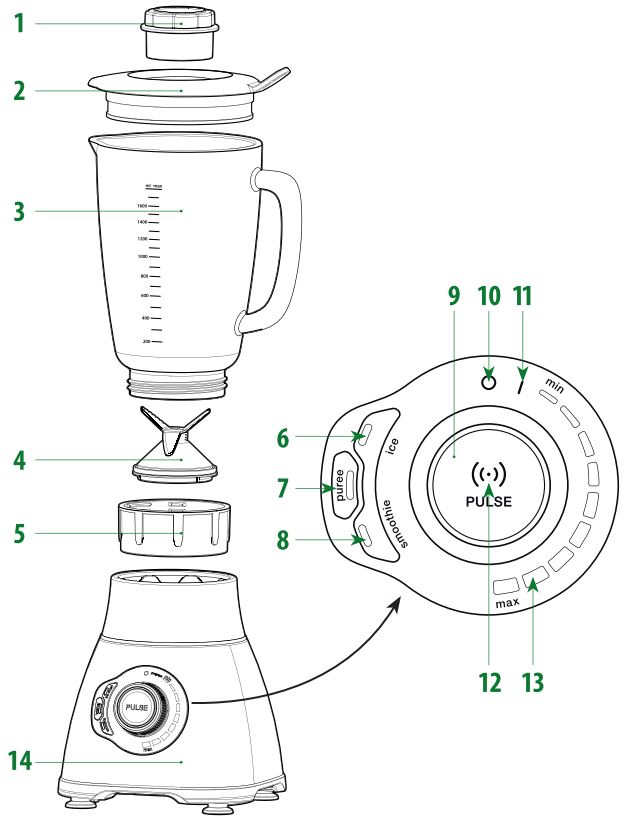
Drehzahl: max. 22000/min

Lautstärke: unter 85 dB

Kabellänge: 110 cm

Beschreibung

1. Verschluss des Deckels
2. Deckel mit Öffnung
3. Glasbehälter mit Messskala
4. Mix-Messer
5. Verbindungsstück
6. Programm Zerstoßenes Eis (ice)
7. Programm Püree (puree)
8. Programm Smoothie (smoothie)
9. Drehknopf
10. Aus (O)
11. Ein (I)
12. Taste für Pulsfunktion (PULSE)
13. Kontrollleuchte Drehzahl (min/max)
14. Basisstation mit Netzkabel
Netzstecker und Saugnäpfen



Vor dem ersten Gebrauch

Den Standmixer auspacken, zerlegen, spülen und abtrocknen (siehe Zerlegen und Reinigung).

Hinweis

Den Standmixer nicht zum Zerkleinern von Fleisch verwenden. In den Glasbehälter keine Zutaten und Flüssigkeiten mit einer Temperatur über 50 °C einlegen. Der Glasbehälter ist nicht mikrowellengeeignet.

Netzanschluss

Die Basisstation des Standmixers auf eine saubere Fläche mit glatter Oberfläche andrücken. Überprüfen Sie, dass die Basisstation fest steht, den Drehknopf in die Position „O – AUS“ drehen. Das Netzkabel mit dem Netzstecker in eine 220–240-V Steckdose stecken.

Einschalten

Den Glasbehälter mit dem festgezogenen Verbindungsstück und darauf aufgesetzten Mix-Messern auf die Basisstation stellen (1). Den Drehknopf in die Position „I – EIN“ drehen (2). Die Kontrollleuchten für Programme und für die Pulsfunktion blinken, der Standmixer ist betriebsbereit.

Hinweis: Wenn nach dem Einschalten die Kontrollleuchten nicht aufleuchten, ist der Drehknopf zurück in die Position „O – AUS“ zu drehen, den Glasbehälter von der Basisstation abzunehmen, das Verbindungsstück mit den Mix-Messern fest zu ziehen. Den Glasbehälter wieder auf die Basisstation stellen, das Gerät noch einmal einschalten.

Smoothies und Milchshakes

Um die Obst- und Gemüsecocktails und Milchshakes zuzubereiten, ist das Programm „**smoothie**“ zu verwenden (3).

Mindestens 200 ml Flüssigkeit in den Behälter geben, andere Zutaten in max. 2 x 2 cm große Stücke (siehe Rezepte) schneiden, den Glasbehälter max. bis zur Markierung **max** (1800 ml) füllen (3).

Den Glasbehälter mit dem Deckel (4) mit dem Verschluss schließen, die Taste „**smoothie**“ drücken (5), (7). Im Mixer werden die Zutaten püriert, das Smoothie/Cocktail wird zubereitet, nach der Beendigung des Programmes stillsteht der Mixer automatisch.

Den Drehknopf in die Position „**O – AUS**“ (6) drehen. Den Glasbehälter von der Basisstation abheben, den Deckel mit dem Verschluss abnehmen, das Getränk in einen Becher füllen.

Hinweis

Um sofort den Standmixer jederzeit zu stoppen, ist die leuchtende Kontrollleuchte des laufenden Programmes zu betätigen und der Mixer stillsteht.

Püree und Fruchtspeise für Kinder

Um die Gemüse-/Fruchtpüree, bzw. Fruchtspeise für Kinder zuzubereiten, ist das Programm „**puree**“ zu verwenden (8).

Mindestens 200 ml Flüssigkeit in den Behälter geben, andere geschnittene Zutaten max. bis zur Markierung **max** (1800 ml) füllen (siehe Rezepte).

Den Glasbehälter mit dem Deckel mit dem Verschluss schließen, die Taste „**puree**“ betätigen. Im Mixer werden die Zutaten zerkleinert und püriert, nach der Beendigung des Programmes stillsteht der Mixer automatisch.

Den Drehknopf in die Position „**O – AUS**“ drehen. Den Glasbehälter von der Basisstation abheben, den Deckel abnehmen, das Püree mit einem geeigneten Gegenstand wie z.B. mit einem Teigschaber aus dem Glasbehälter holen.

Zerstoßenes Eis/Slush-Eis

Um zerstoßenes Eis/Slush-Eis zuzubereiten, ist das Programm „**ice**“ zu verwenden (9).

Um zerstoßenes Wassereis zuzubereiten, ist der Glasbehälter bis zur Markierung 600 ml ohne Zugabe von Flüssigkeit mit Eiswürfeln zu füllen.

Um Slush-Eis zuzubereiten, ist cca 0,5 dl süßer Fruchtsirup in den Glasbehälter zu geben und bis zur Markierung 600 ml Eiswürfel zuzugeben (siehe Rezepte).

Den Glasbehälter mit dem Deckel mit dem Verschluss schließen, die Taste „**ice**“ betätigen. Im Mixer werden die Zutaten püriert, zerstoßenes Eis/Slush-Eis wird zubereitet, nach der Beendigung des Programmes stillsteht der Mixer.

Den Drehknopf in die Position „**O – AUS**“ drehen. Den Glasbehälter von der Basisstation abheben, den Deckel abnehmen, zerstoßenes Eis, bzw. Slush-Eis mit einem geeigneten Gegenstand wie z.B. mit einem Teigschaber aus dem Glasbehälter holen.

Hinweis: Für die Zubereitung von Wasser-/Slush-Eis sind übliche max. 2 x 2 cm große Eiswürfel zu nehmen und die angegebene Menge 600 ml zu beachten.

Guter Tipp

Der Verschluss mit Messkala dient zum schnellen Abmessen von kleineren Mengen Zutaten, z.B. Fruchtsirup für die Zubereitung von Slush-Eis und zum Hinzufügen von Zutaten während der Pulsfunktion (siehe Kapitel Zutaten bei der Pulsfunktion nacheinander hinzufügen).

Pulsfunktion

Um die Getränke, bzw. die Babynahrung mit höherem Anteil an festen oder dicken Zutaten (wie z. B. Wurzelgemüse, Kürbis, Nüsse, Joghurt, Eiscreme usw.) zuzubereiten, ist die Pulsfunktion zu benutzen, wobei die Zutaten nacheinander zugegeben werden sollen (10).

Mindestens 200 ml Flüssigkeit in den Glasbehälter geben, andere geschnittene Zutaten ca. bis zur Markierung 1000 ml zugeben.

Die Pulstaste wiederholt kurz drücken und loslassen, bis die Mischung vermischt ist.

Zutaten nacheinander bei der Pulsfunktion hinzufügen

Die Taste für Pulsfunktion loslassen, den Stillstand der Messer abwarten. Den Verschluss gegen den Uhrzeigersinn umdrehen, aus dem Deckel herausnehmen, durch die Öffnung andere geschnittene Zutaten in den Behälter geben.

Den Verschluss wieder aufsetzen, die Pulsfunktion fortsetzen, wobei die Zutaten nacheinander hinzugefügt werden.

Mixvorgang mit stufenloser Drehzahleinstellung

Für die Zubereitung von anderen Getränken und Speisen ist die Funktion Mixvorgang mit stufenloser Drehzahleinstellung bestimmt. Mindestens 200 ml Flüssigkeit in den Glasbehälter geben, andere geschnittene Zutaten max. bis zur Markierung **max** (1800 ml) füllen. Den Drehknopf in die Position „**min**“ drehen, das Gerät beginnt die Zutaten bei der niedrigen Drehzahl zu pürieren. Die Erhöhung, bzw. Reduzierung der Drehzahl erfolgt mit dem Drehen des Drehknopfes zwischen den Grenzwerten „**min**“ und „**max**“ (11), bis die Zutaten gewünschte Konsistenz haben.

Wichtiger Hinweis

Betreiben Sie das Gerät nicht länger als 120 Sekunden ununterbrochen!

Wenn das Gerät länger als 120 Sekunden wiederholt betrieben wird, schaltet es sich aus Sicherheitsgründen bei Überhitzung aus. In diesem Fall das Gerät vom Netz trennen, 30 Minuten nicht betreiben, dann wieder in die Steckdose stecken, den Mixvorgang fortsetzen. Wenn 30 Minuten nach dem Einschalten die blauen Kontrollleuchten blinken, das Gerät jedoch nicht püriert, bitte noch 10 bis 20 Minuten abwarten, den Mixvorgang fortsetzen.

Ist das zu pürierende Obst/Gemüse zu fest, bzw. die Menge zu groß, stillsteht der Mixer. Den Drehknopf in die Position „**○ – AUS**“ drehen, zu feste oder zu große Teile aus dem Behälter herausnehmen, entfernen, bzw. in kleinere Stücke schneiden, zurück in den Behälter geben, den Mixvorgang fortsetzen.

Leichte Reinigung

Um den Glasbehälter und die Mix-Messer schnell von den Nahrungsmittelresten usw. zu reinigen, ist der Glasbehälter max. bis zur Markierung **max** (1800 ml) mit sauberem Wasser zu füllen, den Deckel mit dem Verschluss aufzusetzen und wiederholt die Pulstaste zu betätigen und zu lösen.

Zerlegen

Den Drehknopf in die Position „**○ – AUS**“ (12) drehen, das Netzkabel aus der Steckdose ziehen, das Gerät zerlegen. Den Verschluss vom Deckel herausnehmen, den Deckel vom Glasbehälter abnehmen. Vom Glasbehälter das Verbindungsstück mit Mix-Messern abschrauben, auf die Mix-Messer von unten andrücken (13), aus dem Verbindungsstück herausnehmen (14).

Bei der Handhabung mit den Mix-Messern auf erhöhte Aufmerksamkeit achten, die Messer sind sehr scharf!

***Guter Tipp:** Um das Verbindungsstück leichter zu lösen, ist der Glasbehälter in die Basisstation einzulegen, nach unten zu drücken, mit der Hand gegen den Uhrzeigersinn zu drehen und das Verbindungsstück zu lösen (15).*

Reinigung

Der Glasbehälter, der Deckel sowie der Verschluss sind spülmaschineneeignet, die Mix-Messer und das Verbindungsstück unter fließendem Wasser spülen und dann abtrocknen, nicht im Geschirrspüler spülen.

Im Bedarfsfall die Basisstation des Mixers mit einem trockenen Geschirrtuch abwischen, weder unter fließendem Wasser, noch im Geschirrspüler spülen.

Hinweis

Der Standmixer PRESIDENT 1,8l ist mit speziell geschliffenen Mix-Messern aus erstklassigem rostfreiem Stahl versehen. Die durch intensiven oder unsachgemäßen Gebrauch stumpfen Messer (zu harte, bzw. große Zutaten) sind eine natürliche Erscheinung und können nicht beanstandet werden. Die Ersatzteile Mix-Messer sind bei Ihrem Händler, bzw. in einer Servicestelle TESCOMA zu erhalten, die Kontaktdaten finden Sie auf www.tescoma.de.

Für dieses Produkt wird eine Garantiefrist von 2 Jahren ab Verkaufsdatum gewährt.

Rezepte

Frucht- und Gemüsesmoothies (Programm „smoothie“)

Die Frucht- und Gemüsecocktails (Smoothies) sind aus geschälten und gewürfelten Frucht- und Gemüsestücken (max. 2 x 2 cm) mit der Zugabe von erforderlicher Menge Flüssigkeiten, d.h. üblich cca 600 ml Wasser, Fruchtsaft, Milch usw. für 1800 ml Inhalt zuzubereiten.

Geeignete Fruchtsorten: Bananen, Äpfel, Birnen, Aprikosen, Pfirsiche, Mangos, Zitronen, Grapefruits, Kiwis, Orangen, Mandarinen, Melonen, Waldfrüchte, alle Saisonfrüchte usw.

Geeignete Gemüsesorten: Möhre, Staudensellerie, Petersilie, Rote Bete, Rettich, verschiedene Salate und Kräuter wie z.B. Chinakohl, Spinat, Grünkohl, Rucola, Feldsalat, Endivie, Gartenkresse, Brennnessel, Löwenzahn, Wegerich, Bärlauch usw.

Um den Nährwert zu erhöhen und das Geschmack zu verstärken, sind in den Mixer auch ganze Nüsse, eingeweichte Sesamkörner, Lein-, Chiasamen, Sonnenblumen-, bzw. Kürbiskerne oder Hanfsamen, eingeweichte Trockenfrüchte oder aromatische Gewürze wie z.B. Zimt, Goji-Beeren usw. zuzugeben.

Alle nachstehenden Rezepte sind für die Zubereitung von 1800 ml Getränk, bzw. Speise ausgelegt; um kleinere Menge zuzubereiten, sind die Mengen aller Zutaten entsprechend zu reduzieren.

Smoothie mit Waldfrüchten

150 g Mischung aus Himbeeren, Brombeeren, Kirschen, 150 g Heidelbeeren, 1 St. Kiwi, 600 ml Wasser

Bananen-Smoothie mit Heidelbeeren

5 Bananen, 200 g Heidelbeeren, 500 ml Milch, 2 TL Honig

Mango-Smoothie

700 g geschälte und klein geschnittene Mango, 300 g Naturjoghurt, 450 ml kalte Milch, 1 Tropfen Vanillearoma, Prise Salz

Apfel-Smoothie mit Gurke

450 g Äpfel, 250 g Salatgurke, 600 ml Apfelsaft, Muskatnuss und Zimt je nach Geschmack

Bananen-Smoothie mit Roter Bete

3 Bananen, 300 g Rote Bete, 150 g Naturjoghurt, 500 ml Apfelsaft, Stück frischer fein geriebener Ingwer, Chia-Samen, im Voraus eingeweicht

Tomaten-Smoothie mit Möhre

500 g Tomaten, 150 g Möhre, 150 g Staudensellerie, 400 ml Apfelsaft, scharfe Soße je nach Geschmack

Milchshakes (Programm „smoothie“)

Erdbeeren-Shake

250 g Erdbeeren, 600 ml Sojamilch, 3 Bananen, 60 g Haferflocken, 5 EL Honig

Bananen-Shake

250 g Vanilleeis, 5 Bananen, 750 ml Milch

Schokoladen-Milchshake

500 g Schokoladeneis, 500 ml Milch, 21 g lösliches Getränk Caro-Kaffee, 2 TL Honig

Pfirsich-Shake

700 g Pfirsiche, 250 g Vanilleeis, 350 ml Milch

Fruchtpürees und Fruchtspeise für Kinder (Programm „puree“)

Apfelmus

5 große geschälte und geschnittene Äpfel, 400 ml Wasser, Honig je nach Geschmack

Aprikosen-Beikost

500 g Aprikosen, 400 g geschälte und geschnittene Äpfel, 450 ml Apfelsaft, 5 TL Honig

Gemüsepürees (Programm „puree“)

Blumenkohl-Püree

600 g Blumenkohl, 125 ml Sahne zum Schlagen (33 % Fett), 30 g Butter

Vorgehensweise: Blumenkohlröschen cca 15 Minuten in Salzwasser kochen, abgießen, mit 15 g Butter anrösten, abkühlen lassen. In den Glasbehälter geröstete Blumenkohlröschen, Sahne und restliche 15 g Butter geben, mit Salz und Pfeffer würzen, schließen, die Taste „puree“ betätigen, feines Blumenkohlpüree zubereiten.

Erbsenpüree

500 g tiefgefrorene Erbsen, 2 Zwiebeln, 125 ml Sahne zum Schlagen (33 % Fett), 100 ml Gemüsebrühe, 2 EL Butter, Minzblatt

Vorgehensweise: Erbsen im Gemüsebrühe weich kochen, Sahne zugeben, kurz aufkochen. Lauwarme Erbsen mit Sahne in den Behälter geben, gewürfelte Zwiebel anbraten, eine Hälfte davon und Butter zur Mischung hinzufügen, die Mischung salzen, pfeffern, den Behälter schließen. Die Taste „puree“ betätigen, Erbsenpüree zubereiten, mit restlicher angebratener Zwiebel und dem Minzblatt garnieren, servieren.

Kartoffel-Kürbis-Püree

400 g Pellkartoffeln, 250 g Kürbis, 1 mittelgroße Zwiebel, 100 bis 200 ml Milch (vom Wassergehalt des Kürbisses abhängig), 10 g Butter, 2 TL Sojasauce, Prise Muskatnuss, etwas Öl

Vorgehensweise: Zwiebel klein würfeln, im Öl anbraten, den ungeschälten Kürbis auch würfeln, zur Zwiebel zugeben, Butter, Milch und Sojasauce hinzufügen. Die Mischung salzen, pfeffern, mit Muskatnuss würzen, cca 10 Minuten dünsten lassen. Die lauwarme Mischung und lauwarme geschälte gewürfelte Kartoffeln in den Behälter geben, den Behälter schließen, die Taste „puree“ betätigen, das Kartoffel-Kürbis-Püree zubereiten.

Wasser-/Slush-Eis (Programm „ice“)

Wassereis

600 ml Eiswürfel

Vorgehensweise: Die Eiswürfel (max. 2 x 2 cm) in den Behälter geben, schließen, die Taste „ice“ betätigen, Wassereis herstellen.

Slush-Eis

600 ml Eiswürfel, 50 ml süßer Fruchtsirup

Vorgehensweise: Die Eiswürfel (max. 2 x 2 cm) in den Behälter geben, den Fruchtsirup zugeben, den Behälter schließen. Die Taste „ice“ betätigen, Slush-Eis zubereiten.

fr Mode d'emploi

Consignes de sécurité

Destiné à l'utilisation à domicile, ne pas utiliser à des fins commerciales, à l'extérieur ou à des fins non autorisées.

Les enfants de plus de 8 ans peuvent utiliser cet appareil. Les personnes aux capacités physiques, sensorielles ou mentales réduites ou sans expérience ou connaissance nécessaire peuvent utiliser cet appareil uniquement sous surveillance ou après qu'elles aient reçu les instructions relatives à une utilisation sûre et si elles sont conscientes des risques possibles. Les enfants ne doivent pas jouer avec l'appareil, ils ne doivent pas nettoyer et maintenir l'appareil sans surveillance.

Avant de brancher l'appareil, il faut toujours contrôler si la commande rotative est réglée en position « **O – arrêt** », avant de le débrancher, toujours mettre la commande en position « **O – arrêt** », puis débrancher la fiche d'alimentation de la prise électrique.

Toujours éteindre le mixeur et le débrancher de la prise électrique s'il est laissé sans surveillance, avant de l'assembler, démonter, nettoyer ou avant la manipulation avec les parties en mouvement lors de l'utilisation.

Ne pas plonger l'appareil, le cordon et la prise dans l'eau. Ne pas laisser le cordon pendre du bord d'une table ou d'un plan de travail, ou toucher des surfaces chaudes, ne pas le placer sur les plaques de cuisson à gaz ou électriques ou dans leur proximité et à proximité d'un four.

Avant chaque utilisation, s'assurer que le raccord, les lames et le récipient en verre avec couvercle sont bien en place. Ne pas utiliser d'accessoires non autorisés car ils peuvent provoquer un incendie, un choc électrique ou des blessures.

Ne pas mettre l'appareil en marche si le récipient est vide ou ne contient pas de liquide. Ne pas trop remplir le récipient. Utiliser le mixeur avec le couvercle bien en place.

Les lames en inox sont très coupantes, être prudent en les manipulant. Si elles sont endommagées, ne pas utiliser le mixeur.

Éviter tout contact avec les pièces mobiles de l'appareil. En utilisant le mixeur, ne pas mettre les mains ou les ustensiles de cuisine dans le récipient. Une spatule peut être utilisée, mais uniquement si l'appareil est arrêté.

Pour nettoyer la base contenant le moteur, ne pas utiliser d'eau, risque de blessure.

ATTENTION : Afin d'éviter les dangers causés par une réinitialisation accidentelle du relais thermique, cet appareil ne doit pas être alimenté par un dispositif de commutation externe tel qu'une minuterie, ni être branché sur un circuit qui est régulièrement allumé et éteint. Si le relais thermique est activé lors de l'utilisation, éteindre l'appareil, débrancher la prise électrique et laisser l'appareil refroidir avant utilisation.

AVERTISSEMENT : Ne pas sortir le récipient en verre de la base si le mixeur est en marche ou les lames tournent. Toujours attendre que les lames s'arrêtent, puis sortir le récipient de la base.

L'appareil est conforme aux normes de sécurité. La réparation ou le remplacement du cordon d'alimentation doit être effectué uniquement par les experts d'un centre de service autorisé, dont la liste est fournie sur www.tescoma.fr. Réparations non conformes ou non professionnelles ne peuvent pas être réclamées.

Paramètres techniques

Capacité MIN/MAX : 200/1800 ml

Tension d'alimentation : 220–240 V

Puissance : 1800 W

Fréquence : 50/60 Hz

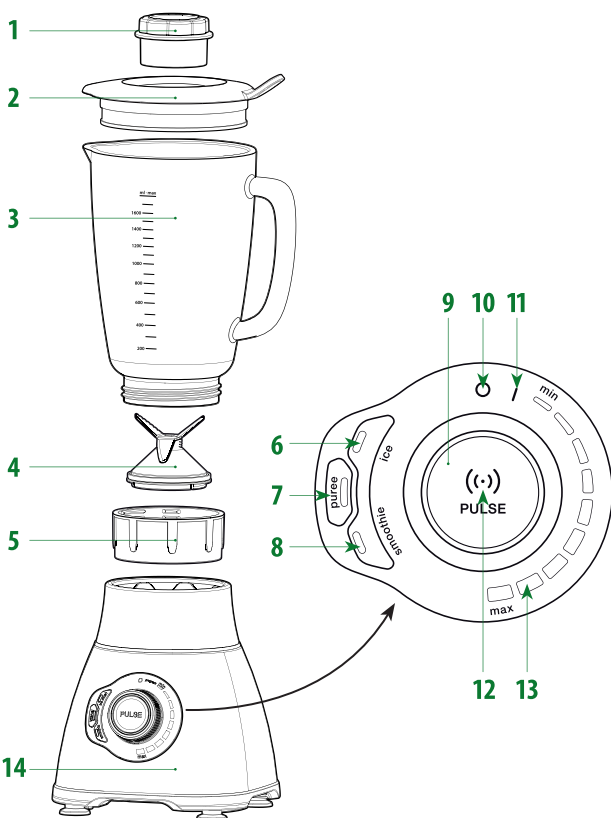
Vitesse de rotation : max. 22000/min

Niveau de bruit : Moins de 85 dB

Longueur du cordon : 110 cm

Description

1. Fermeture du couvercle
2. Couvercle perforé
3. Récipient en verre avec une échelle graduée
4. Lames
5. Raccord
6. Programme granité (ice)
7. Programme purée (puree)
8. Programme smoothie (smoothie)
9. Commande rotative
10. Arrêt (O)
11. Marche (I)
12. Fonction pulse (PULSE)
13. Indicateur de vitesse de rotation (min/max)
14. Base avec cordon, prise mâle et ventouses



Avant la première utilisation

Déballer, démonter, laver et essuyer le mixeur (voir Démontage et Nettoyage).

Avertissement

Ne pas utiliser le mixeur pour hacher de la viande. Ne pas mettre les ingrédients solides et liquides d'une température supérieure à 50 °C dans le récipient en verre. Ne pas utiliser le récipient en verre dans un four à micro-ondes.

Connexion au réseau électrique

Fixer la base de l'appareil sur un plan de travail propre avec une surface lisse. S'assurer que la base est bien fixée et régler la commande rotative en position « O – arrêt ». Brancher le cordon avec la prise mâle sur un réseau de 220–240 V.

Mise en marche

Poser le récipient en verre avec le raccord bien fixé et les lames mises en place sur la base du mixeur (1).

Régler la commande rotative en position « I – marche » (2). Les voyants lumineux des programmes et du bouton de la fonction pulse commencent à clignoter, le mixeur est prêt à l'emploi.

Avertissement : Si les voyants lumineux ne s'allument pas après la mise en marche, remettre la commande en position « O – arrêt », retirer le récipient de la base et fixer plus solidement le raccord avec les lames. Remettre le récipient en verre et rallumer l'appareil.

Smoothie et cocktails au lait

Pour la préparation des smoothies de fruits et de légumes et des milk-shakes, utiliser le programme « **smoothie** ».

Verser au minimum 200 ml de liquides et ajouter d'autres ingrédients coupés en morceaux max. 2 x 2 cm (voir Recettes) jusqu'au trait de **max** (1800 ml) (3).

Fermer le récipient avec le couvercle pourvu de la fermeture (4) et appuyer sur le bouton « **smoothie** » (5), (7). Le mixeur mixera le contenu du récipient, préparera le smoothie/milk-shake et s'arrêtera automatiquement après la fin du programme.

Régler la commande rotative en position « **O – arrêt** » (6). Retirer le récipient en verre de la base, retirer le couvercle et verser la boisson.

Avertissement

Pour arrêter immédiatement le mixeur pendant tout programme, presser le bouton allumé du programme actif et le mixeur s'arrêtera.

Purées et nourriture de fruits pour bébés

Pour la préparation des purées de légumes ou de fruits, nourriture de fruits pour bébés, etc., utiliser le programme « **puree** » (8).

Verser au minimum 200 ml de liquides et ajouter d'autres ingrédients coupés en morceaux (voir Recettes) jusqu'au trait de **max** (1800 ml).

Fermer le récipient avec le couvercle pourvu de la fermeture et appuyer sur le bouton « **puree** ». Le mixeur mixera le contenu du récipient, préparera la purée et s'arrêtera automatiquement après la fin du programme.

Régler la commande rotative en position « **O – arrêt** ». Retirer le récipient en verre de la base, retirer le couvercle et sortir la purée du récipient avec un outil approprié, par ex. avec une spatule.

Granités

Pour la préparation de la glace pilée pure ou aux fruits, utiliser le programme « **ice** » (9).

Pour la préparation de la glace pilée pure, remplir le récipient en verre avec les cubes de glace jusqu'au trait de 600 ml sans ajout de liquide.

Pour la préparation de la glace pilée aux fruits, verser environ 0,5 dl de sirop de fruit sucré dans le récipient en verre et ajouter les cubes de glace jusqu'au trait de 600 ml (voir Recettes).

Fermer le récipient avec le couvercle pourvu de la fermeture et appuyer sur le bouton « **ice** ». Le mixeur mixera le contenu du récipient, préparera la glace pilée et s'arrêtera automatiquement après la fin du programme.

Régler la commande en position « **O – arrêt** ». Retirer le récipient en verre de la base, retirer le couvercle et sortir la glace pilée du récipient avec un outil approprié, par ex. avec une spatule.

Avertissement : Pour la préparation de la glace pilée, utiliser des glaçons de taille similaire de max. 2 x 2 cm et respecter la quantité de 600 ml.

Bonne astuce

Utiliser le bouchon doseur pour mesurer rapidement les petites quantités d'ingrédients, par ex. du sirop de fruits lors de la préparation de la glace pilée aux fruits et pour ajouter les ingrédients pendant le mixage pulse (voir Addition graduelle des ingrédients en mélangeant et utilisant la fonction pulse).

Fonction pulse

Pour la préparation de boissons ou d'aliments avec une plus grande proportion de parties dures ou d'ingrédients épais (p. ex., légumes-racines, citrouilles, noix, yaourt, glace, etc.), utiliser la fonction pulse en ajoutant graduellement les ingrédients (10).

Verser 200 ml de liquide au min. dans le récipient en verre et ajouter les autres ingrédients coupés en morceaux jusqu'au trait de 1000 ml.

Presser et relâcher brièvement le bouton pulse de manière répétitive jusqu'à ce que le mélange soit mixé en consistance souhaitée.

Addition graduelle des ingrédients en mélangeant et utilisant la fonction pulse

Relâcher le bouton pulse et attendre jusqu'à l'arrêt du mixeur. En tournant légèrement contre le sens des aiguilles d'une montre, retirer la fermeture du couvercle et ajouter d'autres ingrédients coupés en morceaux dans le récipient en verre à travers l'ouverture. Remettre la fermeture et continuer à mixer avec la fonction pulse et ajouter les ingrédients graduellement.

Mixage avec la régulation continue de la vitesse de rotation

Pour la préparation d'autres boissons et aliments, utiliser la fonction mixage avec régulation continue de la vitesse.

Verser 200 ml de liquide au min. dans le récipient en verre et ajouter les autres ingrédients coupés en morceaux jusqu'au trait de **max** (1800 ml).

Mettre la commande rotative en position « **min** » et l'appareil commencera à mixer le contenu à faible vitesse.

Augmenter ou diminuer la vitesse en tournant la commande entre les positions « **min** » et « **max** » (11) jusqu'au moment où le mélange sera mixé en consistance souhaitée.

Avertissement important

Ne pas mixer de manière continue pendant plus de 120 secondes !

Dans le cas de mélanges répétés de plus de 120 secondes, l'appareil surchauffe et s'arrête automatiquement pour des raisons de sécurité. Dans ce cas, débrancher l'appareil, ne pas l'utiliser pendant 30 minutes, puis le rebrancher et continuer à mixer. Si les voyants lumineux bleus clignotent après 30 minutes après avoir allumé le mixeur, mais l'appareil ne mixera pas, attendre encore 10 à 20 minutes de plus et puis continuer à mixer.

Si les morceaux de fruits et de légumes mixés sont trop durs ou trop grands, l'appareil s'arrêtera. Mettre la commande en position « **O – arrêt** » et enlever les morceaux trop durs ou trop grands du récipient, les jeter ou les couper en morceaux plus petits, les réinsérer dans le récipient et continuer à mixer.

Nettoyage rapide

Pour un nettoyage rapide du récipient en verre et des lames, etc., remplir le récipient jusqu'au trait de **max** (1800 ml) d'eau propre, remettre le bouchon avec la fermeture et presser et relâcher plusieurs fois le bouton pulse.

Démontage

Mettre la commande rotative en position « **O – arrêt** » (12), débrancher la prise électrique et démonter le mixeur. Retirer la fermeture du couvercle et enlever le couvercle du récipient en verre. Dévisser le raccord avec les lames du récipient en verre (13), pousser les lames du bas puis les enlever du raccord (14). **Être prudent en manipulant les lames, les lames sont très coupantes !**

Bonne astuce : Afin de desserrer le raccord plus facilement, insérer le récipient dans la base, pousser vers le bas en tournant le récipient dans le sens inverse des aiguilles d'une montre, desserrer le raccord (15).

Nettoyage

Le récipient en verre, la fermeture et le couvercle avec une échelle graduée sont appropriés au lave-vaisselle. Laver les lames et le raccord à l'eau courante et essuyer, ne pas laver au lave-vaisselle. Si nécessaire, essuyer la base du mixeur à l'aide d'un torchon sec. Ne pas laver à l'eau courante ni au lave-vaisselle.

Avertissement

Le Mixeur de table PRESIDENT 1,8 l est équipé de lames spécialement aiguisées en acier inoxydable de qualité supérieure. L'éroussissement des lames par une utilisation intensive ou incorrecte (aliments trop durs ou grands) est un phénomène naturel et ne peut pas faire l'objet d'une réclamation. Pour acheter des lames de rechange, veuillez-vous adresser à votre revendeur ou à l'un des centres de service après-vente TESCOMA dont la liste est fournie sur www.tescoma.fr.

Ce produit est couvert par une garantie de 2 ans.

Recettes

Smoothies de fruits et de légumes (programme « smoothie »)

Préparer des smoothies de fruits et de légumes pelés et coupés (max. 2 x 2 cm) en ajoutant une quantité de liquide nécessaire, normalement 600 ml d'eau, de jus de fruits, de lait, etc. pour 1800 ml de garniture.

Types appropriés de fruits : Bananes, pommes, poires, abricots, pêches, mangues, citrons, pamplemousses, kiwis, oranges, mandarines, melons, baies, tous les fruits de saison, etc.

Types appropriés de légumes : Carottes, céleri, persil, betteraves, radis, différentes sortes de salades et d'herbes, p. ex., chou chinois, épinards, chou frisé, roquette, mâche, chicorée, cresson, ortie, pissenlit, plantain, ail des ours, etc.

Pour améliorer la valeur nutritive et le goût, on peut ajouter des noix entières, des graines de sésame, de lin, de chia, de tournesol, de potiron ou de chanvre trempées, des fruits séchés trempés ou des épices aromatiques, p. ex., la cannelle moulue, les baies de goji, etc.

Toutes les recettes ci-dessous sont compilées pour préparer 1800 ml de boisson ou d'aliment. Pour préparer une quantité plus petite réduire proportionnellement la quantité de tous les aliments.

Smoothie aux baies

150 g de mélange de framboises, de mûres et de cerises, 150 g de myrtilles, 1 kiwi, 600 ml d'eau

Smoothie aux bananes avec des myrtilles

5 bananes, 200 g de myrtilles, 500 ml de lait, 2 petites cuillères de miel

Smoothie à la mangue

700 g de mangue, 300 g de yaourt blanc, 450 ml de lait frais, 1 goutte d'extrait de vanille, 1 pincée de sel

Smoothie aux pommes avec du concombre

450 g de pommes, 250 g de concombres, 600 ml de jus de pommes, noix de muscade, cannelle selon goût

Smoothie aux bananes avec de la betterave

3 bananes, 300 g de betterave, 150 g de yaourt blanc, 500 ml de jus de pommes, 1 morceau de gingembre frais râpé, graines de chia trempées à l'avance

Smoothie aux tomates avec de la carotte

500 g de tomates, 150 g de carottes, 150 g de céleri, 400 ml de jus de pommes, sauce piquante selon goût

Cocktails au lait (programme « smoothie »)

Cocktail aux fraises

250 g de fraises, 600 ml de lait de soja, 3 bananes, 60 g de flocons d'avoine, 5 petites cuillères de miel

Cocktail aux bananes

250 g de glace à la vanille, 5 bananes, 750 ml de lait

Cocktail au chocolat

500 g de glace au chocolat, 500 g de lait, 21 g de chicorée, 2 petites cuillères de miel

Cocktail aux pêches

700 g de pêches, 250 g de glace à la vanille, 350 ml de lait

Purées de fruits et nourriture bébé de fruits (programme « puree »)

Compote de pommes

5 grandes pommes pelées et coupées, 400 ml d'eau, miel selon goût

Compote d'abricots

500 g d'abricots, 400 g de pommes pelées et coupées, 450 ml de jus de pomme, 5 petites cuillères de miel

Purées de légumes (programme « puree »)

Purée de chou-fleur

600 g de chou-fleur, 125 ml de crème à fouetter (33 %), 30 g de beurre

Préparation : Faire bouillir du chou-fleur pendant 15 minutes dans une eau salée, filtrer de l'eau, faire sauter du chou-fleur sur 15 g de beurre et laisser refroidir partiellement. Mettre du chou-fleur sauté, de la crème et 15 g de beurre dans le récipient du mixeur, saler, poivrer, fermer, appuyer sur le bouton « **puree** » et préparer une purée fine.

Purée de petits pois

500 g de petits pois congelés, 2 oignons, 125 ml de crème à fouetter (33 %), 100 ml de bouillon de légumes, 2 cuillères à soupe de beurre, 1 feuille de menthe

Préparation : Faire cuire des petits pois dans du bouillon de légumes, ajouter de la crème et faire cuire brièvement. Mettre des petits pois légèrement refroidis et de la crème dans le récipient du mixeur, ajouter du beurre et une moitié d'oignon finement coupé et bruni, saler, poivrer et fermer. Appuyer sur le bouton « **puree** » et préparer une purée de petits pois, garnir avec la moitié restante d'oignon bruni et une feuille de menthe.

Purée de pommes de terre et potiron

400 g de pommes de terre bouillies à chair ferme, 250 g de potiron, 1 oignon de taille moyenne, entre 100 et 200 ml de lait (selon le contenu de l'eau dans le potiron), 10 g de beurre, 2 petites cuillères de sauce soja, 1 pincée de noix de muscade, un peu d'huile

Préparation : Faire brunir l'oignon finement coupé sur de l'huile, ajouter le potiron non pelé coupé en cubes, du beurre, du lait et de la sauce soja. Saler, poivrer, ajouter de la noix de muscade et laisser étuver pendant 10 minutes. Mettre ce mélange légèrement refroidi et des pommes de terres légèrement refroidies, pelées et coupées en cubes dans le récipient du mixeur, fermer, appuyer sur le bouton « **puree** » et préparer une purée de pommes de terre et potiron.

Granité (programme « ice »)

Granité pure

600 ml de glaçons

Préparation : Mettre les glaçons dans le mixeur (max. 2 x 2 cm), fermer le récipient, appuyer sur le bouton « **ice** » et préparer une granité pure.

Granité aux fruits

600 ml de glaçons, 50 ml de sirop de fruits sucré

Préparation : Mettre les glaçons dans le mixeur (max. 2 x 2 cm), verser le sirop de fruit, fermer le récipient. Appuyer sur le bouton « **ice** » et préparer une granité aromatisée.

pl Instrukcja użytkowania

Środki ostrożności

Urządzenie jest przeznaczone do użytku domowego, miksera nie należy używać w lokalach gastronomicznych, na wolnym powietrzu oraz w celach innych niż dozwolone.

Dzieci w wieku od 8 lat oraz osoby o ograniczonej sprawności fizycznej, sensorycznej lub intelektualnej, nieposiadające doświadczenia lub wiedzy mogą używać urządzenia wyłącznie pod nadzorem lub jeśli zostały pouczone o zasadach bezpiecznego użytkowania urządzenia i są świadome niebezpieczeństwa wynikającego z nieprawidłowego użytkowania. Urządzenie nie jest przeznaczone do zabawy. Dzieci pozostawione bez nadzoru nie mogą przeprowadzać czynności związanych z konserwacją i czyszczeniem urządzenia.

Przed podłączeniem wtyczki do gniazdka, należy zawsze upewnić się czy pokrętko jest w pozycji „**O – wyłączony**”, przed odłączeniem z gniazdka należy zawsze przekręcić pokrętko do pozycji „**O – wyłączony**”, a następnie wyjąć wtyczkę z gniazdka.

Mikser należy odłączyć od zasilania jeśli jest pozostawiony bez nadzoru, przed montażem, demontażem, czyszczeniem lub podczas manipulacji z częściami, które podczas pracy urządzenia są w ruchu.

Urządzenia, kabla oraz wtyczki nie należy zanurzać w wodzie. Kabla zasilającego nie należy przewieszać przez brzeg stołu lub blatu, nie należy dopuszczać do kontaktu z gorącą powierzchnią. Mikser należy trzymać z dala od gorącej kuchenki gazowej oraz elektrycznej, a także rozgrzanego piekarnika.

Przed każdym użyciem należy upewnić się, że pierścień łączący z nożykami oraz naczynie z wieczkiem są prawidłowo osadzone. Stosowanie nieoryginalnych akcesoriów grozi wywołaniem pożaru, porażeniem prądem elektrycznym lub innym zranieniem osób.

Urządzenia nie należy uruchamiać jeśli szklane naczynie jest puste. Nie należy przepełniać naczyń. Miksera należy używać zawsze z nałożonym wieczkiem.

Nożyki miksujące są bardzo ostre, podczas przenoszenia i używania miksera należy zachować szczególną ostrożność. Miksera nie należy używać w przypadku uszkodzenia nożyków.

Należy unikać kontaktu z ruchomymi częściami urządzenia. Podczas miksowania do naczynia nie należy wkładać dłoni oraz akcesoriów kuchennych. Można użyć łopatkę, jednak wyłącznie kiedy urządzenie jest wyłączone.

Do czyszczenia podstawy z silnikiem nie należy używać wody, grozi zranieniem.

UWAGA: Aby uniknąć niebezpieczeństwa spowodowanego przypadkowym restartowaniem bezpiecznika termicznego, urządzenie nie może być zasilane przez zewnętrzny włącznik elektryczny, jak na przykład programator czasowy, lub podłączone do obwodu elektrycznego, który jest regularnie włączany i wyłączany. Jeśli bezpiecznik termiczny aktywuje się podczas użytkowania, urządzenie należy wyłączyć, odłączyć wtyczkę z gniazdka sieci zasilającej i użyć ponownie dopiero po wychłodzeniu.

OSTRZEŻENIE: Nie należy wyjmować szklanego naczynia z podstawy podczas pracy miksera lub kiedy nożyki są w ruchu. Zawsze należy odczekać aż noże zatrzymają się całkowicie, dopiero potem wyjąć naczynie z podstawy.

Urządzenie spełnia wszelkie normy bezpieczeństwa. Naprawę lub wymianę kabla zasilającego mogą przeprowadzić jedynie pracownicy autoryzowanego serwisu, kontakt na www.tescoma.pl. Nieprofesjonalnie i nieprawidłowo przeprowadzone naprawy nie mogą być przedmiotem reklamacji.

Parametry techniczne

Napełnianie MIN/MAX: 200/1800 ml

Zasilanie: 220–240 V

Moc: 1800 W

Częstotliwość: 50/60 Hz

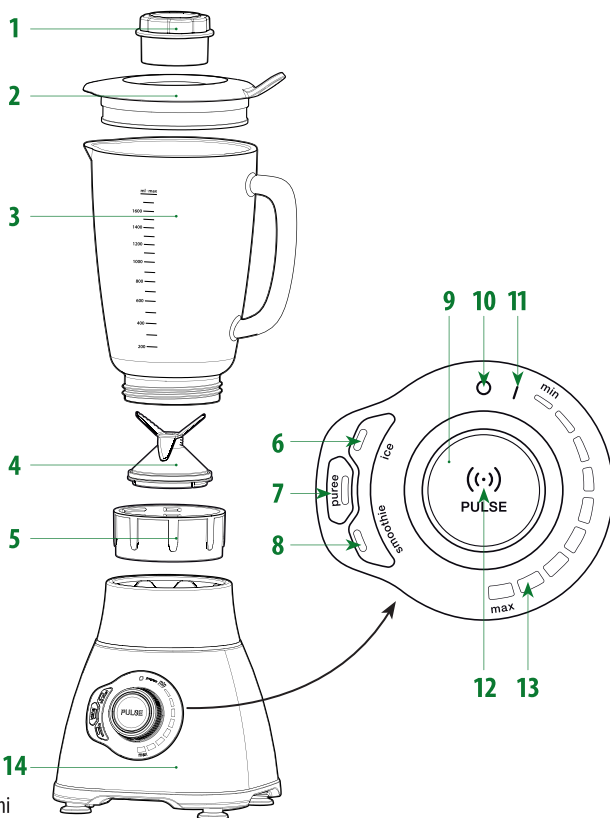
Obroty: maks. 22000/min

Poziom hałasu: Mniej niż 85 dB

Długość kabla zasilającego: 110 cm

Opis

1. Zamknięcie wieczka
2. Wieczko z otworem
3. Szklane naczynie z miarką
4. Nożyki miksujące
5. Pierścień łączący
6. Program do kruszenia lodu (ice)
7. Program do musów (puree)
8. Program do smoothie (smoothie)
9. Włącznik obrotowy
10. Wyłączony (O)
11. Włączony (I)
12. Przycisk miksowania pulsacyjnego (PULSE)
13. Wskaźnik obrotów (min/max)
14. Podstawa z kablem, wtyczką i przysawkami



Przed pierwszym użyciem

Wszystkie elementy miksera należy rozpakować, rozłożyć, umyć i osuszyć (patrz Demontaż i Czyszczenie).

Ostrzeżenie

Mikser nie jest przeznaczony do siekania mięsa. W szklanym naczyniu nie należy umieszczać składników i płynów o temperaturze wyższej niż 50 °C. Szklane naczynie nie jest odpowiednie do kuchenki mikrofalowej.

Podłączanie do sieci

Podstawę miksera należy docisnąć do czystej, gładkiej powierzchni. Upewnić się, że podstawa jest pewnie przymocowana i ustawić włącznik obrotowy w pozycji „O – wyłączony”. Kabel z wtyczką podłączyć do sieci 220–240 V.

Włączanie

Szklane naczynie z mocno dokręconym pierścieniem mocującym i zamontowanymi nożykami miksującymi należy umieścić w podstawie miksera (1).

Włącznik obrotowy ustawić w pozycji „I – włączony” (2). Kontrolki programów i przycisku miksowania pulsacyjnego zaczną migać, mikser jest gotowy do użycia.

Ostrzeżenie: Jeśli po włączeniu kontrolki nie zaczną migać, włącznik obrotowy należy ustawić ponownie w pozycji „O – wyłączony”, naczynie wyjąć z podstawy, a pierścień mocujący z nożykami mocniej dokręcić. Szklane naczynie należy ponownie umieścić w podstawie i włączyć urządzenie.

Smoothie i mleczne koktajle

Aby przygotować owocowe, warzywne i mleczne koktajle należy wybrać program „**smoothie**”.

Do szklanego naczynia należy wlać min. 200 ml płynu, następnie dopełnić maksymalnie do poziomu **max** (1800 ml) pozostałymi składnikami pokrojonymi na kawałki maks. 2 x 2 cm (patrz Przepisy) (3).

Naczynie zamknąć wieczkiem z zamknięciem (4) i wcisnąć guzik „**smoothie**” (5), (7). Mikser rozdrobni zawartość i przygotuje smoothie/koktajl, po zakończeniu programu wyłączy się automatycznie.

Włącznik obrotowy ustawić w pozycji „**O – wyłączony**” (6). Szklane naczynie wyjąć z podstawy, zdjąć wieczko z zamknięciem i przelać napój.

Ostrzeżenie

Aby bezwzględnie wyłączyć mikser i przerwać wybrany program należy nacisnąć świecący guzik aktywnego programu, mikser wyłączy się.

Musy i owocowe przeciera dla dzieci

Aby przygotować warzywne lub owocowe mus, przecier dla dzieci itp. należy wybrać program „**puree**” (8).

Do szklanego naczynia należy wlać min. 200 ml płynu, następnie dopełnić maksymalnie do poziomu **max** (1800 ml) pozostałymi składnikami pokrojonymi na kawałki (patrz Przepisy).

Naczynie zamknąć wieczkiem z zamknięciem i wcisnąć guzik „**puree**”. Mikser rozdrobni zawartość i przygotuje puree, po zakończeniu programu wyłączy się automatycznie.

Włącznik obrotowy ustawić w pozycji „**O – wyłączony**”. Szklane naczynie wyjąć z podstawy, zdjąć wieczko i odpowiednim narzędziem, np. łypatką, wybrać mus z naczynia.

Kruszony lód

Aby przygotować czysty lub owocowy kruszony lód należy wybrać program „**ice**” (9).

Aby przygotować czysty kruszony lód naczynie należy napełnić kostkami lodu do poziomu 600 ml, bez dodatku płynów.

Aby przygotować owocowy kruszony lód do szklanego naczynia należy wlać ok. 0,5 dl słodkiego syropu owocowego następnie dopełnić do poziomu 600 ml kostkami lodu (patrz Przepisy).

Naczynie zamknąć wieczkiem z zamknięciem i wcisnąć guzik „**ice**”. Mikser rozdrobni zawartość i przygotuje kruszony lód, po zakończeniu programu wyłączy się automatycznie.

Włącznik obrotowy ustawić w pozycji „**O – wyłączony**”. Szklane naczynie wyjąć z podstawy, zdjąć wieczko i odpowiednim narzędziem, np. łypatką, wybrać kruszony lód z naczynia.

Ostrzeżenie: Aby przygotować kruszony lód należy użyć kostek lodu w rozmiarze maks. 2 x 2 cm i przestrzegać ilości 600 ml.

Wskazówka

Zamknięcia z miarką należy używać do szybkiego odmierzania mniejszej ilości składników, np. syropu owocowego podczas przygotowania owocowego kruszonego lodu oraz do uzupełniania składników podczas miksowania pulsacyjnego (patrz Stopniowe uzupełnianie składników podczas miksowania pulsacyjnego).

Miksowanie pulsacyjne

Podczas przygotowywania napojów lub posiłków z większą zawartością twardych lub gęstych składników, np. warzywa korzeniowe, dynia, orzechy, jogurt, lody itp. należy skorzystać z funkcji miksowanie pulsacyjne, dodając składniki stopniowo (10).

Do szklanego naczynia należy wlać min. 200 ml płynu, następnie dopełnić pozostałymi składnikami pokrojonymi na kawałki do poziomu ok. 1000 ml.

Przycisk miksowania pulsacyjnego należy przytrzymywać i zwalniać, do czasu aż zawartość osiągnie odpowiednią konsystencję.

Stopniowe uzupełnianie składników podczas miksowania pulsacyjnego

Zwolnic przycisk miksowania pulsacyjnego i zaczekać, aż mikser wyłączy się. Obrotem w kierunku przeciwnym do ruchu wskazówek zegara należy wyjąć zamknięcie z wieczka i przez otwór dodać do naczynia kolejne kawałki składników.

Zamknąć wieczko i kontynuować miksowanie pulsacyjne ze stopniowym dodawaniem składników.

Miksowanie z płynną regulacją obrotów

Aby przygotować inne napoje i potrawy należy skorzystać z funkcji miksowania z płynną regulacją obrotów.

Do szklanego naczynia należy wlać min. 200 ml płynu, następnie dopełnić maksymalnie do poziomu **max** (1800 ml) pozostałymi składnikami pokrojonymi na kawałki.

Włącznik obrotowy ustawić w pozycji „**min**”, urządzenie rozpocznie miksowanie zawartości na niskich obrotach.

Obroty należy zwiększać lub zmniejszać obracając włącznik między pozycjami „**min**” i „**max**” (11) do czasu aż zawartość miksera osiągnie odpowiednią konsystencję.

Ważne ostrzeżenie

Miksera nie należy pozostawiać włączonego dłużej niż 120 sekund!

Powtarzające się miksowanie trwające dłużej niż 120 sekund spowoduje przegrzanie i automatyczne wyłączenie urządzenia ze względów bezpieczeństwa. W takim przypadku mikser należy odłączyć od zasilania, nie używać przez 30 minut, następnie podłączyć do sieci i kontynuować miksowanie. Jeśli niebieskie kontrolki po włączeniu urządzenia po 30 minutach będą nadal migać, ale urządzenie nie będzie miksować, należy poczekać jeszcze 10 do 20 minut, następnie kontynuować pracę.

Jeśli rozdrabniane owoce lub warzywa będą zbyt twarde lub za duże, urządzenie zatrzyma się. Włącznik obrotowy należy ustawić w pozycji „**O – wyłączony**” i wyjąć z naczynia zbyt twarde lub duże kawałki, wyrzucić je lub pokroić na mniejsze kawałki, umieścić w naczyniu i kontynuować rozdrabnianie.

Szybkie czyszczenie

Aby szybko wyczyścić szklane naczynie i nożyki miksujące z resztek mięszu itp. należy napełnić je maksymalnie do poziomu **max** (1800 ml) czystą wodą, nałożyć wieczko z zamknięciem i kilkakrotnie wcisnąć i zwolnić guzik miksowania pulsacyjnego.

Demontaż

Włącznik obrotowy ustawić w pozycji „**O – wyłączony**” (12), kabel odłączyć z gniazdka i rozłożyć mikser. Zamknięcie wyjąć z wieczka i zdjąć wieczko ze szklanego naczynia. Ze szklanego naczynia należy odkręcić pierścień mocujący z nożykami (13), nacisnąć od dołu na korpus nożyków miksujących i wyjąć je z pierścienia łączącego (14). **Podczas pracy z nożykami miksującymi należy zachować szczególną ostrożność, nożyki są bardzo ostre!**

Wskazówka: Aby łatwiej zwolnić pierścień mocujący, należy włożyć naczynie do podstawy, docisnąć do dołu i poruszając dłonią w kierunku przeciwnym do ruchu wskazówek zegara, zwolnić pierścień mocujący (15).

Czyszczenie

Szklane naczynie, wieczko i zamknięcie z miarką można myć w zmywarce, nożyki miksujące i pierścień mocujący należy myć pod bieżącą wodą i wysuszyć, nie należy myć w zmywarce. Podstawę miksera w razie potrzeby należy przetrzeć suchą szmatką, nie należy myć pod bieżącą wodą oraz w zmywarce.

Ostrzeżenie

Mikser stołowy PRESIDENT 1,8l posiada specjalnie naostrzone nożyki miksujące z wysokiej jakości stali nierdzewnej. Stępienie nożyków spowodowane intensywnym lub nieprawidłowym użytkowaniem (zbyt twarde lub duże składniki) jest naturalnym następstwem i nie może być przedmiotem reklamacji. O zamienne nożyki miksujące zapytaj sprzedawcę lub skontaktuj się z centrum serwisowym TESCOMA kontakt na www.tescoma.pl.

Na produkt udzielana jest 2-letnia gwarancja począwszy od dnia sprzedaży.

Przepisy

Owocowe i warzywne smoothie (program „smoothie”)

Owocowe i warzywne koktajle (smoothies) należy przygotowywać z obranych i pokrojonych owoców i warzyw (maks. 2 x 2 cm) z dodatkiem odpowiedniej ilości płynów, tj. zazwyczaj ok. 600 ml wody, soku owocowego, mleka itp. na 1800 ml napoju.

Odpowiednie rodzaje owoców: Banany, jabłka, gruszki, morele, brzoskwinie, mango, cytryny, grejpfruty, kiwi, pomarańcze, mandarynki, melony, owoce leśne, wszystkie owoce sezonowe itp.

Odpowiednie rodzaje warzyw: Marchewka, seler naciowy, pietruszka, buraki, rzodkiewka, różnego rodzaju sałaty i zioła, np. kapusta pekińska, szpinak, jarmuż, rukola, roszonka, cykorja, rzeżucha, pokrzywa, mniszek lekarski, babka lancetowata, czosnek niedźwiedzi itp.

Dla wzbogacenia wartości odżywczej i smaku do koktajlu można dodać orzechy, namoczone ziarna sezamu, lnu, chia, słonecznika, dyni lub konopi, namoczone suszone owoce lub aromatyczne przyprawy, np. mielony cynamon, jagody goji itp.

Wszystkie podane poniżej przepisy są odpowiednie do przygotowania 1800 ml napoju lub potrawy. Aby przygotować mniejszą porcję napoju lub potrawy należy proporcjonalnie zmniejszyć ilość składników.

Smoothie z owocami leśnymi

150 g mieszanki malin, jeżyn i czereśni, 150 g jagód, 1 obrane i pokrojone kiwi, 600 ml wody

Bananowe smoothie z jagodami

5 bananów, 200 g jagód, 500 ml mleka, 2 łyżeczki miodu

Smoothie z mango

700 g mango, 300 g jogurtu naturalnego, 450 ml schłodzonego mleka, kropla ekstraktu waniliowego, szczypta soli

Jabłkowe smoothie z ogórkiem

450 g jabłek, 250 g ogórków szklarniowych, 600 ml soku jabłkowego, gałka muszkatołowa i cynamon do smaku

Bananowe smoothie z burakiem

3 banany, 300 g buraków, 150 g jogurt naturalnego, 500 ml soku jabłkowego, kawałek świeżego startego imbiru, namoczone wcześniej nasiona chia

Pomidorowe smoothie z marchewką

500 g pomidorów, 150 g marchewki, 150 g selera naciowego, 400 ml soku jabłkowego, ostry sos do smaku

Koktajle mleczne (program „smoothie”)

Koktajl truskawkowy

250 g truskawek, 600 ml mleka sojowego, 3 banany, 60 g płatków owsianych, 5 łyżeczek miodu

Koktajl bananowy

250 g lodów waniliowych, 5 bananów, 750 ml mleka

Koktajl czekoladowy

500 g lodów czekoladowych, 500 ml mleka, 21 g napoju rozpuszczalnego Caro, 2 łyżeczki miodu

Koktajl brzoskwiniowy

700 g brzoskwiń, 250 g lodów waniliowych, 350 ml mleka

Owocowe musy i przeciera dla dzieci (program „puree”)

Mus jabłkowy

5 dużych obranych i pokrojonych jabłek, 400 ml wody, miód do smaku

Morelowa przekąska

500 g moreli, 400 g obranych i pokrojonych jabłek, 450 ml soku jabłkowego, 5 łyżeczek miodu

Przeciera warzywne (program „puree”)

Puree z kalafiora

600 g kalafiora, 125 ml śmietany kremówki (30 % tłuszczu), 30 g masła

Przygotowanie: Gotowane ok. 15 minut w osolonej wodzie, odcedzone różyczki kalafiora należy podsmażyć na 15 g masła i pozostawić do lekkiego wystudzenia. W naczyniu miksera umieścić podsmażony kalafior, śmietaną i pozostałe 15 g masła, dodać soli i pieprzu, zamknąć naczynie i wcisnąć przycisk „puree” i przygotować delikatne puree z kalafiora.

Puree z groszku

500 g mrożonego groszku, 2 cebule, 125 ml śmietany kremówki (30 % tłuszczu), 100 ml bulionu warzywnego, 2 łyżki masła, listek mięty

Przygotowanie: Groszek należy ugotować na miękko w bulionie warzywnym, dodać śmietaną i jeszcze krótko pogotować. Wystudzony groszek ze śmietaną należy umieścić w naczyniu miksera, dodać masło i połowę wcześniej podsmażonej drobno pokrojonej cebuli, dodać soli i pieprzu i zamknąć naczynie. Wcisnąć przycisk „puree” i przygotować puree z groszku. Podawać ozdobione pozostałą połową podsmażonej cebuli i listkiem mięty.

Puree ziemniaczano-dyniowe

400 g ziemniaków ugotowanych w mundurkach, 250 g dyni, 1 średniej wielkości cebula, 100 do 200 ml mleka (w zależności od soczystości dyni), 10 g masła, 2 łyżeczki sosu sojowego, szczypta gałki muszkatołowej, odrobina oleju

Przygotowanie: Drobno posiekaną cebulę należy zeszklić na oleju, dodać pokrojoną w kostkę nieobraną dynię, masło, mleko i sos sojowy. Dodać soli i pieprzu, przyprawić gałką muszkatołową i dusić ok. 10 minut. Wystudzoną mieszankę i wystudzone obrane ziemniaki pokrojone w małą kostkę należy umieścić w mikserze, zamknąć, wcisnąć przycisk „puree” i przygotować ziemniaczano-dyniowe puree.

Kruszony lód (program „ice”)

Czysty kruszony lód

600 ml kostek lodu

Przygotowanie: Kostki lodu (maks. 2 x 2 cm) umieścić w mikserze, zamknąć naczynie, wcisnąć przycisk „ice” i przygotować czysty kruszony lód.

Owocowy kruszony lód

600 ml kostek lodu, 50 ml słodzonego syropu owocowego

Przygotowanie: Kostki lodu (maks. 2 x 2 cm) umieścić w mikserze, dodać syrop owocowy, zamknąć naczynie. Wcisnąć przycisk „ice” i przygotować smakowy kruszony lód.

sk Návod na použitie

Bezpečnostné pokyny

Určený na použitie v domácnosti, mixér nepoužívajte na komerčné účely, vo vonkajších priestoroch, ani k iným, ako povoleným účelom.

Prístroj môžu používať deti od 8 rokov a osoby so zníženými telesnými, zmyslovými alebo duševnými schopnosťami alebo s nedostatkom skúseností a znalostí iba v prípade, že je zaistený dohľad alebo poučenie týkajúce sa bezpečného používania a užívateľa sú si vedomí možných rizík. S prístrojom sa nesmú hrať deti, čistenie a užívateľskú údržbu nesmú vykonávať deti bez dozoru.

Pred zapojením zástrčky do elektrickej zásuvky vždy skontrolujte, či je otočný ovládač v polohe „**O – vypnuté**“, pred odpájaním zo zásuvky vždy prepnite ovládač do polohy „**O – vypnuté**“ a potom vyberte zástrčku z elektrickej zásuvky.

Mixér vždy vypnite a odpojte od zdroja napájania, pokiaľ je ponechaný bez dozoru, pred montážou, demontážou, čistením alebo manipuláciou s časťami, ktoré sú pri používaní v pohybe.

Neponárajte prístroj, napájací kábel a zástrčku do vody. Nenechávajte kábel visieť na okraji stola alebo pultu a zabráňte styku s horúcimi povrchmi, neumiestňujte ho na horúci plynový alebo elektrický sporák alebo do jeho blízkosti a do blízkosti vyhriatej rúry.

Pred každým použitím sa presvedčte, že sú spojovacie diely s nožmi a sklenená nádoba s vekom úplne nasadené. Používanie neoprávneného doplnkového príslušenstva môže spôsobiť požiar, úraz elektrickým prúdom alebo zranenie osôb.

Nikdy neuvádzajte prístroj do chodu, pokiaľ v nádobe nie je žiadna tekutina alebo je nádoba prázdna. Nepreplňajte nádobu. Mixér používajte vždy s nasadeným vekom.

Nerezové nože mixéra sú veľmi ostré, manipulácií s nožmi venujte zvýšenú pozornosť, v prípade poškodenia nožov mixér nepoužívajte.

Zabráňte styku s pohyblivými časťami prístroja. Pri mixovaní nedávajte ruky ani kuchynské náradie do nádoby. Možno používať štierku, ale iba v čase, kedy mixér nie je v prevádzke.

Na čistenie základne s motorom nepoužívajte vodu, hrozí nebezpečenstvo úrazu.

POZOR: Aby nevzniklo nebezpečenstvo spôsobené neúmyselným resetovaním tepelnej poistky, nesmie byť tento prístroj napájaný cez externé spínacie zariadenie ako je časovač alebo pripojený do elektrického obvodu, ktorý je pravidelne zapínaný a vypínaný. Pokiaľ je tepelná poistka počas používania prístroja aktivovaná, vypnite prístroj, odpojte zástrčku z elektrickej siete a nechajte výrobok pred použitím vychladnúť.

VÝSTRAHA: Nevyberajte sklenenú nádobu zo základne, pokiaľ je mixér v prevádzke alebo sa otáčajú nože. Vždy počkajte do zastavenia nožov a až potom vyberte nádobu zo základne.

Prístroj spĺňa príslušné bezpečnostné normy. Opravu alebo výmenu elektrického kábla môžu vykonávať len pracovníci autorizovaného servisu, kontakt na www.tescoma.sk. Chybné alebo neodborne vykonané opravy nemôžu byť predmetom reklamácie.

Technické parametre

Plnenie MIN/MAX: 200/1800 ml

Napájanie: 220–240 V

Príkion: 1800 W

Frekvencia: 50/60 Hz

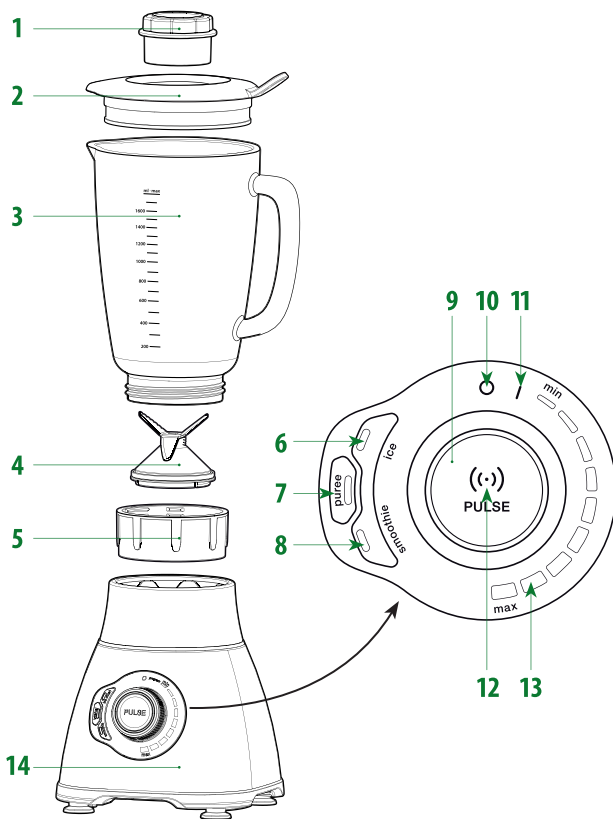
Otáčky: max. 22000/min

Hlučnosť: Menej ako 85 dB

Dĺžka prírodného kábla: 110 cm

Popis

1. Uzáver veka
2. Veko s otvorom
3. Sklenená nádoba s odmerkou
4. Mixovacie nože
5. Spojovací diel
6. Program na ľadovú drť (ice)
7. Program na pyré (puree)
8. Program pre smoothie (smoothie)
9. Otočný ovládač
10. Vypnuté (O)
11. Zapnuté (I)
12. Spínač pulzného mixovania (PULSE)
13. Indikátor otáčok (min/max)
14. Základňa s káblom, zástrčkou a prísavkami



Pred prvým použitím

Mixér vybalte, rozložte, umyte a vysušte (vid'. Rozloženie a Čistenie).

Upozornenie

Mixér nepoužívajte na sekanie mäsa. Do sklenenej nádoby nekladajte suroviny a tekutiny s teplotou vyššou ako 50 °C. Sklenenú nádobu nepoužívajte v mikrovlnnej rúre.

Zapojenie do siete

Základňu mixéra pritlačte na čistú plochu s hladkým povrchom. Uistite sa, že je základňa pevne prichytená a otočný ovládač nastavte do polohy „O – vypnuté“. Kábel so zástrčkou zapojte do siete 220–240 V.

Zapnutie

Sklenenú nádobu s pevne dotiahnutým spojovacím dielom s nasadenými mixovacími nožmi vložte do základne mixéra (1).

Otočný ovládač nastavte do polohy „I – zapnuté“ (2). Kontrolky programov a spínače pulzného mixovania začnú prerušovane svietiť, mixér je pripravený na použitie.

Upozornenie: Pokiaľ sa kontrolky po zapnutí nerozsvietia, otočte späť do polohy „**O – vypnuté**“, nádobu vyberte zo základne a spojovací diel s nožmi pevnejšie dotiahnite. Sklenenú nádobu vložte späť a zapnutie zopakujte.

Smoothie a mliečne koktaily

Na prípravu ovocných, zeleninových a mliečnych koktailov používajte program „**smoothie**“.

Do nádoby nalejte min. 200 ml tekutín a pridajte najviac po rysku **max** (1800 ml) ostatné suroviny naporciované na veľkosť max. 2 x 2 cm (viď. Recepty) (3).

Nádobu uzavrite vekom s uzáverom (4) a stlačte tlačidlo „**smoothie**“ (5), (7). Mixér rozmixuje obsah nádoby a pripraví smoothie/koktail, po ukončení programu sa automaticky zastaví.

Otočný ovládač nastavte do polohy „**O – vypnuté**“ (6). Sklenenú nádobu vyberte zo základne, zložte veko s uzáverom a nápoj nalejte.

Upozornenie

Na okamžité zastavenie mixéra počas akéhokoľvek programu stlačte svietiace tlačidlo spusteného programu a mixér sa zastaví.

Pyré a ovocné detské pokrmy

Na prípravu zeleninových alebo ovocných pyrô, ovocných detských pokrmov a pod. používajte program „**puree**“ (8).

Do nádoby nalejte min. 200 ml tekutín a pridajte najviac po rysku **max** (1800 ml) ostatné naporciované suroviny (viď. Recepty).

Nádobu uzavrite vekom s uzáverom a stlačte tlačidlo „**puree**“. Mixér rozmixuje obsah nádoby a pripraví pyré, po ukončení programu sa automaticky zastaví.

Otočný ovládač nastavte do polohy „**O – vypnuté**“. Sklenenú nádobu vyberte zo základne, zložte veko a pyré premiestnite vhodným nástrojom, napr. stierkou, z nádoby.

Ladová drť

Na prípravu čistej alebo ovocnej ľadovej drte používajte program „**ice**“ (9).

Na prípravu čistej ľadovej drte naplňte sklenenú nádobu ľadovými kockami po rysku 600 ml bez prídania tekutín.

Na prípravu ovocnej ľadovej drte nalejte do sklenenej nádoby cca 0,5 dl sladkého ovocného sirupu a pridajte po rysku 600 ml ľadové kocky (viď. Recepty).

Nádobu uzavrite vekom s uzáverom a stlačte tlačidlo „**ice**“. Mixér rozmixuje obsah nádoby a pripraví ľadovú drť, po ukončení programu sa automaticky zastaví.

Ovládač nastavte do polohy „**O – vypnuté**“. Sklenenú nádobu vyberte zo základne, zložte veko a ľadovú drť premiestnite vhodným nástrojom, napr. stierkou, z nádoby.

Upozornenie: Na prípravu ľadovej drte používajte bežné ľadové kocky s veľkosťou max. 2 x 2 cm a dodržiavajte ich množstvo 600 ml.

Dobrý tip

Uzáver s odmerkou používajte na rýchle meranie menšieho množstva ingrediencií, napr. ovocného sirupu pri príprave ovocnej ľadovej drte a na dopĺňovanie ingrediencií počas pulzného mixovania (viď. Postupné dopĺňovanie surovín pri pulznom mixovaní).

Pulzné mixovanie

Na prípravu nápojov alebo pokrmov s vyšším podielom pevných alebo hustých ingrediencií, napr. koreňovej zeleniny, dyne, orechov, jogurtu, zmrzliny a pod. používajte funkciu pulzného mixovania s postupným dopĺňovaním surovín (10).

Do sklenenej nádoby dajte min. 200 ml tekutín a pridajte ostatné naporciované suroviny cca po rysku 1000 ml.

Spínač pulzného mixovania opakovane pridržiavajte a uvoľňujte, až bude zmes rozmixovaná na potrebnú hustotu.

Postupné dopĺňovanie surovín pri pulznom mixovaní

Uvlnite spínač pulzného mixovania a počkajte, až mixér zastaví. Pootočením proti smeru hodinových ručičiek vyberte z veka uzáver a otvorom doplníte do nádoby ďalšie naporciované suroviny.

Uzáver nasadte späť a pokračujte v pulznom mixovaní s postupným dopĺňovaním surovín.

Mixovanie s plynulým regulovaním otáčok

Na prípravu ostatných nápojov a pokrmov používajte funkciu mixovanie s plynulým regulovaním otáčok.

Do sklenenej nádoby dajte min. 200 ml tekutín a pridajte najviac po rysku **max** (1800 ml) ostatné naporciované suroviny.

Otočný ovládač nastavte do polohy „**min**“ a prístroj začne vložený obsah mixovať pri nízkych otáčkach.

Otáčky zvyšujte alebo znižujte otáčaním ovládača medzi polohami „**min**“ a „**max**“ (11), až bude zmes rozmixovaná na požadovanú hustotu.

Upozornenie

Mixér nenechávajte nikdy nepretržite mixovať dlhšie ako 120 sekúnd!

Pri opakovanom mixovaní dlhšom ako 120 sekúnd sa prístroj vplyvom prehriatia z bezpečnostných dôvodov zastaví. V takomto prípade mixér odpojte zo siete, 30 minút ho nepoužívajte, potom zapojte a pokračujte v mixovaní. Pokiaľ budú modré kontrolky po 30 minútach po zapnutí prístroja prerušovane svietiť, ale prístroj nebude mixovať, počkajte ďalších 10 až 20 minút a potom pokračujte v mixovaní.

Pokiaľ sú mixované ovocie alebo zelenina príliš tvrdé alebo ich porcie príliš veľké, prístroj sa zastaví. Ovládač nastavte do polohy „**O – vypnuté**“ a príliš tvrdé alebo veľké kusy vyberte z nádoby, odstráňte ich alebo naporciuajte na menšie diely, vložte späť do nádoby a pokračujte v mixovaní.

Rýchle čistenie

Na rýchle vyčistenie sklenenej nádoby a mixovacích nožov od zvyškov dužiny a pod. naplňte nádobu najviac po rysku **max** (1800 ml) čistou vodou, nasadte viečko s uzáverom a opakovane stlačte a uvoľnite spínač pulzného mixovania.

Rozloženie

Otočný ovládač nastavte do polohy „**O – vypnuté**“ (12), kábel odpojte zo zásuvky a mixér rozložte. Uzáver vyberte z veka a veko zložte zo sklenenej nádoby. Zo sklenenej nádoby odskrutkujte spojovací diel s nožmi (13), na mixovacie nože zatlačte zospodu a vyberte ich zo spojovacieho dielu (14). **Pri manipulácii s mixovacími nožmi dbajte na zvýšenú pozornosť, nože sú veľmi ostré!**

Dobrý tip: Na jednoduchšie povelenie spojovacieho dielu vsadte nádobu do základne, zatlačte smerom dole a pohybom rúk proti smeru hodinových ručičiek spojovací diel povelte (15).

Čistenie

Sklenená nádoba, veko aj uzáver s odmerkou sú vhodné do umývačky, mixovacie nože a spojovací diel umývajte pod tečúcou vodou a vysušte, neumývajte v umývačke. Základňu mixéra utrite v prípade potreby suchou utierkou, neumývajte pod tečúcou vodou ani v umývačke.

Upozornenie

Stolný mixér PRESIDENT 1,8l je vybavený špeciálne brúsenými mixovacími nožmi z prvotriednej nehrdzavejúcej ocele. Otupe- nie nožov intenzívnym alebo nesprávnym používaním (príliš tvrdé alebo veľké suroviny) je prirodzeným javom a nemôže byť predmetom reklamácie. Náhradné mixovacie nože žiadajte u svojho predajcu alebo v servisnom stredisku TESCOMA, kontakt na www.tescoma.sk.

Na tento výrobok je poskytovaná záruka 2 roky.

Recepty

Ovocné a zeleninové smoothie (program „smoothie“)

Ovocné a zeleninové koktaily (smoothies) pripravujte z olúpaného a naporciovaného ovocia a zeleniny (max. 2 x 2 cm) s pridaním potrebného množstva tekutín, t.j. obvykle cca 600 ml vody, ovocnej šťavy, mlieka a pod. na 1800 ml náplne.

Vhodné druhy ovocia: Banány, jablká, hrušky, marhule, broskyne, mango, citróny, grapefruity, kivi, pomaranče, mandarínky, melóny, lesné plody, všetko sezónne ovocie a pod.

Vhodné druhy zeleniny: Mrkva, stonkový zeler, petržlen, červená repa, reďkovka, rôzne druhy šalátov a bylínok, napr. čínska kapusta, špenát, kel, rukola, polný šalát, čakanka, žerucha, žihľava, púpava, skorocel, medvedí cesnak a pod.

Na zvýšenie nutričnej hodnoty a chuti môžete do mixéra pridať celé orechy, namočené sezamové, ľanové, chia, slnečnicové, tekvicové alebo konopné semenka, namočené sušené ovocie alebo aromatické korenie, napr. škoricu, plody goji a pod.

Všetky nižšie uvedené recepty sú zostavené na prípravu 1800 ml nápoja alebo pokrmu, na prípravu menšieho množstva nápoja alebo pokrmu znížte objem všetkých surovín.

Smoothie s lesným ovocím

150 g zmesi malín, černík a čerešní, 150 g čučoriedok, 1 kivi, 600 ml vody

Banánové smoothie s čučoriedkami

5 banánov, 200 g čučoriedok, 500 ml mlieka, 2 lyžičky medu

Mangové smoothie

700 g manga, 300 ml bieleho jogurtu, 450 ml chladeného mlieka, kvapka vanilkového extraktu, štipka soli

Jablkové smoothie s uhorkou

450 g jablák, 250 g šalátovej uhorky, 600 ml jablkovej šťavy, muškátový oriešok a škoricca podľa chuti

Banánové smoothie s červenou repou

3 banány, 300 g červenej repy, 150 g bieleho jogurtu, 500 ml jablkovej šťavy, kúsok čerstvého strúhaného zázvoru, vopred namočené chia semenka

Paradajkové smoothie s mrkvou

500 g paradajok, 150 g mrkvy, 150 g stonkového zeleru, 400 ml jablkovej šťavy, štiplavá omáčka podľa chuti

Mliečne koktaily (program „smoothie“)

Jahodový koktail

250 g jahôd, 600 ml sójového mlieka, 3 banány, 60 g ovsených vločiek, 5 lyžičiek medu

Banánový koktail

250 g vanilkovej zmrzliny, 5 banánov, 750 ml mlieka

Čokoládový koktail

500 g čokoládovej zmrzliny, 500 ml mlieka, 21 g rozpustného nápoja Caro, 2 lyžičky medu

Broskyňový koktail

700 g broskyň, 250 g vanilkovej zmrzliny, 350 ml mlieka

Ovocné pyré a detské ovocné pokrmy (program „puree“)

Jablkové pyré

5 veľkých olúpaných a pokrájaných jabĺk, 400 ml vody, med podľa chuti

Marhuľová detská výživa

500 g marhúľ, 400 g olúpaných a pokrájaných jabĺk, 450 ml jablkovej šťavy, 5 lyžičiek medu

Zeleninové pyré (program „pyré“)

Karfiolové pyré

600 g karfiolu, 125 ml smotany na šľahanie (33 % tuku), 30 g masla

Postup: Scedené karfiolové ružičky, vopred varené cca 15 minút v osolenej vode, orestujte na 15 g masla a nechajte čiastočne vychladnúť. Do nádoby mixéra vložte orestovaný karfiol, smotanu a zvyšných 15 g masla, osolte, okoreňte a uzavrite, stlačte tlačidlo „puree“ a pripravte jemné karfiolové pyré.

Hráškové pyré

500 g mrazeného hrášku, 2 cibule, 125 ml smotany na šľahanie (33 % tuku), 100 ml zeleninového vývaru, 2 lyžice masla, lístok mäty

Postup: Hrášok uvarte domäkka v zeleninovom vývare, pridajte smotanu a ešte krátko povarte. Mierne vychladnutý hrášok so smotanou vložte do nádoby mixéra, pridajte maslo a zhruba polovicu vopred opraženej nadrobno pokrájanej cibule, zmes osolte, okoreňte a nádobu uzavrite. Stlačte tlačidlo „puree“ a pripravte hráškové pyré, ktoré podávajte zdobené zvyšnou polovicou opraženej cibule a lístkom mäty.

Zemiakovo-tekvicové pyré

400 g zemiakov varených v šupke, 250 g tekvice, 1 stredne veľká cibuľa, 100 až 200 ml mlieka (podľa vodnatosti tekvice), 10 g masla, 2 lyžičky sójovej omáčky, štipka muškátového orieška, trocha oleja

Postup: Nadrobno pokrájanú cibuľu opražte na oleji, pridajte na kocky pokrájanú neolúpanú tekvicu, maslo, mlieko a sójovú omáčku. Zmes osolte, okoreňte, dochuťte muškátovým orieškom a nechajte cca 10 minút dusiť. Mierne vychladnutú zmes a mierne vychladnuté olúpané zemiaky pokrájané na malé kocky vložte do nádoby mixéra, uzavrite, stlačte tlačidlo „puree“ a pripravte zemiakovo-tekvicové pyré.

Ľadová drť (program „ice“)

Čistá ľadová drť

600 ml ľadových kociek

Postup: Do mixéra dajte ľadové kocky (max. 2 x 2 cm), nádobu uzavrite, stlačte tlačidlo „ice“ a pripravte čistú ľadovú drť.

Ovocná ľadová drť

600 ml ľadových kociek, 50 ml sladeného ovocného sirupu

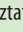
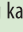
Postup: Do mixéra dajte ľadové kocky (max. 2 x 2 cm), zalejte ich ovocným sirupom, nádobu uzavrite. Stlačte tlačidlo „ice“ a pripravte ochutenú ľadovú drť.

Használati útmutató

Biztonsági utasítások

A készülék otthoni használatra ajánlott, a mixert kereskedelmi célokra és kültéri környezetben ne használja.

Ezt a készüléket 8 évnél idősebb gyermekek és csökkent fizikai, értelmi és mentális képességű személyek csak felügyelet mellett, vagy a készülék biztonságos használatára vonatkozó megfelelő tájékoztatás esetén használhatják, valamint ha tisztában vannak a használattal járó esetleges veszélyekkel. Gyermekek felügyelet nélkül nem végezhetnek tisztítási vagy karbantartási tevékenységet. Tartsa a készüléket és annak huzalját 8 évnél fiatalabb gyermekektől távol, ne hagyja, hogy a gyerekek játszanak a készülékkel.

Az elektromos hálózatba való csatlakoztatás előtt ellenőrizze, hogy a kezelőgomb „ – **kikapcsolva**” helyzetben van -e, az aljzattól való lekapcsolás előtt mindig kapcsolja át a „ – **kikapcsolva**” helyzetbe, és csak ezután húzza ki a csatlakozót az elektromos hálózathoz.

Mindig kapcsolja és húzza ki a mixert az áramforrásból, ha felügyelet nélkül hagyja, össze- és szétszerelés előtt, valamint tisztítás előtt.

A készüléket, hálózati kábelt és a csatlakozót soha ne mártsa vízbe. A csatlakozókábelt ne hagyja lógni az asztalról vagy a munkalapról és ne érintkezzen forró felülettel. Ne használja a készüléket forró gáz- vagy elektromos tűzhely közelében, és ne helyezze azokra.

Minden használat előtt győződjön meg róla, hogy a köztes darab a késekkel és az üvegedénnyel valamint a fedővel rendesen rögzítve legyen. Nem autorizált alkatrészek használata tűzveszélyes lehet, áramütést vagy személyi sérülést okozhat.

Ne kapcsolja be a készüléket, ha nincs benne semmilyen folyadék, vagy az edény üres. Ne töltse túl az üvegedényt. Mindig felhelyezett fedővel használja.

A rozsdamentes acél kések nagyon élesek, bánjon velük fokozott figyelemmel, ha a kések sérültek, ne használja a mixert.

Kerülje az érintkezést a mozgó részekkel. Mixereléskor ne tegye a kezét vagy konyhai eszközt az edénybe. Konyhai lapátot használhat, de csak amikor a mixer nincs bekapcsolva.

A motoros aljzat tisztításához ne használjon vizet, fennáll a sérülés veszélye.

VIGYÁZAT: A hőbiztosíték véletlenszerű visszaállításának kockázata elkerülése végett tilos a készüléket külső kapcsolóberendezésről csatlakoztatni mint pl. időzítő, vagy csatlakoztatni olyan áramkörre, ami rendszeresen ki- és bekapcsol. Ha a hőbiztosíték a készülék használata közben aktiválódik, kapcsolja ki a készüléket, húzza ki a kábelt az elektromos hálózathoz, és hagyja kihűlni a készüléket.

FIGYELMEZTETÉS: Ne vegye le az üvegedényt a készülékről, amíg az működésben van vagy amíg forognak a kések. Mindig várja meg, amíg a kések leállnak, csak azután vegye le az edényt.

A készülék megfelel a biztonsági előírásoknak. A hálózati kábel javítását kizárólag szakszerviz végezheti, kapcsolat www.tescoma.hu. A helytelenül és nem szakszerűen végrehajtott javítások nem képezhetik reklamáció tárgyát.

Műszaki paraméterek

Töltés MIN/MAX: 200/1800 ml

Feszültség: 220–230 V

Energiafogyasztás: 1800 W

Frekvencia: 50/60 Hz

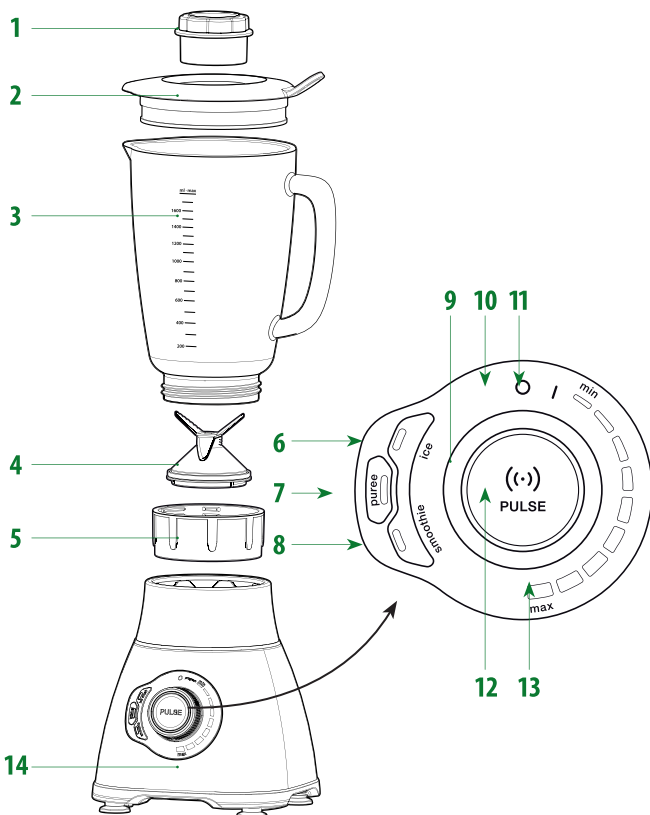
Fordulatszám: max. 22000/perc

Zajszint: Kevesebb mint 85 dB

Hálózati kábel hossza: 110 cm

Leírás

1. Fedő kupakja
2. Fedő nyílással
3. Üvegedény mérőskálával
4. Vágókések
5. Köztes darab
6. Jégkása program (ice)
7. Püré program (puree)
8. Smoothie program (smoothie)
9. Elforgatható kezelógomb
10. Kikapcsolva (O)
11. Bekapcsolva (I)
12. Pulzálómixerelés kapcsoló (PULSE)
13. Fordulat jelző (min./max.)
14. Aljzat kábellel, csatlakozóval és tapadókorongokkal



Első használat előtt

Csomagolja ki a mixert, rakja szét, mossa el és szárítsa meg (lásd Szétszerelés és Tisztítás).

Figyelmeztetés

Ne használja a mixert húsdarálásra. Ne rakjon az üvegedénybe 50 °C-nál magasabb hőmérsékletű élelmiszert. Ne használja az üvegedényt mikrohullámú sütőben.

Csatlakozás az elektromos hálózathoz

Helyezze az aljzatot tiszta, sima felületre. Győződjön meg róla, hogy az aljzat szilárdan tapad, és az elforgatható kezelógombot állítsa „O – kikapcsolva” helyzetbe. A kábelt a csatlakozóval csatlakoztassa 220–240 V-os hálózathoz.

Bekapcsolás

Az üvegedényt a szilárdan behúzott köztes darabbal és felhelyezett késekkel rögzítse a mixer aljzatához (1).

Az elforgatható kezelógombot állítsa a „I – bekapcsolva” (2) pozícióba. A programkijelző lámpa és a pulzáló mixerelés kapcsolók elkezdenek villogni, a mixer használatra kész.

Figyelmeztetés: Ha a jelzőlámpák bekapcsolás után nem világítanak, helyezze vissza a kezelógombot „**O** – **kikapcsolva**” pozícióba vegye le az edényt az aljzatról, és a köztes darabot a késekkel erősebben húzza be. Helyezze vissza az üvegedényt, és a újra a mixert.

Smoothie és tejes koktélok

Gyümölcs-, zöldség-és tejes koktélok készítéséhez kapcsolja be a „**smoothie**” programot.

Az edénybe töltsön min. 200 ml folyadékot, a többi nyersanyagot legfeljebb max. (1800 ml) jelölésig, **max.** 2 x 2 cm-es darabokra vagdosva (lásd a Recepteket) (3).

Zárja le az edényt kupakos fedővel (4) , nyomja meg a „**smoothie**” gombot (5), (7). A mixer szétzúzza az edény tartalmát, és elkészíti a smmoothie-t/koktélt. A program befejezése után automatikusan leáll.

Az elforgatható kezelógombot tekerje a „**O** – **kikapcsolva**” pozícióba (6). Vegye le az üvegedényt az aljzatról, emelje le a fedőt, és töltsse ki az italt.

Figyelmeztetés

Azonnali megállításhoz bármelyik program közben nyomja meg a futó program világitó gombját, és a mixer leáll.

Pürék és gyümölcsös bébiételek

Zöldség-, gyümölcsös pürék és bébiételek készítéséhez nyomja meg a „**puree**” gombot (8).

Az edénybe töltsön min. 200 ml folyadékot, és a többi felaprózott hozzávalót legfeljebb max. (1800 ml) jelölésig (lásd a Recepteket).

Zárja le az edényt a kupakos fedővel , nyomja meg a „**puree**” gombot. A mixer szétzúzza az edény tartalmát, és elkészíti pürét. A program befejezése után automatikusan leáll.

Az elforgatható kezelógombot tekerje a „**O** – **kikapcsolva**” pozícióba. Vegye le az üvegedényt az aljzatról, emelje le a fedőt, és töltsse ki a pürét lapátka segítségével.

Jégkása

Tiszta vagy gyümölcsös jégkása készítéséhez kapcsolja be az „**ice**” programot (9).

Tiszta jégkásához töltsse meg az edényt jégkockákkal 600 ml jelölésig folyadék hozzáadása nélkül.

Gyümölcsös jégkásához töltsön az edénybe kb. 0.5 dl édes gyümölcszörpöt, és adjon hozzá 600 ml jelölésig jégkockát (lásd a Recepteket).

Zárja le az edényt a kupakos fedővel , nyomja meg az „**ice**” gombot. A mixer szétzúzza az edény tartalmát, és s elkészíti a jégkását. A program befejezése után automatikusan leáll.

Az elforgatható kezelógombot tekerje a „**O** – **kikapcsolva**” pozícióba. Vegye le az üvegedényt az aljzatról, emelje le a fedőt, és töltsse ki a jégkását lapátka segítségével.

Figyelmeztetés: Jégkása készítéséhez használjon max. 2 x 2 cm-es jégkockákat, és tartsa be a 600 ml-es mennyiséget.

Jó tipp

A mérőskálával ellátott kupakot használja kisebb adag hozzávalóinak gyors mérésére, pl. gyümölcszörpre, jégkásához, valamint a pulzáló mixerelés közben történő hozzáadagoláshoz (lásd a nyersanyagok fokozatos adagolása pulzáló mixerelés közben).

Pulzáló mixerelés

Magasabb szárazanyag tartalmú vagy sűrű alapanyagok készítéséhez mint pl. gyökérezöldség, tök, dió, joghurt, fagylalt és has. használja a pulzáló mixerelés funkciót az alapanyagok fokozatos adagolásával (10).

Az edénybe töltsön min. 200 ml folyadékot, és adja hozzá a többi hozzávalót kb. 1000 ml jelölésig.

A pulzáló mixerelés kapcsolóját ismételten nyomja le majd engedje el, míg a keverék el nem éri a szükséges sűrűséget.

A nyersanyagok fokozatos adagolása pulzáló mixerelés közben

Engedje el a pulzáló mixerelés gombját, és várja meg, amíg a mixer leáll. Vegye ki a kupakot a fedőből az óramutató járásával ellentétes irányba, és a nyíláson keresztül töltsé bele a többi hozzávalót.

Helyezze vissza a kupakot, és folytassa a pulzáló mixerelést a hozzávalók fokozatos adagolásával.

Mixerelés folyamatos sebességszabályozással

Egyéb étel és ital készítéséhez használja ezt a funkciót.

Az edénybe töltsön min. 200 ml folyadékot, és a többi felaprózott hozzávalót legfeljebb max. (1800 ml) jelölésig.

A kezelőgombot állítsa „**min**” helyzetbe, és a készülék alacsony fordulatszámon mixerelni kezd. A fordulatszámot csökkentheti vagy növelheti a „**min**” és „**max**” (11) gombok forgatásával, míg meg nem kapjuk a kívánt sűrűséget.

Fontos figyelmeztetés

Ne hagyja a mixert keverni 120 másodpercnél tovább!

Ismételt mixerelésnél, ami tovább tart mint 120 mp, a mixer túlmelegedés miatt, biztonsági okokból leáll. Ilyenkor húzza ki a mixert a hálózatból, hagyja pihenni 30 percig, majd kapcsolja vissza, és folytassa a keverést. Ha a kék kijelzők a mixer bekapcsolása után 30 perccel villogni fognak, de a gép nem dolgozik, várjon további 10–20 percet s csak utána folytassa a mixerelést.

Ha a mixerelt zöldség vagy gyümölcs nagyon kemény vagy túl nagy az adag, a készülék megáll. Az elforgatható kezelőgombot tekerje a „**O** – **kikapcsolva**” pozícióba, a nagyon nagy vagy kemény darabokat vegye ki az edényből, aprítsa fel kisebb darabokra, helyezze vissza az edénybe és folytassa a mixerelést.

Gyors tisztítás

Az edény és a kések gyors tisztításához töltsön az edénybe max. 1800 ml jelölésig tiszta vizet, helyezze vissza a fedőt, és ismételten nyomja meg a pulzáló mixerelés gombot.

Szét szerelés

Az elforgatható kezelőgombot tekerje a „**O** – **kikapcsolva**” pozícióba (12), húzza ki a kábelt az aljzatból, és szedje szét a mixert. Vegye ki a fedőből a kupakot, és vegye le a fedőt az edényről. Tekerje le az üvegedényről a köztes darabot a késekkel (13), a késeket nyomja meg alulról, és vegye le a köztes darabról (14). **A vágókésekkel manipuláljon óvatosan, nagyon élesek!**

Jó tipp: A köztes darab könnyebb kiengedése érdekében helyezze az edényt az aljzatba, nyomja meg lefelé, és az óramutató járásával ellentétes irányba engedje ki a köztes darabot (15).

Tisztítás

Az üvegedény, a fedő és a kupak mosogatógépbe alkalmas, a köztes darabot és a késeket mossa el folyó víz alatt majd szárítsa meg, ne rakja mosogatógépbe.

Az aljzatot szükség szerint törölje át száraz ruhával, ne mossa sem folyó víz alatt, sem mosogatógépben.

Figyelmeztetés

A PRESIDENT 1.8 I asztali turmixgép speciálisan élezett, rozsdamentes acél keverőkésekkel rendelkezik. A kések eltompulása intenzív vagy helytelen használat következtében (túl kemény vagy nagy alapanyagok) természetes jelenség, nem képezheti reklamáció tárgyát. A tartalék keverőkéseket keresse üzleteinkben vagy a TESCOMA szervizközpontjában, www.tescoma.hu.

2 év garancia.

Receptek

Gyümölcs- és zöldség smoothie („smoothie“ program)

Ezeket a smoothie-kat meghámozott és feldarabolt (max. 2 x 2 cm) zöldségből és gyümölcsből készítte a szükséges folyadék hozzáadásával, ez általában kb. 600 ml víz, gyümölcslé, tej és has. 1800 ml tartalomhoz.

Megfelelő gyümölcsök: Banán, alma, körte, sárgabarack, őszibarack, mangó, citrom, grapefruit, kiwi, narancs, mandarin, dinnye, erdei gyümölcs, szezonális gyümölcsök stb.

Megfelelő zöldségek: Répa, zeller, petrezselyem, cékla, retek, különböző saláták és gyógynövények, pl. kínai káposzta, spenót, káposzta, rukkola, cikória, zsáza, csalán, pitypang, útifű, medvehagyma stb.

A tápérték és az ízek fokozása érdekében tehet hozzá egész diót, beáztatott szezámm-, len-, chia-, napraforgó-, tök- vagy kendermagot, beáztatott aszalt gyümölcsöt vagy aromás fűszereket, mint pl. őrölt fahéjat, gojít stb.

Az összes, az alábbiakban felsorolt recept 1800 ml ital vagy étel elkészítésére van összeállítva, kevesebb mennyiség elkészítéséhez arányosan csökkentse az összes hozzávalót.

Erdei gyümölcsös smoothie

150 g málna, szeder és cseresznye, 150 g fekete áfonya, 1 kiwi, 600 ml víz

Banános smoothie fekete áfonyával

5 banán, 200 g fekete áfonya, 500 ml tej, 2 kanál méz

Mangós smoothie

700 g mangó, 300 g fehér joghurt, 450 ml hideg tej, csepp vanília kivonat, csipet só

Alma smoothie uborkával

450 g alma, 250 g kígyóuborka, 600 ml almalé, szerezsendió és fahéj ízlés szerint

Banános smoothie céklával

3 banán, 300 g cékla, 150 g fehér joghurt, 500 ml almalé, pici frissen reszelt gyömbér, előre beáztatott chia mag

Paradicsomos smoothie répával

500 g paradicsom, 150 g répa, 150 g zeller, 400 ml almalé, csípős szósz ízlés szerint

Tejes koktélok („smoothie“ program)

Eper koktél

250 g eper, 600 ml szójatej, 3 banán, 60 g zabpehely, 5 kanál méz

Banán kotél

250 g vanília fagylalt, 5 banán, 750 ml tej

Csokoládé koktél

500 g csokoládé fagylalt, 500 ml tej, 21 g Nestlé Caro instant kávéital, 2 kanál méz

Őszibarack koktél

700 g őszibarack, 250 g vanília fagyalt, 350 ml tej

Gyümölcspürék és bébiételek („puree” program)

Alma püré

5 nagy hámozott és felszeletelt alma, 400 ml víz, méz ízlés szerint

Sárgabarack tízórai

500 g sárgabarack, 400 g hámozott és felszeletelt alma, 450 ml almalé, 5 kanál méz

Zöldségpürék („puree” program)

Karfiol püré

600 g karfiol, 125 ml tejszín (33 %), 30 g vaj

Elkészítés: A karfiolt kb. 15 percig főzzük sós vízben, leszűrjük, majd 15 g vajon megpirítjuk, és hagyjuk kissé kihűlni. Belerakjuk az üvegedénybe a karfiolt, tejszint, a maradék 15 g vajat, sózzuk, borsozzuk és lezárjuk. Lenyomjuk a „puree” gombot, és elkészítjük a lágy karfiol pürét.

Burgonya-sütőtök püré

400 g héjában főtt krumpli, 250 g sütőtök, 1 közepes nagyságú vöröshagyma, 100–200 ml tej (a tők vízességétől függően), 10 g vaj, 2 teáskanál szójaszósz, csipet szerecsendió, kevés olaj

Elkészítés: Az apróra vágott hagymát olajon megpirítjuk, hozzáadjuk a kockákra vágott, hámozatlan tököt, a vajat, tejet és a szójaszószot. Sózzuk, borsozzuk, szerecsendióval ízesítjük, és kb. 10 percig pároljuk. A kissé kihűlt keveréket és az apró kockákra vágott, meghámozott burgonyát a mixerbe helyezzük, lezárjuk, lenyomjuk a „puree” gombot, és elkészítjük a finom pürét.

Borsó püré

500 g fagyasztott borsó, 2 hagyma, 125 ml tejszín (33 %), 100 ml zöldségleves, 2 kanál vaj, mentalevél

Elkészítés: A borsót puhára főzzük a zöldséglevesben, hozzáadjuk a tejszint és rövid ideig még főzzük. Ha kicsit kihűlt, átrakjuk a mixer edényébe, hozzáadjuk a vajat és a hagyma felét, amit előre felaprítottunk és lepirítottunk, megsózzuk, borsozzuk, és az edényt lezárjuk. Lenyomjuk a „puree” gombot, és elkészítjük a borsó pürét, melyet a maradék lepirított hagymával és mentalevéllel díszítve tálalunk.

Jégekása („ice” program)

Tiszta jégekása

600 ml jégkocka

Elkészítés: Belerakjuk a mixerbe a jégkockákat (max. 2 x 2 cm), az edényt lezárjuk, lenyomjuk az „ice” gombot, és elkészítjük a tiszta jégekását.

Gyümölcsös jégekása

600 ml jégkocka, 50 ml édes gyümölcszörp

Elkészítés: Belerakjuk a mixerbe a jégkockákat (max. 2 x 2 cm), leöntjük a gyümölcszörppel, és lezárjuk az edényt. Lenyomjuk az „ice” gombot, és elkészítjük az ízesített jégekását.

Инструкция по использованию

Инструкция по технике безопасности

Предназначен для использования в домашних условиях, не используйте миксер для коммерческих целей, на открытых площадках и в иных, нежели предписанных, целях.

Дети от 8 лет и лица с ограниченными физическими, сенсорными или умственными способностями или с отсутствием опыта и знаний могут использовать устройство под присмотром или после ознакомления с техникой безопасности. Пользователь несет ответственность за возможный риск. С прибором запрещено играть детям, очистка и пользовательское обслуживание не могут проводиться детьми без присмотра.

Перед подключением вилки к розетке всегда убедитесь, что ручка находится в положении «**O – выключено**», прежде чем отсоединять от сетевой розетки, всегда переключайте регулятор в положение «**O – выключено**», а затем вынимайте вилку из розетки.

Всегда выключайте и отсоединяйте миксер от блока питания, если он оставлен без присмотра, перед сборкой, разборкой, очисткой или обращением с подвижными частями.

Не погружайте прибор, сетевой кабель и сетевую вилку в воду. Не оставляйте кабель на краю стола или стойки и избегайте его контакта с горячими поверхностями, не помещайте его на горячую газовую или электрическую плиту или поблизости, а также возле нагретой духовки.

Перед каждым использованием убедитесь, что соединительная часть с ножами и стеклянная чаша с крышкой правильно установлены. Использование неавторизованных дополнительных аксессуаров может привести к пожару, поражению электрическим током или травмам.

Никогда не включайте прибор, если в чаше нет никакой жидкости или она пуста. Избегайте переполнения чаши. Миксер используйте только с надетой крышкой.

Ножи миксера из нержавеющей стали очень острые, будьте особенно осторожны при обращении с ножами, в случае повреждения ножей не пользуйтесь миксером.

Избегайте контакта с подвижными частями прибора. В процессе смешивания не помещайте руки или кухонную утварь в чашу. Можно воспользоваться лопаткой, однако только в то время, когда миксер не включен.

Для очистки основания миксера с мотором не используйте воду, угроза получения травмы.

ВНИМАНИЕ: Во избежание опасности, вызванной случайным переключением теплового предохранителя, прибор не должен быть подключен к внешним источникам питания таким как таймер или подключен к электросети, которая регулярно включается и отключается. Если во время использования прибора активируется тепловой предохранитель, выключите прибор, отключите вилку от электросети и оставьте прибор остывать.

ПРЕДУПРЕЖДЕНИЕ: Не снимайте стеклянную чашу с основания, когда миксер включен или ножи еще вращаются. Всегда дождитесь остановки ножей и только потом снимайте стеклянную чашу с основания.

Прибор соответствует стандартам безопасности. Ремонт или замена электрического кабеля должна осуществляться только авторизованным сервисным центром, контакты на сайте www.tescomarussia.ru. При непрофессионально проведенном ремонте нельзя предъявлять претензию производителю.

Технические параметры

Наполнение мин/макс: 200/1800 мл

Источник питания: 220–240 В

Потребляемая мощность: 1800 Вт

Частота: 50/60 Гц

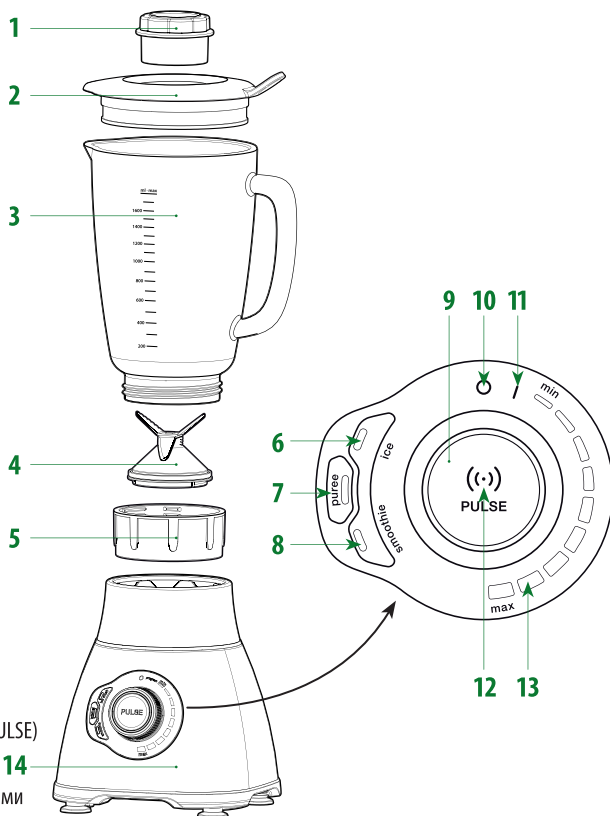
Скорость: Макс. 22000/мин

Уровень шума: Менее 85 дБ

Длина кабеля питания: 110 см

Описание

1. Пробка
2. Крышка с отверстием
3. Стеклонная чаша со шкалой
4. Ножи миксера
5. Соединительная часть
6. Программа для колотого льда (ice)
7. Программа для пюре (puree)
8. Программа для смузи (smoothie)
9. Ручка
10. Выключено (O)
11. Включено (I)
12. Переключатель импульсного режима (PULSE)
13. Индикатор скорости (min/max)
14. Основание с кабелем, вилок и присосками



Перед первым использованием

Все части миксера распакуйте, разложите, вымойте и высушите (см. Разборка и Очистка).

Внимание

Миксер не используйте для перемалывания мяса. В стеклянную чашу не помещайте продукты и жидкости с температурой выше 50 °С. Стеклонную чашу не используйте в микроволновой печи.

Подключение к сети

Основание миксера установите на чистую и гладкую поверхность. Убедитесь, что основание устойчиво, а ручку установите в положение «O – выключено». Кабель с вилок подключите к сети 220–240 В.

Подключение

Стеклонную чашу с хорошо прикрученной соединительной частью с надетыми ножами миксера установите на основание миксера (1).

Ручку переведите в положение «I – включено» (2). Индикаторы программ и импульсного режима начнут мигать, миксер готов к использованию.

Внимание: Если индикаторы после подключения не зажгутся, переведите регулятор обратно в положение «O – выключено», чашу снимите с основания и соединительную часть с ножами закрутите сильнее. Стеклонную чашу насадите обратно и повторите включение.

Смузи и молочные коктейли

Для приготовления фруктовых, овощных и молочных коктейлей используйте режим **«smoothie»**.

В чашу налейте мин. 200 мл жидкости и добавьте максимум до отметки **max** (1800 мл) остальные ингредиенты нарезанные на кусочки максимум 2 x 2 см (см. Рецепты) (3).

Чашу закройте крышкой с пробкой (4) и нажмите кнопку **«smoothie»** (5), (7). Миксер перемешает содержимое чаши и приготовит смузи/коктейль, после окончания программы автоматически выключится.

Ручку переведите в положение **«O – выключено»** (6). Стекланную чашу снимите с основания, снимите крышку с пробкой и налейте напиток.

Внимание

Для немедленного выключения миксера во время любого режима нажмите светящуюся кнопку запуска режима и миксер выключится.

Пюре и детское питание

Для приготовления пюре из овощей или фруктов, фруктового детского питания и т. п. используйте режим **«puree»** (8).

В чашу налейте мин. 200 мл жидкости и добавьте максимум до отметки **max** (1800 мл) остальные ингредиенты (см. Рецепты).

Чашу закройте крышкой с пробкой и нажмите кнопку **«puree»**. Миксер перемешает содержимое чаши и приготовит пюре по окончании программы автоматически выключится.

Ручку переведите в положение **«O – выключено»**. Стекланную чашу снимите с основания, снимите пробку и выньте пюре подходящим инструментом, например лопаткой, из чаши.

Колотый лед

Для приготовления чистого или фруктового колотого льда используйте режим **«ice»** (9).

Для приготовления чистого колотого льда заполните стекланную чашу кубиками льда до отметки 600 мл без добавления жидкости.

Для приготовления фруктового колотого льда налейте в стекланную чашу примерно 0,5 дл сладкого фруктового сиропа и добавьте до отметки 600 мл кубики льда (см. Рецепты).

Чашу закройте крышкой с пробкой и нажмите кнопку **«ice»**. Миксер перемешает содержимое чаши и приготовит колотый лед, по окончании программы автоматически выключится.

Ручку переведите в положение **«O – выключено»**. Стекланную чашу снимите с основания, снимите пробку и колотый лед выньте из чаши подходящим инструментом, например, лопаткой.

Внимание: Для приготовления колотого льда используйте обычные кубики льда размером максимум 2 x 2 см и соблюдайте их объем 600 мл.

Полезный совет

Пробку со шкалой используйте для быстрого измерения меньшего количества ингредиентов, например, фруктового сиропа при приготовлении фруктового колотого льда и для добавления ингредиентов при импульсном режиме (см. Постепенное добавление ингредиентов в импульсном режиме).

Импульсный режим

Для приготовления напитков или блюд с повышенным содержанием твердых или густых ингредиентов, например, корнеплодов, тыквы, орехов, йогурта, мороженого и т. п. используйте функцию импульсного режима с постепенным добавлением ингредиентов (10).

В стекланную чашу налейте мин. 200 мл жидкости и добавьте остальные ингредиенты примерно до отметки 1000 мл.

Кнопку импульсного режима повторно нажимайте и отпускайте до тех пор, пока смесь не будет размешана до нужной консистенции.

Постепенное добавление ингредиентов в импульсном режиме

Отпустите кнопку импульсного режима и дождитесь выключения миксера. Поворотом против часовой стрелки выньте пробку из крышки и добавьте через отверстие в чашу остальные нарезанные на кусочки ингредиенты.

Вставьте пробку обратно и продолжайте постепенно добавлять ингредиенты.

Смешивание с плавной регулировкой

Для приготовления прочих напитков и блюд используйте функцию смешивания с плавной регулировкой скорости.

В стеклянную чашу налейте мин. 200 мл жидкости и добавьте максимум до отметки **max** (1800 мл) остальные нарезанные на кусочки ингредиенты.

Ручку поверните в положение «**min**» и прибор начнет содержимое чаши перемешивать на низкой скорости.

Скорость повышайте или понижайте, поворачивая ручку между положениями «**min**» и «**max**» (11), пока смесь не будет перемешана до нужной консистенции.

Важное замечание

Не используйте миксер для смешивания без остановки дольше 120 секунд!

При повторном смешивании дольше 120 секунд прибор выключится во избежание перегрева. В таком случае отключите миксер от сети и не используйте его в течение 30 минут, затем подключите к сети и продолжите смешивание. Если синие индикаторы после 30 минут после включения миксера будут светиться, но миксер не смешивает, подождите от 10 до 20 минут, после чего продолжайте смешивание.

Если смешиваемые фрукты или овощи слишком твердые или куски слишком большие, миксер выключится. Ручку поверните в положение «**О – выключено**» и слишком твердые или слишком большие уберите или нарежьте на более мелкие кусочки, снова вложите их в чашу и продолжайте смешивание.

Быстрая очистка

Для быстрой очистки стеклянной чаши и ножей миксера от остатков волокон и т. п. наполните чашу максимально до отметки **max** (1800 мл) чистой водой, наденьте крышку и несколько раз включите и выключите импульсный режим.

Разборка

Ручку поверните в положение «**О – выключено**» (12), кабель выньте из розетки и разберите миксер. Пробку выньте из крышки и крышку снимите со стеклянной чаши. От стеклянной чаши отвинтите соединительную часть с ножами (13), на ножи миксера нажмите снизу и выньте их из соединительной части (14). **Будьте осторожны при обращении с ножами миксера, ножи очень острые!**

***Полезный совет:** Чтобы ослабить соединительную часть вставьте чашу в основание миксера, слегка надавите на нее и ослабьте соединительную часть поворотом чаши против часовой стрелки (15).*

Очистка

Стеклянную чашу, крышку и пробку со шкалой можно мыть в посудомоечной машине, ножи миксера и соединительную часть промойте под проточной водой и высушите, не мойте в посудомоечной машине. При необходимости протрите сухой тряпкой основание миксера, не мойте ни под проточной водой, ни в посудомоечной машине.

Внимание

Настольный миксер PRESIDENT 1,8 л оснащен специально заточенными ножами миксера из первоклассной нержавеющей стали. Затупление ножей при интенсивном или неправильном использовании (слишком твердые или крупно нарезанные ингредиенты) является естественным процессом и не подлежит рекламации. Запасные ножи для миксера спрашивайте у своего продавца или в сервисном центре TESCOMA, контакт на www.tescomarussia.ru.

На данное изделие предоставляется гарантия 2 года.

Рецепты

Фруктовые и овощные смузи (режим «smoothie»)

Фруктовые и овощные коктейли (смузи) готовьте из очищенных и нарезанных фруктов и овощей (макс. 2 x 2 см) с добавлением необходимого количества жидкости, т. е. обычно примерно 600 мл воды, фруктового сока, молока и т. п. для 1800 мл содержимого.

Подходящие типа фруктов: Бананы, яблоки, груши, абрикосы, персики, манго, лимоны, грейпфруты, киви, апельсины, мандарины, арбузы, лесные ягоды, любые сезонные фрукты и т. д.

Подходящие типы овощей: Морковь, корневой сельдерей, петрушка, свекла, редис, различные виды листьев салата и растений, напр. китайская капуста, шпинат, капуста, руккола, цикорий, кресс-салат, крапива, одуванчики, подорожник и т. п.

Для повышения питательности и улучшения вкуса можно добавить в миксер целые орехи, замоченные кунжутные, льняные, подсолнечные, тыквенные или конопляные семечки, замоченные сухофрукты, специи, напр. корицу, ягоды годжи и т. п. Ниже приведенные рецепты рассчитаны для приготовления 1800 мл напитков или блюд, для приготовления меньшего количества напитков или блюд пропорционально снизьте объем ингредиентов.

Коктейль с лесными ягодами

150 г смеси малины, ежевики и черешни, 150 г черники, 1 киви, 600 мл воды

Банановое смузи с черникой

5 бананов, 200 г ягод черники, 500 мл молока, 2 чайные ложки меда

Смузи из манго

700 г манго, 300 г белого йогурта, 450 мл охлажденного молока, капля ванильного экстракта, щепотка соли

Яблочное смузи с огурцом

450 г яблок, 250 г огурцов, 600 мл яблочного сока, мускатный орех и корица по вкусу

Банановое смузи со свеклой

3 банана, 300 г свеклы, 150 г белого йогурта, 500 мл яблочного сока, кусочек натертого имбиря, предварительно замоченные чиа семена

Томатное смузи с морковью

500 г помидоров, 150 г моркови, 150 г стеблей сельдерея, 400 мл яблочного сока, острый соус по вкусу

Молочные коктейли (режим «smoothie»)

Клубничный коктейль

250 г клубники, 600 мл соевого молока, 3 банана, 60 г овсяных хлопьев, 5 чайных ложек меда

Банановый коктейль

250 г ванильного мороженого, 5 бананов, 750 мл молока

Шоколадный коктейль

500 г шоколадного мороженого, 500 мл молока, 21 г растворимого напитка Саго, 2 чайные ложки меда

Персиковый коктейль

700 г персиков, 250 г ванильного мороженого, 350 мл молока

Фруктовые пюре и фруктовое детское питание (режим «puree»)

Яблочное пюре

5 больших очищенных и нарезанных яблок, 400 мл воды, мед по вкусу

Абрикосовое пюре

500 г абрикосов, 400 г очищенных и нарезанных яблок, 450 мл яблочного сока, 5 чайных ложек меда

Овощные пюре (режим «puree»)

Пюре из цветной капусты

600 г цветной капусты, 125 мл сливок (33 % жира), 30 г сливочного масла

Последовательность: Предварительно отваренные (примерно 15 минут) и сцеженные соцветия цветной капусты обжарьте на 15 г сливочного масла и дайте им немного остыть. В чашу миксера поместите обжаренную цветную капусту, сливки и оставшиеся 15 г сливочного масла, добавьте соль и перец, закройте крышкой, нажмите кнопку «puree» и приготовьте нежное пюре из цветной капусты.

Гороховое пюре

500 г замороженного горошка, 2 луковицы, 125 мл сливок (33 % жира), 100 мл овощного бульона, 2 столовые ложки сливочного масла, мята

Последовательность: Горошек отварите в овощном бульоне до мягкости, добавьте сливки и поварите еще немного. Слегка охлажденные горошек со сливками поместите в чашу миксера, добавьте сливочное масло и примерно половину заранее поджаренного мелко нарезанного лука, добавьте соль, перец по вкусу и закройте чашу. Нажмите кнопку «puree» и приготовьте гороховое пюре, к которому подайте оставшуюся часть обжаренного лука и листик мяты.

Пюре из картофеля и тыквы

400 г картофеля, отваренного в мундире, 250 г тыквы, 1 луковица среднего размера, от 100 до 200 мл молока (в зависимости от сочности тыквы), 10 г сливочного масла, 2 чайные ложки соевого соуса, щепотку мускатного ореха, немного растительного масла

Последовательность: Мелко нарезанный лук обжарить на растительном масле, добавить нарезанную на кубики неочищенную тыкву, сливочное масло, молоко и соевый соус. Добавьте соль, перец и мускатный орех по вкусу и оставьте тушиться примерно на 10 минут. Слегка остывшую смесь и охлажденный очищенный картофель, нарезанный на мелкие кубики, поместите в чашу миксера, закройте крышкой, нажмите кнопку «puree» и приготовьте пюре из картофеля и тыквы.

Колотый лед (режим «ice»)

Чистый колотый лед

600 мл кубиков льда

Последовательность: Поместите в чашу миксера кубики льда (макс. 2 x 2 см), чашу закройте, нажмите кнопку «ice» и приготовьте колотый лед.

Фруктовый колотый лед

600 мл кубиков льда, 50 мл охлажденного фруктового сиропа

Последовательность: Поместите в чашу миксера кубики льда (макс. 2 x 2 см), залейте их фруктовым сиропом, чашу закройте. Нажмите кнопку «ice» и приготовьте фруктовый колотый лед.

tescoma®

President



Countertop blender **PRESIDENT 1.8 l**
Stolní mixér **PRESIDENT 1,8 l**
Frullatore **PRESIDENT 1,8 l**
Batidora de vaso **PRESIDENT 1,8 l**
Liquidificador **PRESIDENT 1,8 l**
Standmixer **PRESIDENT 1,8 l**
Mixeur de table **PRESIDENT 1,8 l**
Mikser stołowy **PRESIDENT 1,8 l**
Stolný mixér **PRESIDENT 1,8 l**
PRESIDENT Asztali mixer **1.8 l**
Настольный миксер **PRESIDENT 1,8 л**

Art.: 909040



AC 220–240 V 50–60 Hz 1800 W

designed by **tescoma** design protected
www.tescoma.com

TESCOMA s.r.o., U Tescomy 241, 760 01 Zlín, Czech Republic
TESCOMA distributors:
IT, Cazzago S.M. (BS), Trav. Caduti del Lavoro 3
ES, TESCOMA España, S.L., Mutramel, Alicante, Pl.Riodel, E4
PT, Espargo, Sta. Maria da Feira, Rua 25 de Abril 215
PL, Katowice, Warzywna 14
SK, Púchov, Nimnická cesta
UA, Озєца, ТОВ „Т.Д.Т.“, 2/1 Б. Cryca
DE, Butzbach-Griedel, Wingerstr.
HU, 1115 Bp., TESCOMA Kft., Keyeháza u. 1-3.
CN, Guangzhou, Tianhe District