

ASSEMBLY INSTRUCTIONS

Read these instructions carefully. Refer to hardware and furniture parts list for guidance. Be sure all parts are complete, before assembling. Place all wooden furniture parts on a clean and flat soft surface to prevent scratches. Refer to steps provided as assembling guide.

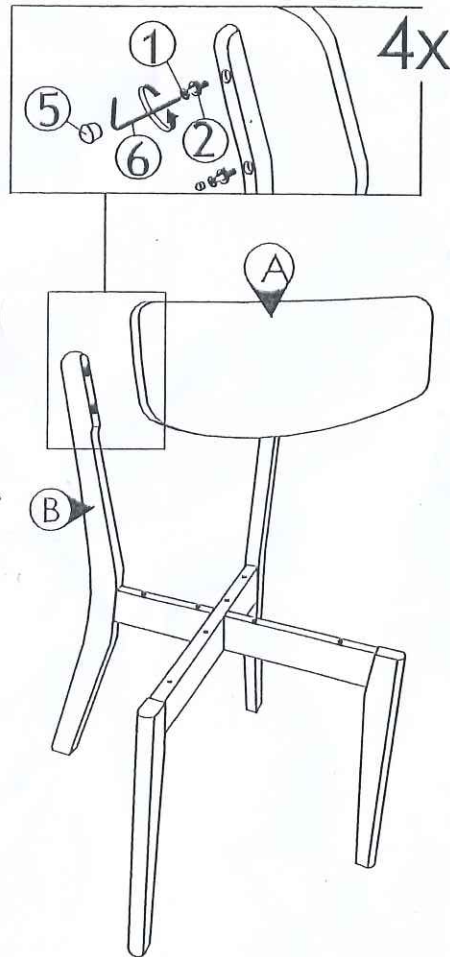
CAUTIONS :

1. Do not **FULLY-TIGHTEN** the nuts or nut bolts until all are in place.
2. To prevent thread damage. Ensure that nuts or nut bolts are not over-tightened.
3. Hardware is to be kept out of reach of children.

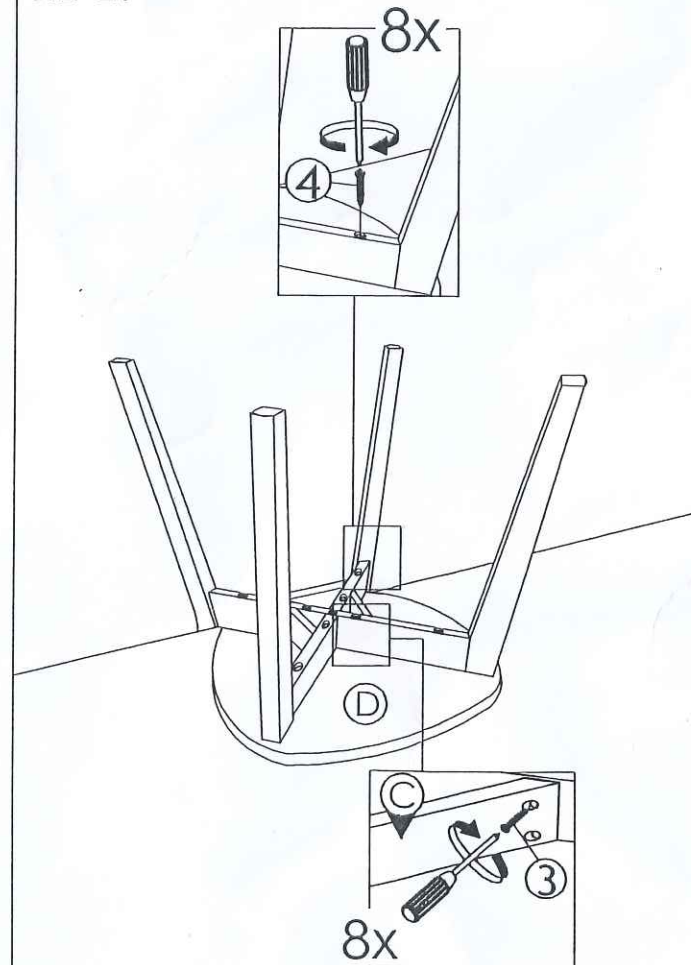
PART LIST		
ITEM	DESCRIPTION	QTY
A	BACK VENEER	1 PC
B	SIDE LEGS (L & R)	2 PCS
C	CORNER BLOCK	2 PCS
D	CUSHION SEAT	1 PC

HARDWARE LIST		
ITEM	DESCRIPTION	QTY
1	JCBC SCREW M6 x 25MM 	4 PCS
2	SPRING WASHER 1/4" 	4 PCS
3	PAN HEAD WOOD SCREW M4 X 25MM 	8 PCS
4	PAN HEAD WOOD SCREW M5 X 32MM 	8 PCS
5	WOOD BUTTON (DIA:14.5) 	4 PCS
6	M4 ALLEN KEY (BALL SHAPE) LONG 	1 PC

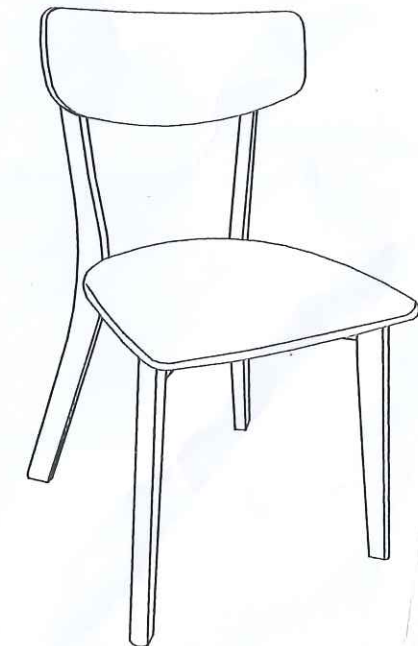
STEP 1 :



STEP 2 :



STEP 3 :



COMPLETED CHAIR ASSEMBLY