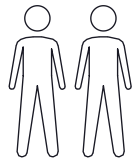
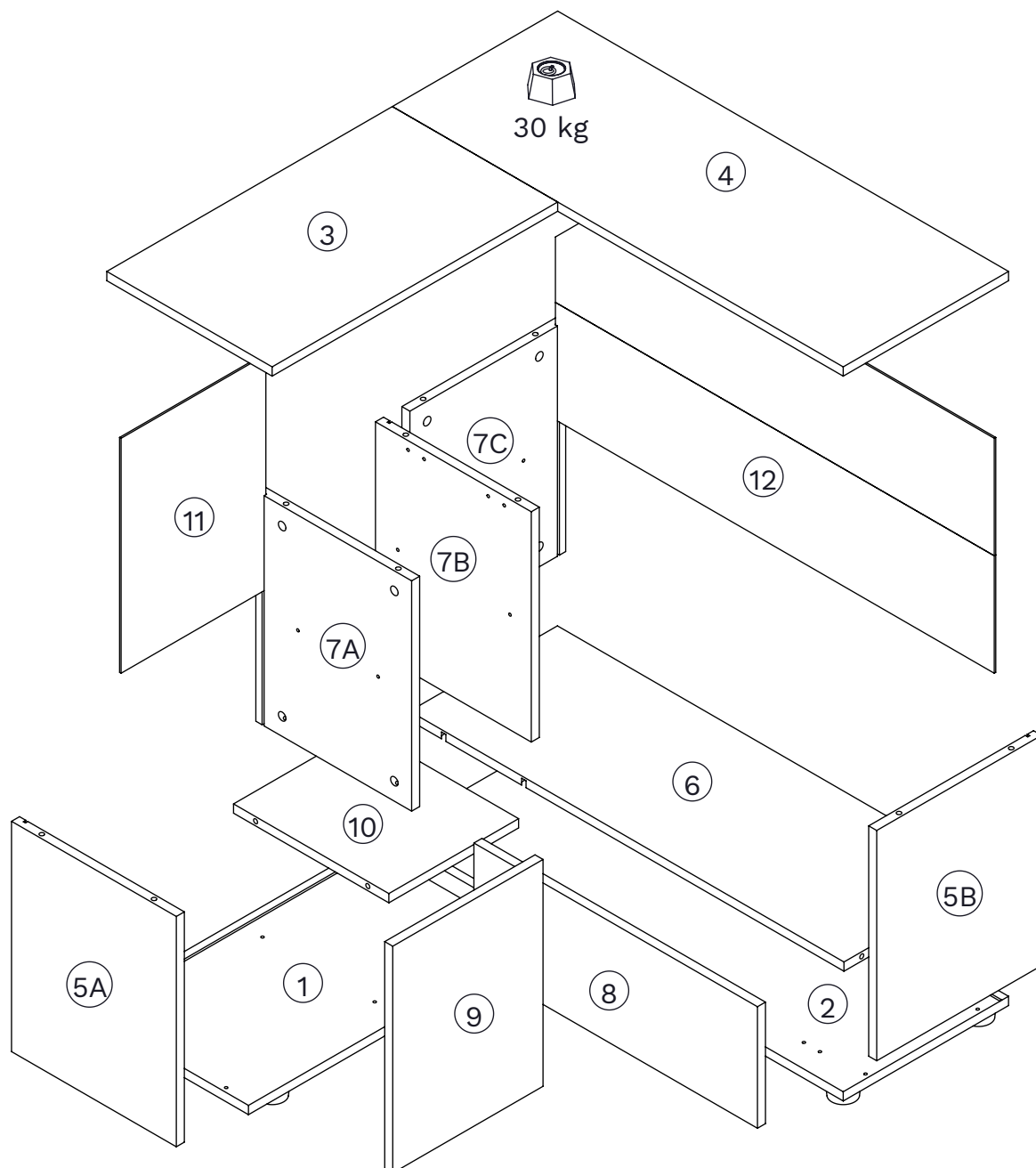



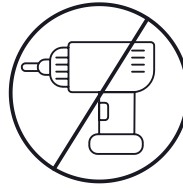
1:30



x 2



○	x	mm	
1	1	570 x 330 x 16	1
2	1	900 x 330 x 16	1
3	1	570 x 330 x 16	1
4	1	900 x 330 x 16	1
5	2	398 x 329 x 16	1
6	1	867 x 295 x 16	1
7	3	398 x 311 x 16	1
8	1	566 x 210 x 16	1
9	1	392 x 300 x 16	1
10	1	259 x 310 x 16	1
11	1	406 x 289 x 3	1
12	1	876 x 406 x 3	1



AA x28



BA x28



AGB x2



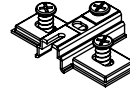
AFB x2



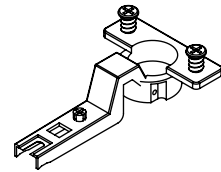
Ø6.3x11mm  
FB x12



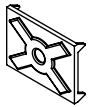
Ø4x15mm  
IJ x4



KL x4



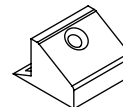
KC x4



OA x2



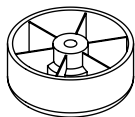
Ø3x20mm  
GB x10



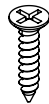
OB x8



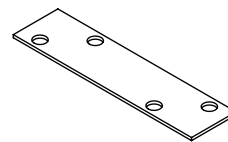
EDC x8



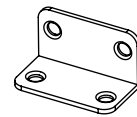
RN x6



Ø4x20mm  
IB x6






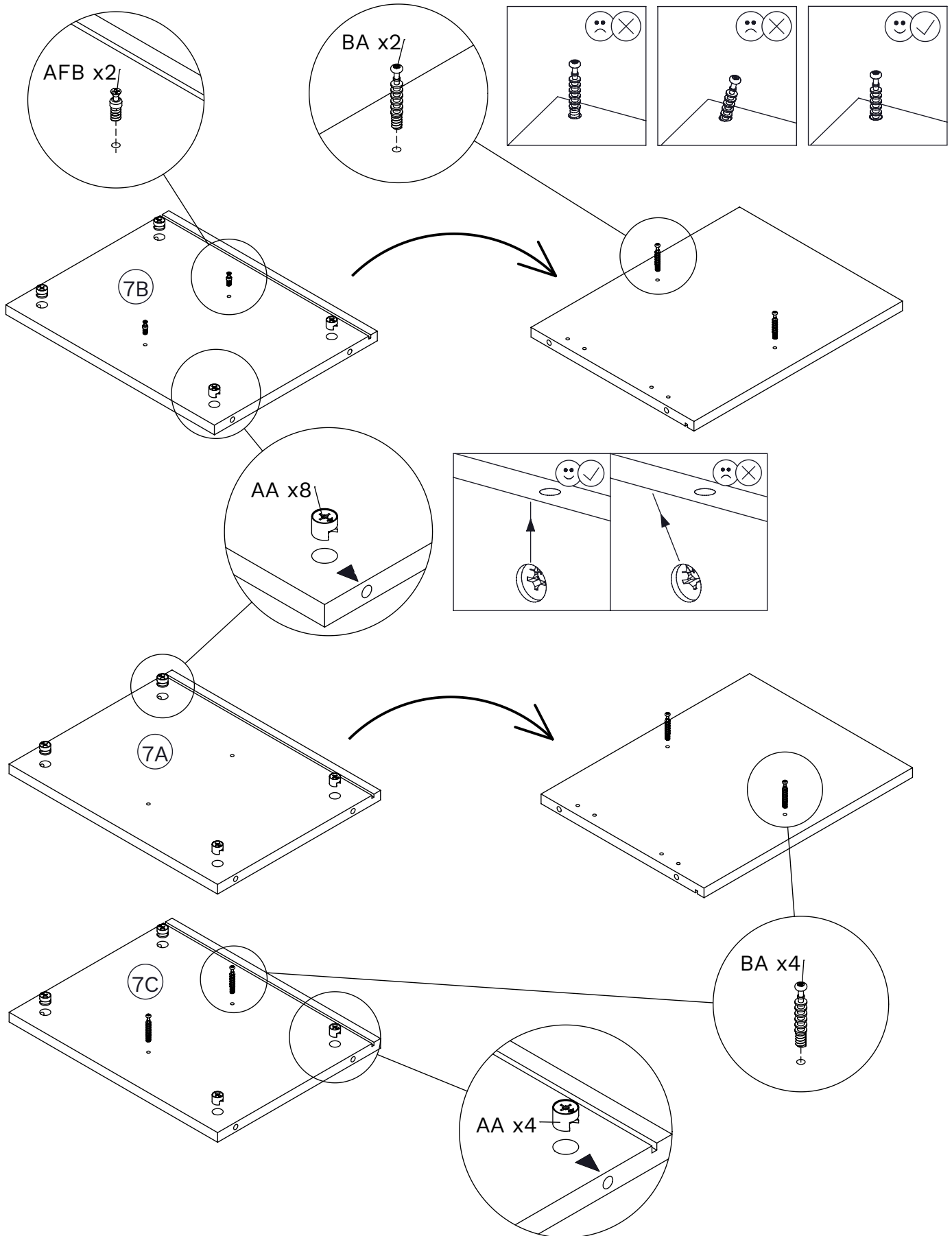
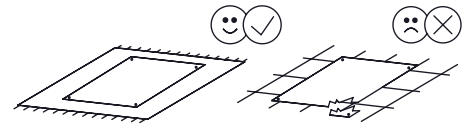
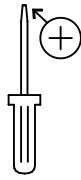
SG x2





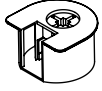
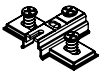
NEB x2

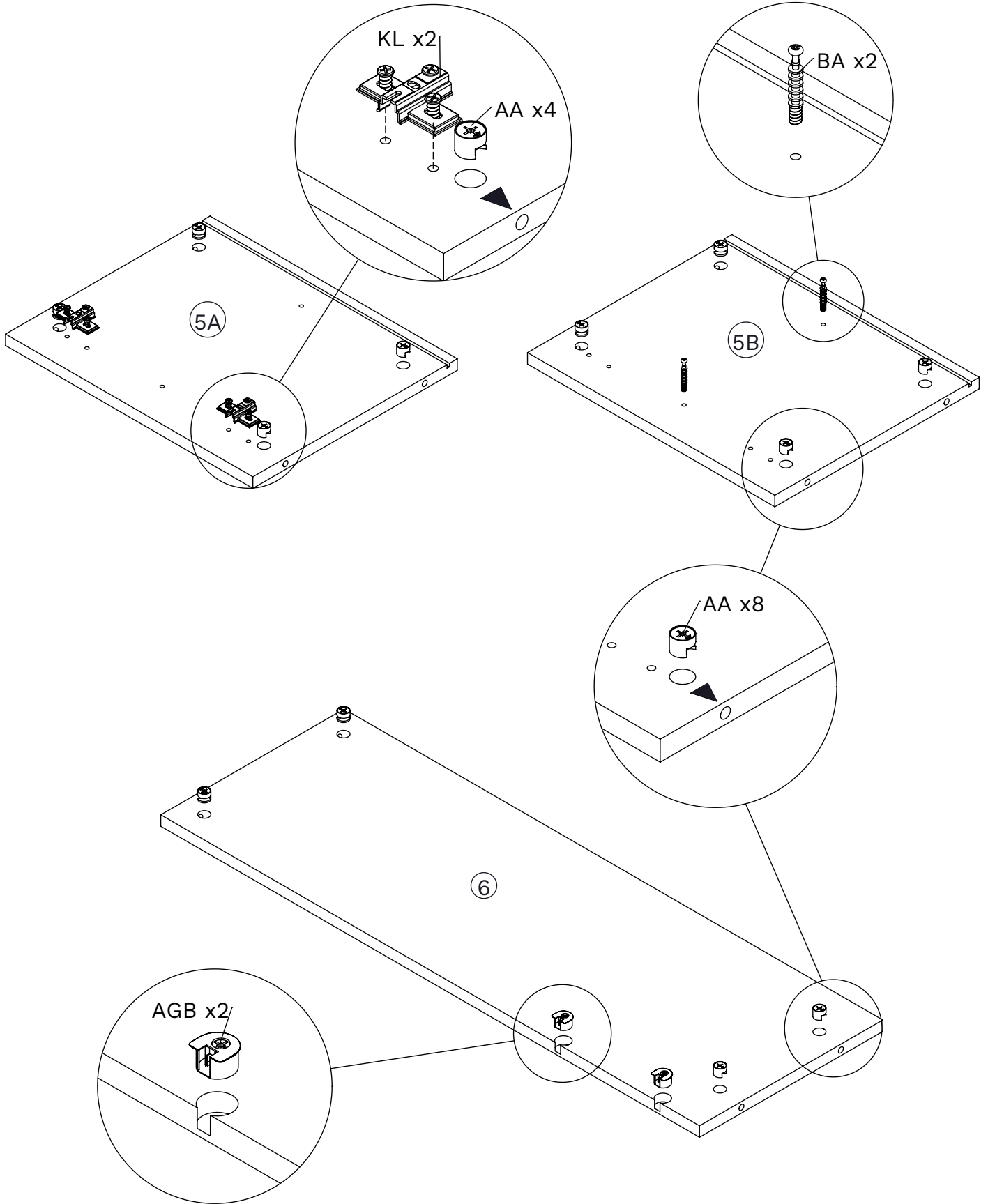
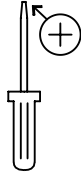
1

AA x12 	BA x6 	AFB x2 
---	--	---



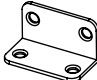



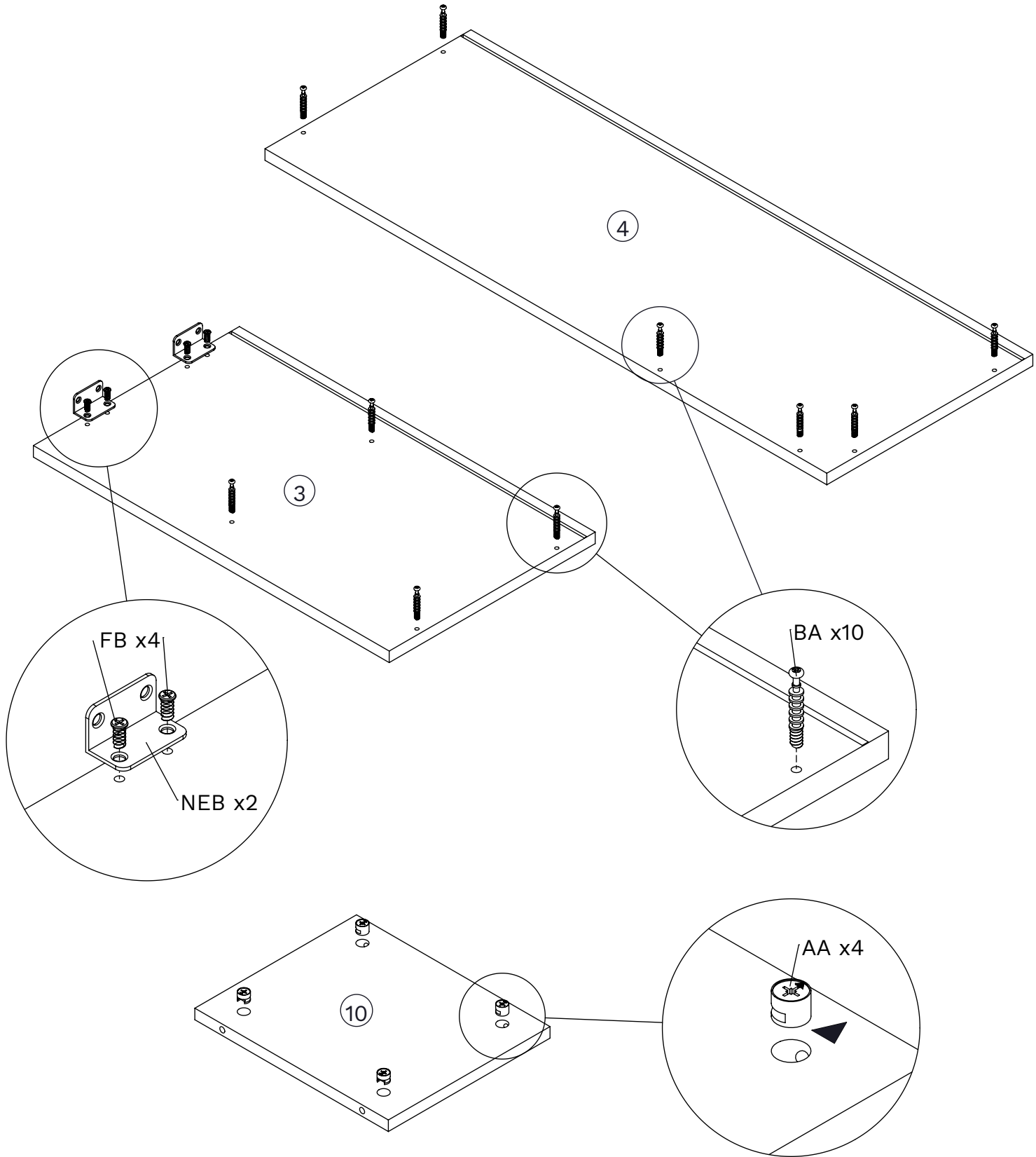
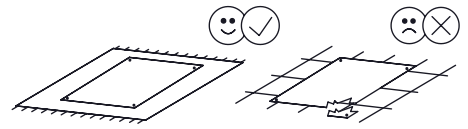
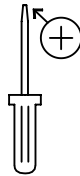
# 2

AA x12	BA x2	AGB x2	KL x2
			



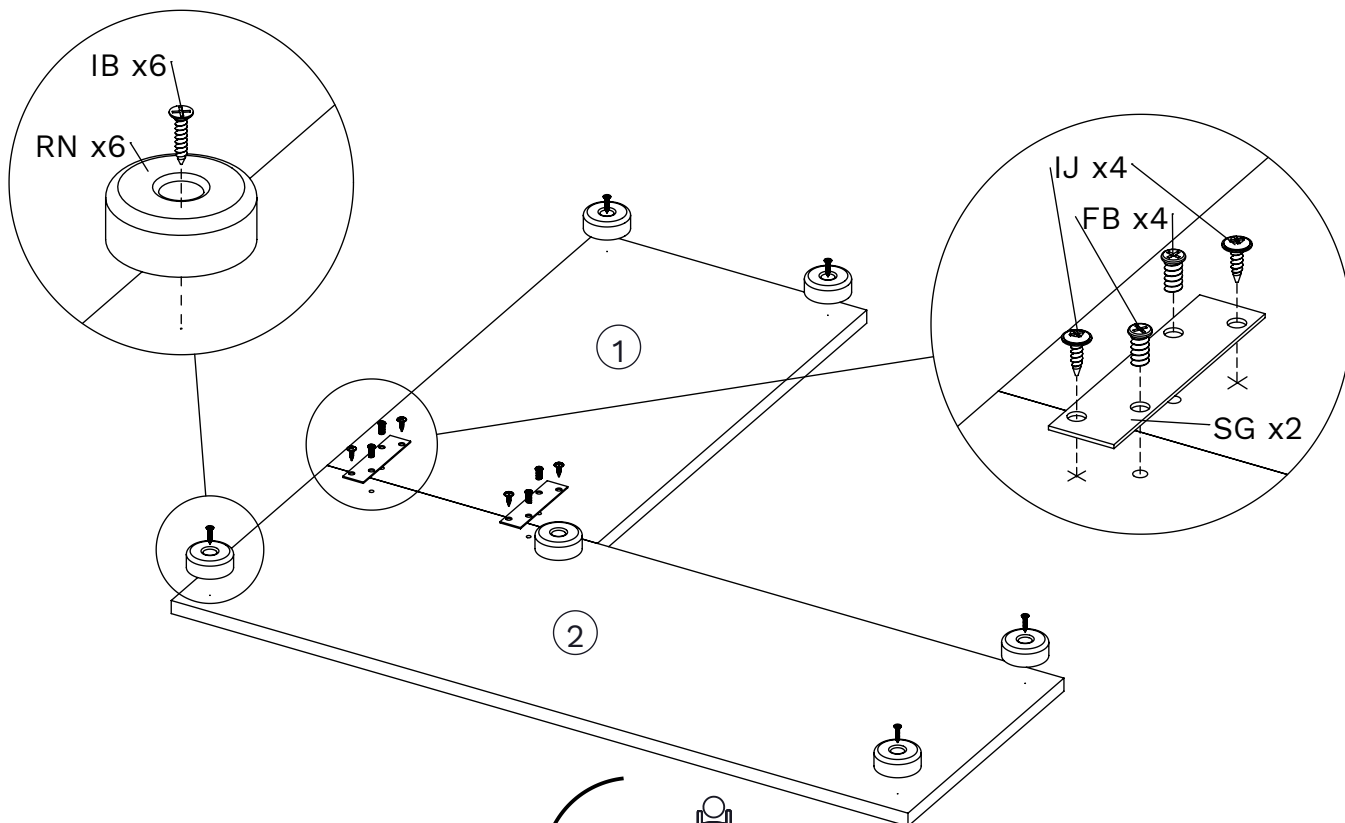
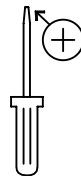
# 3

AA x4	BA x10	NEB x2	FB x4
			
			Ø6,3x11mm



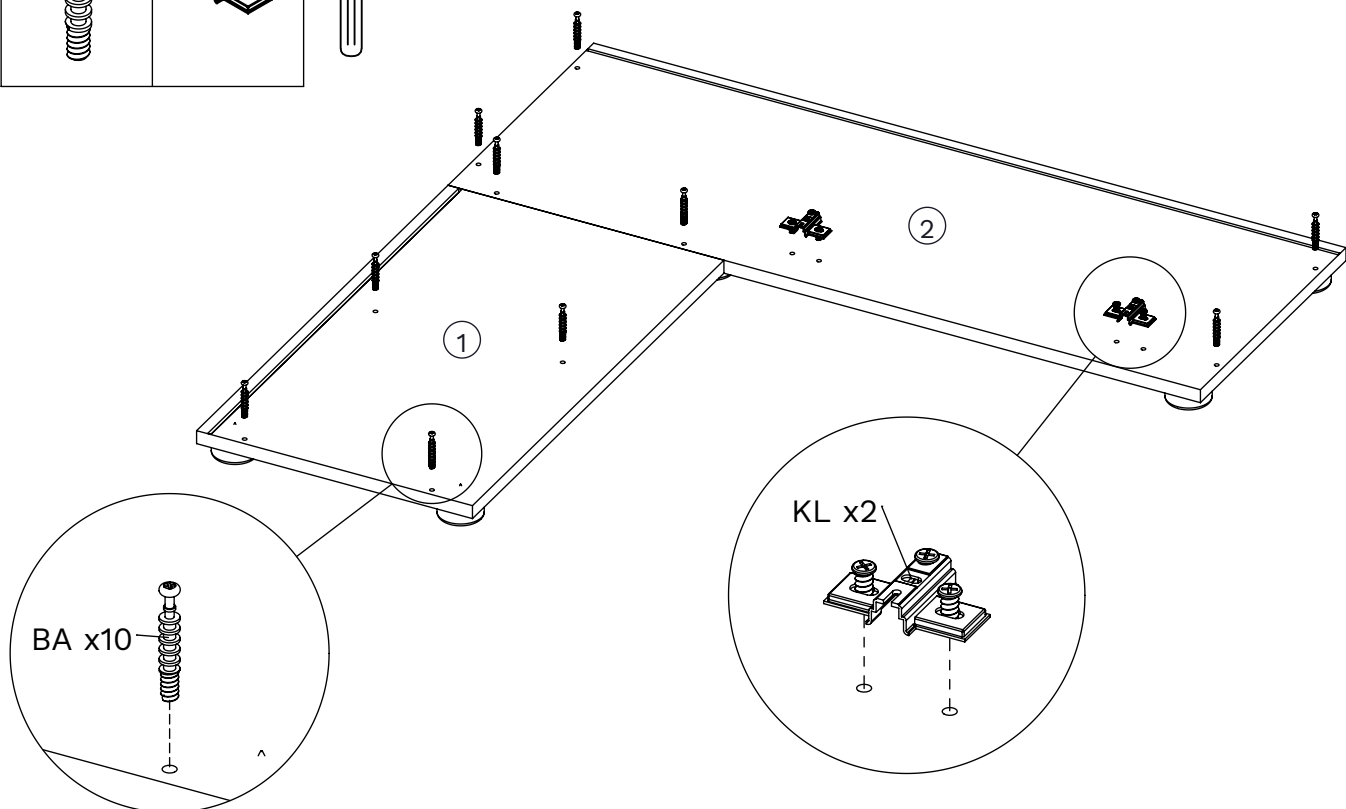
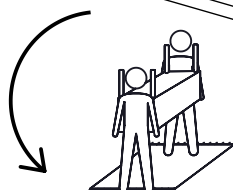
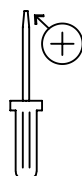
# 4

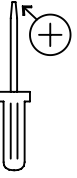
SG x2	FB x4	IJ x4	RN x6	IB x6
	Ø6,3x11mm	Ø4x15mm		Ø4x20mm

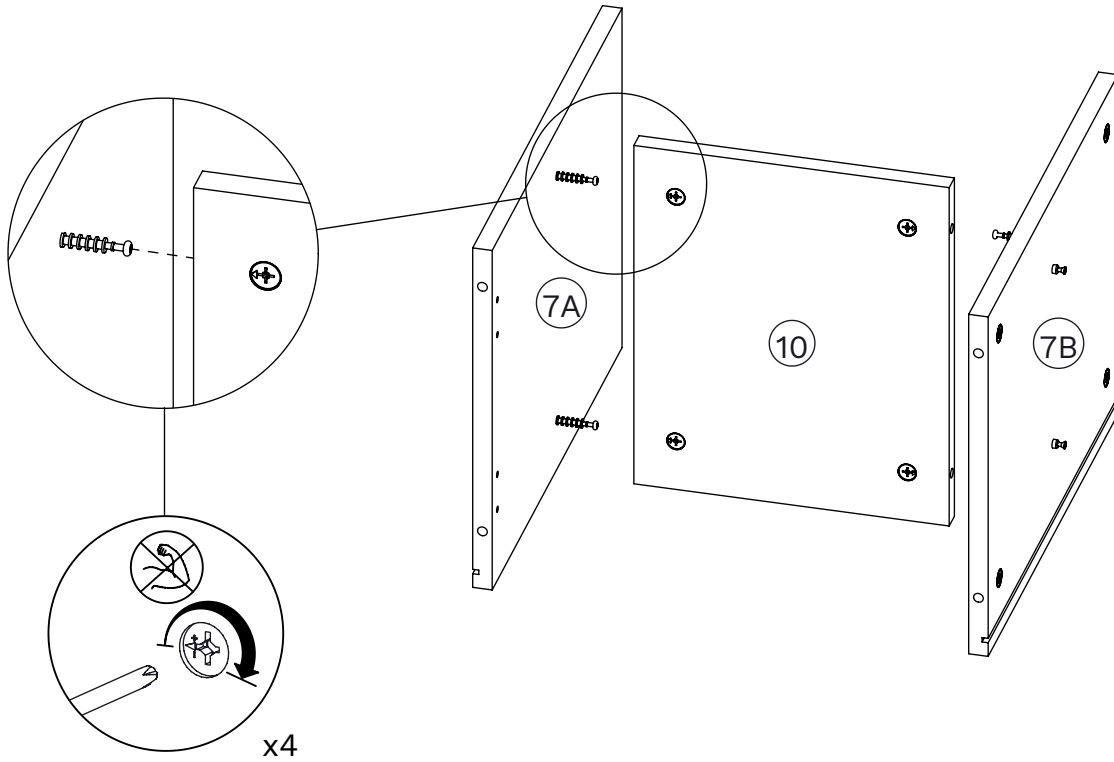
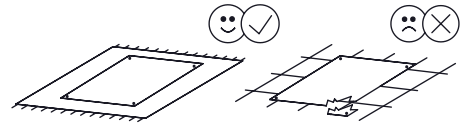


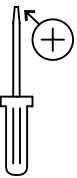
# 5

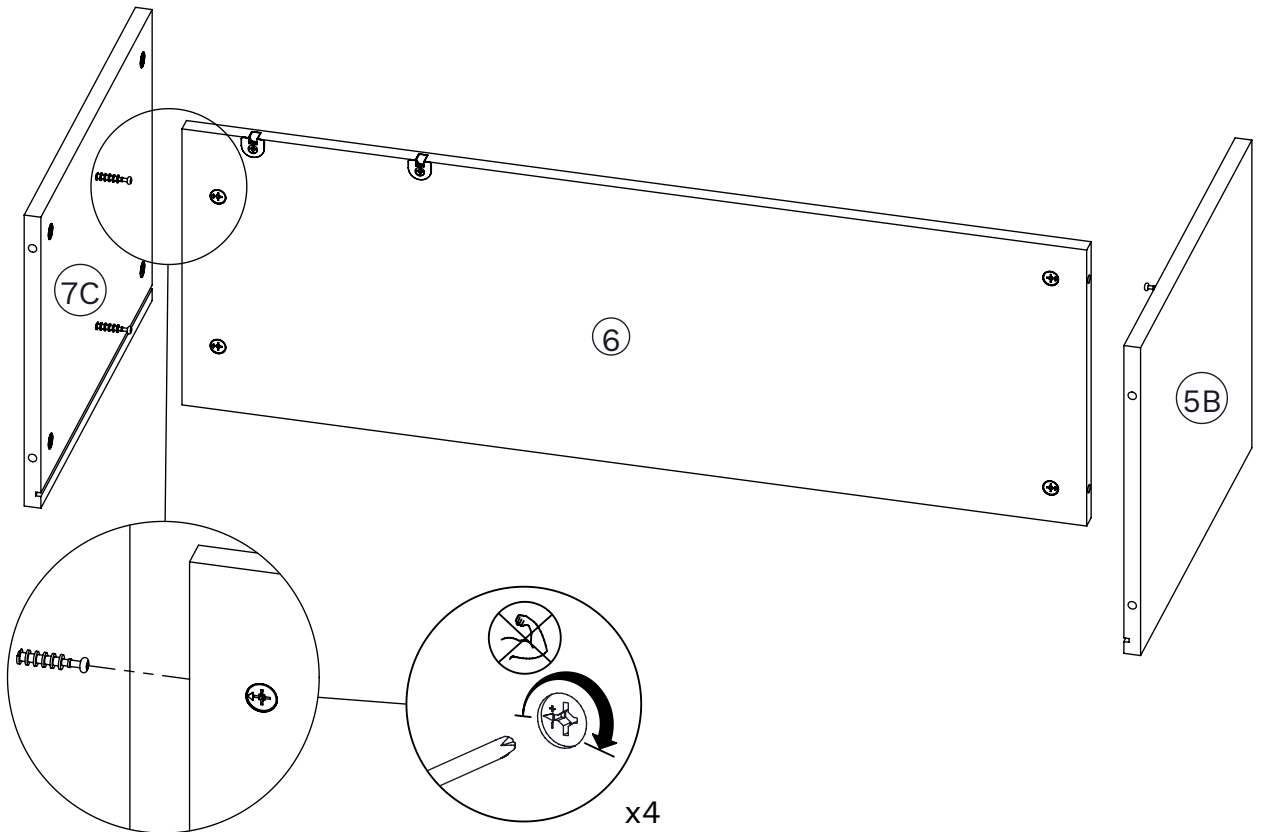
BA x10	KL x2



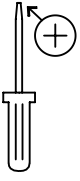
6 

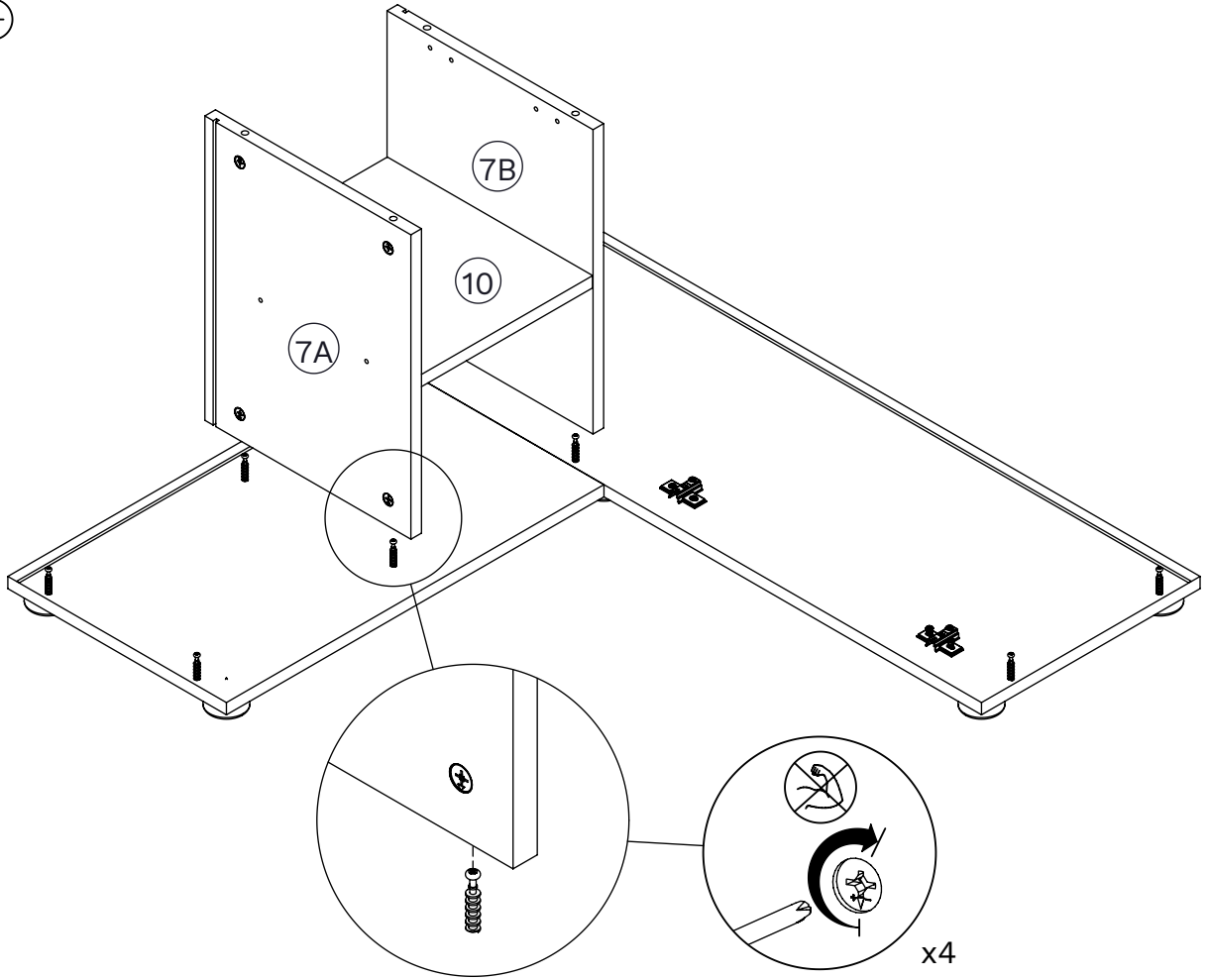


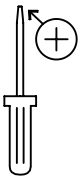
7 

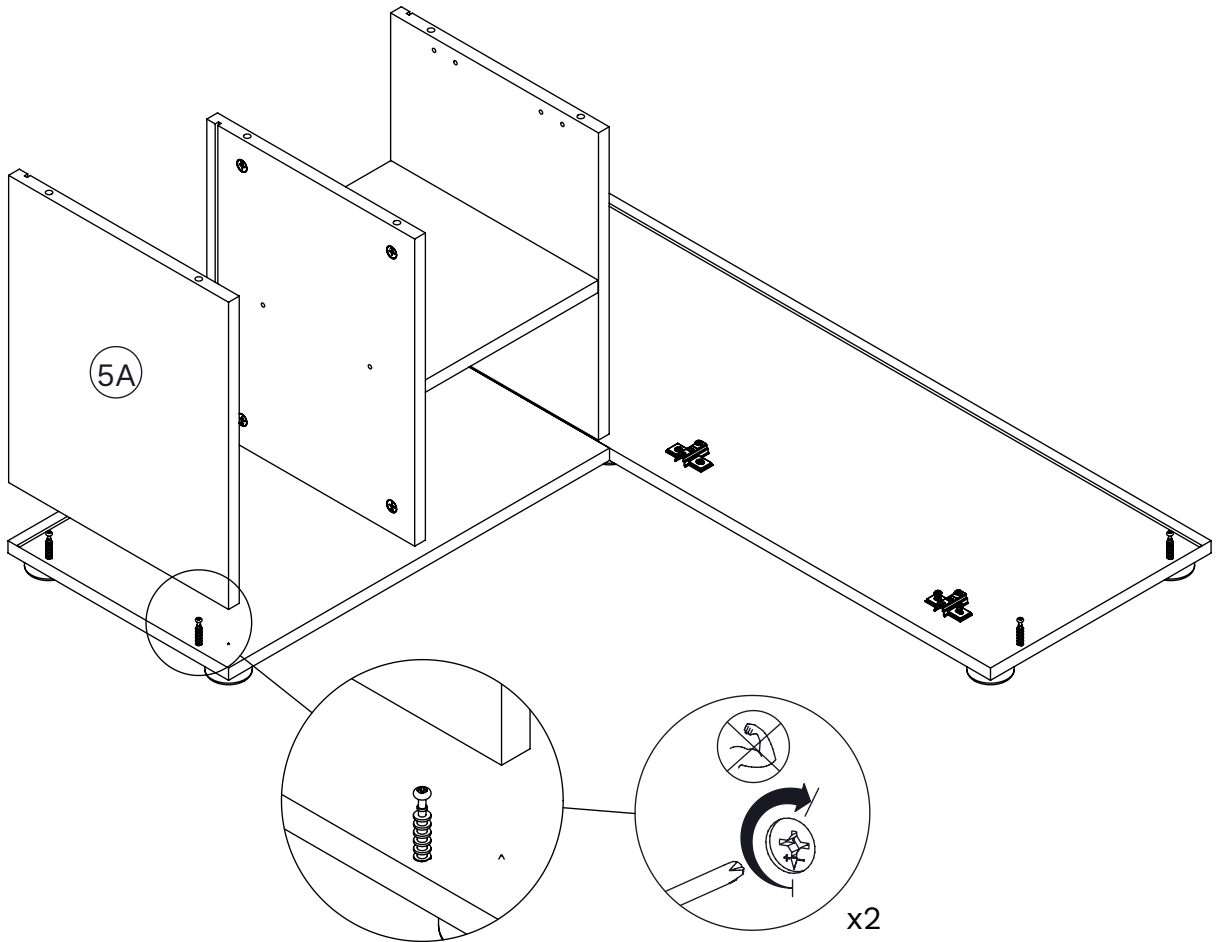




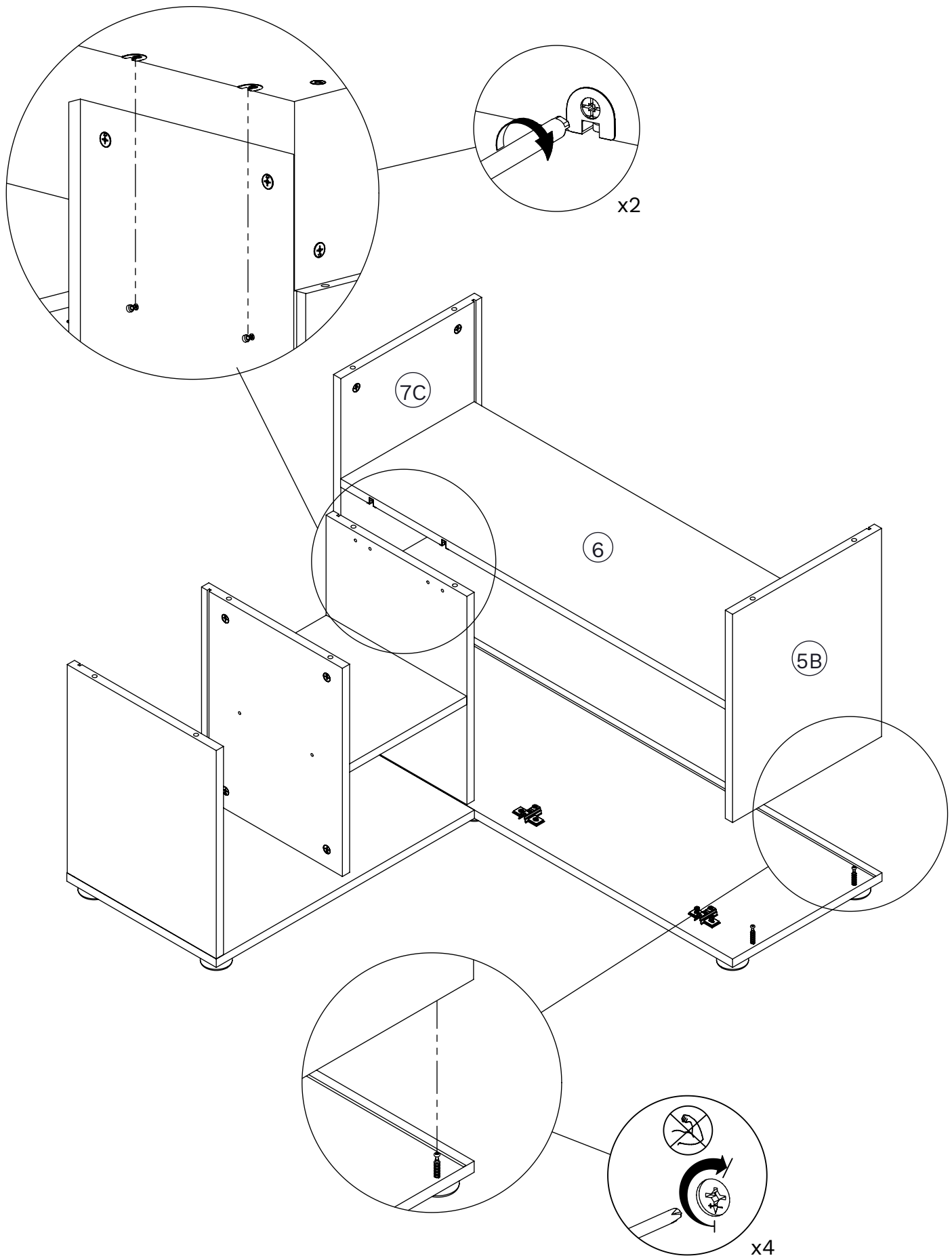
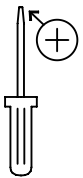
8 



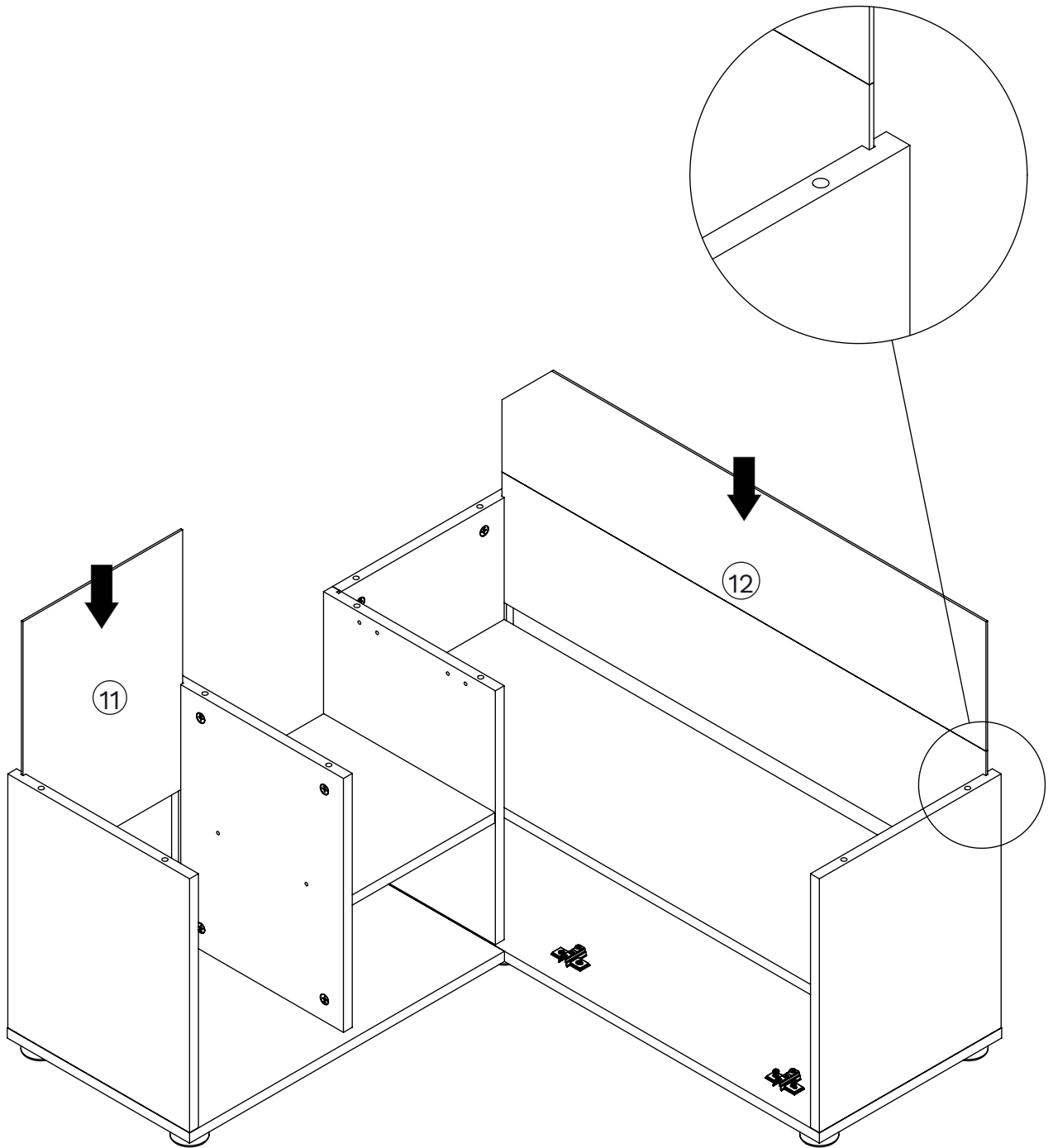
9 



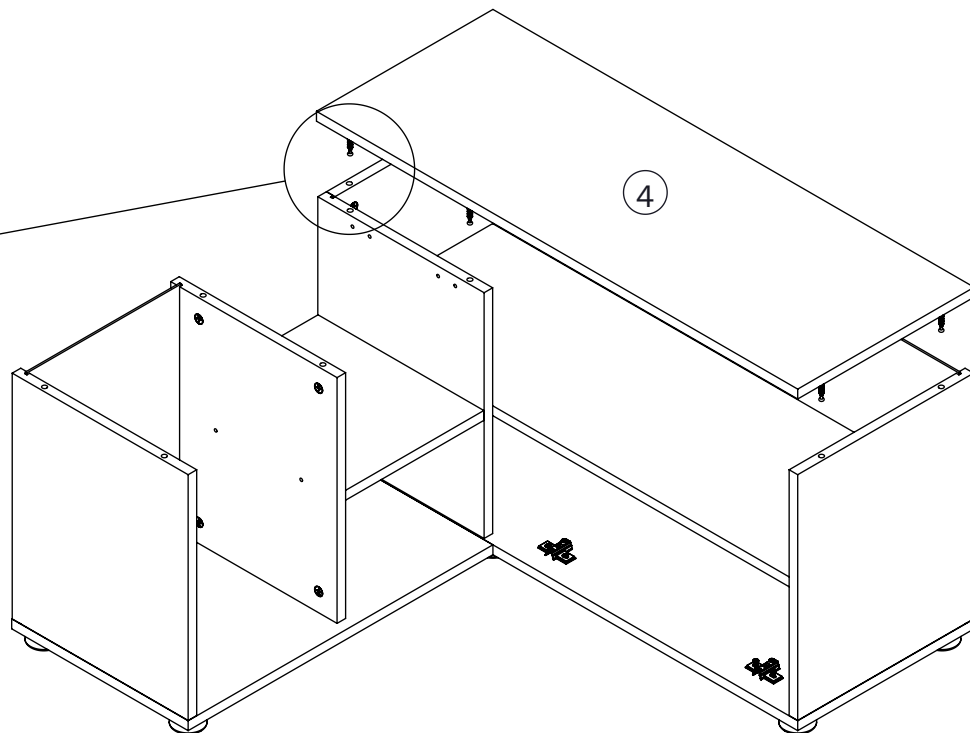
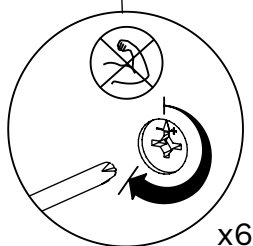
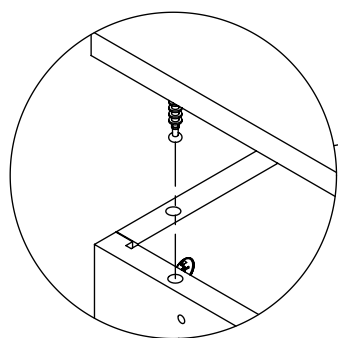
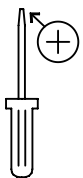
# 10



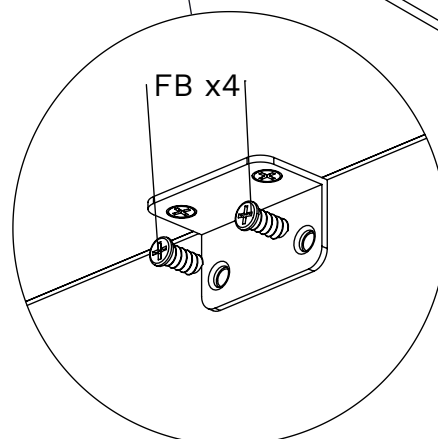
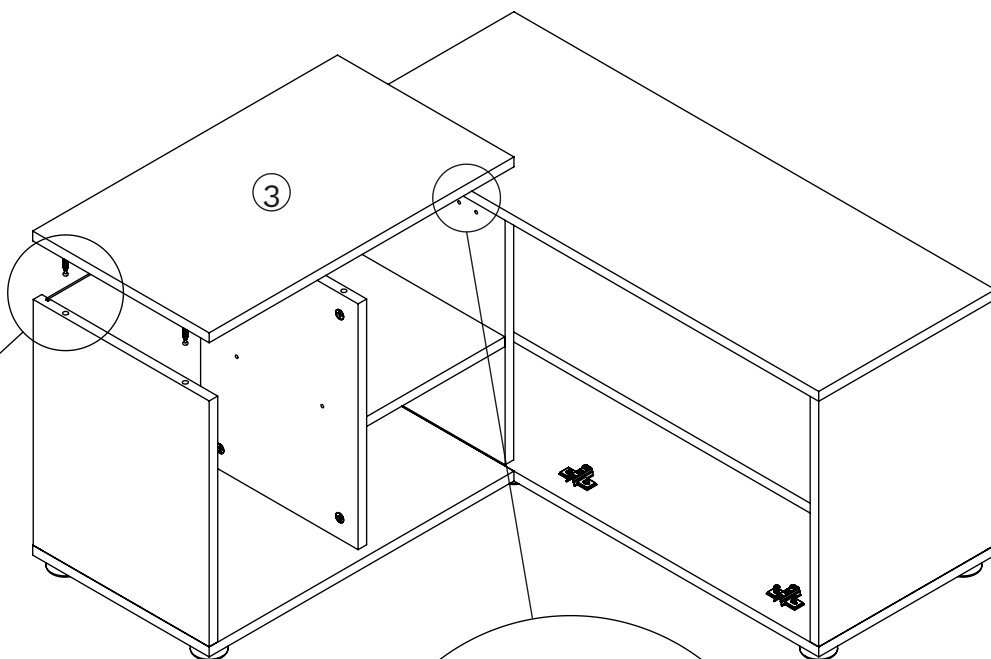
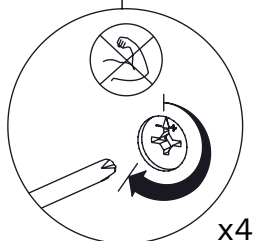
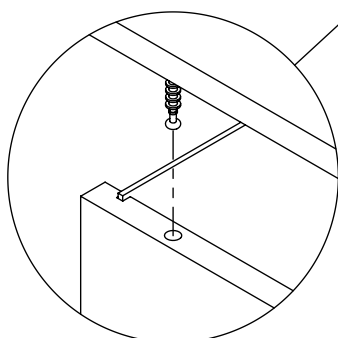
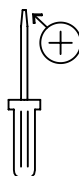
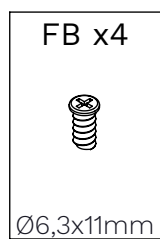
# 11



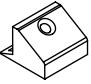

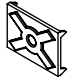
# 12

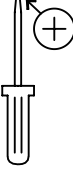


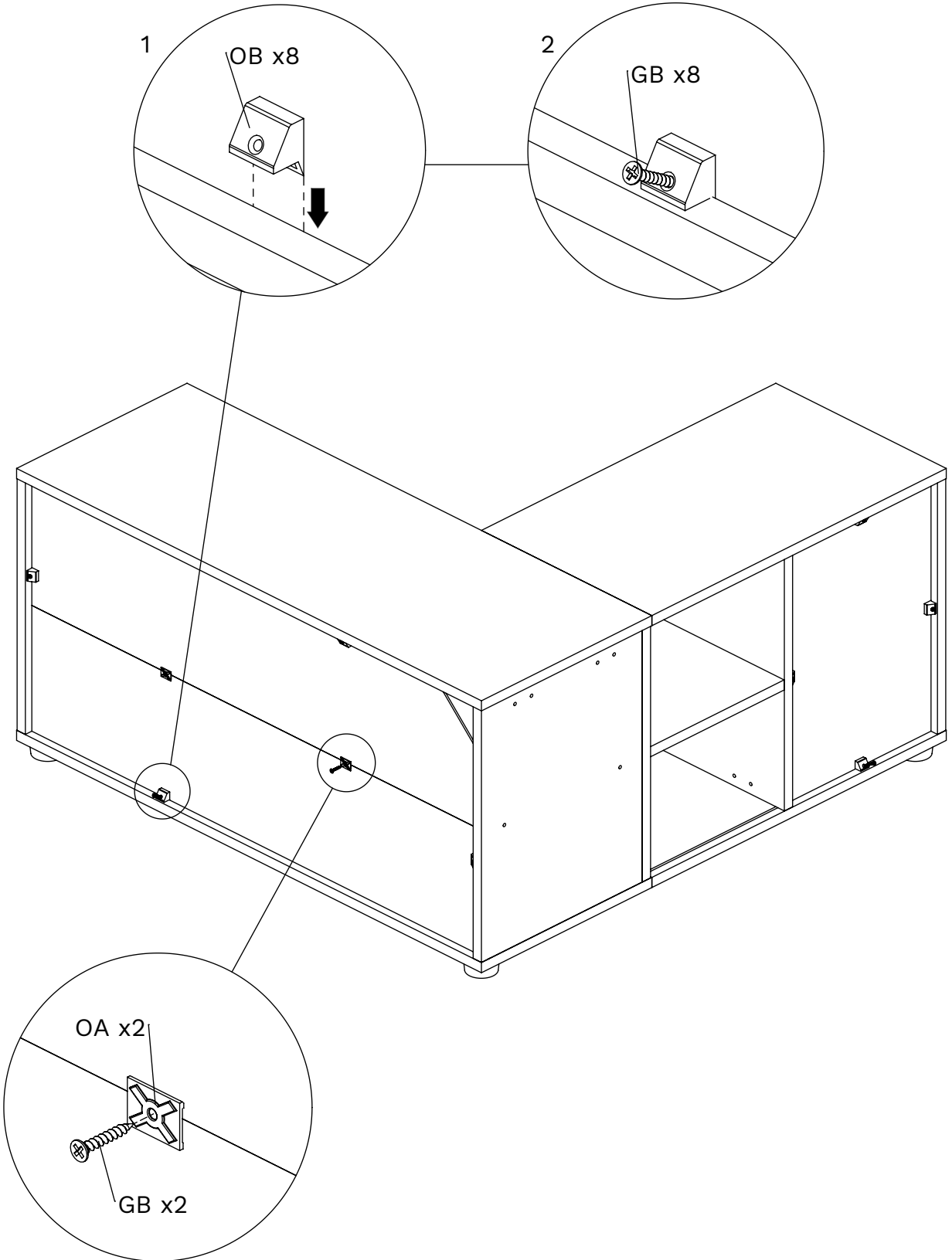
# 13



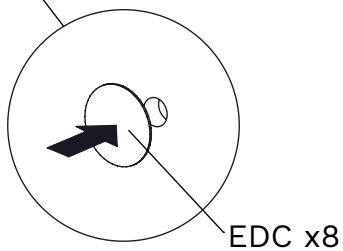
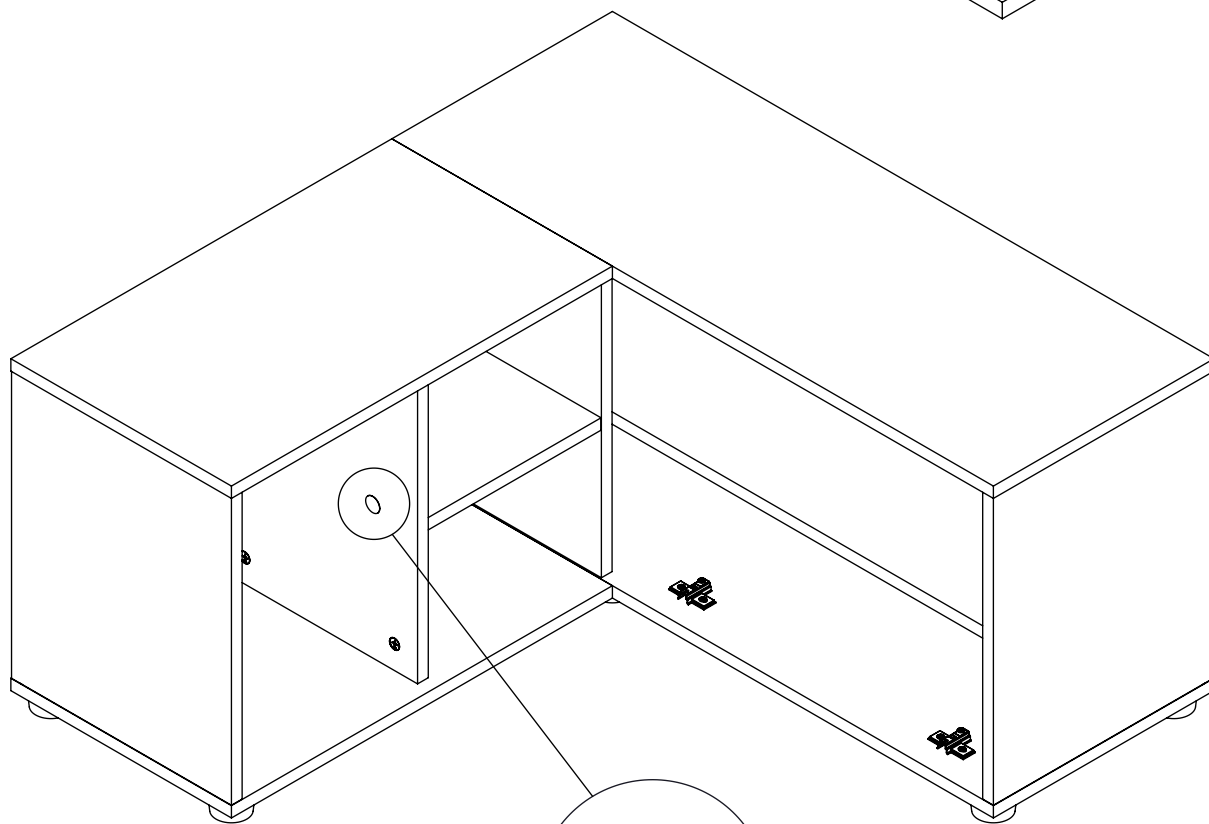
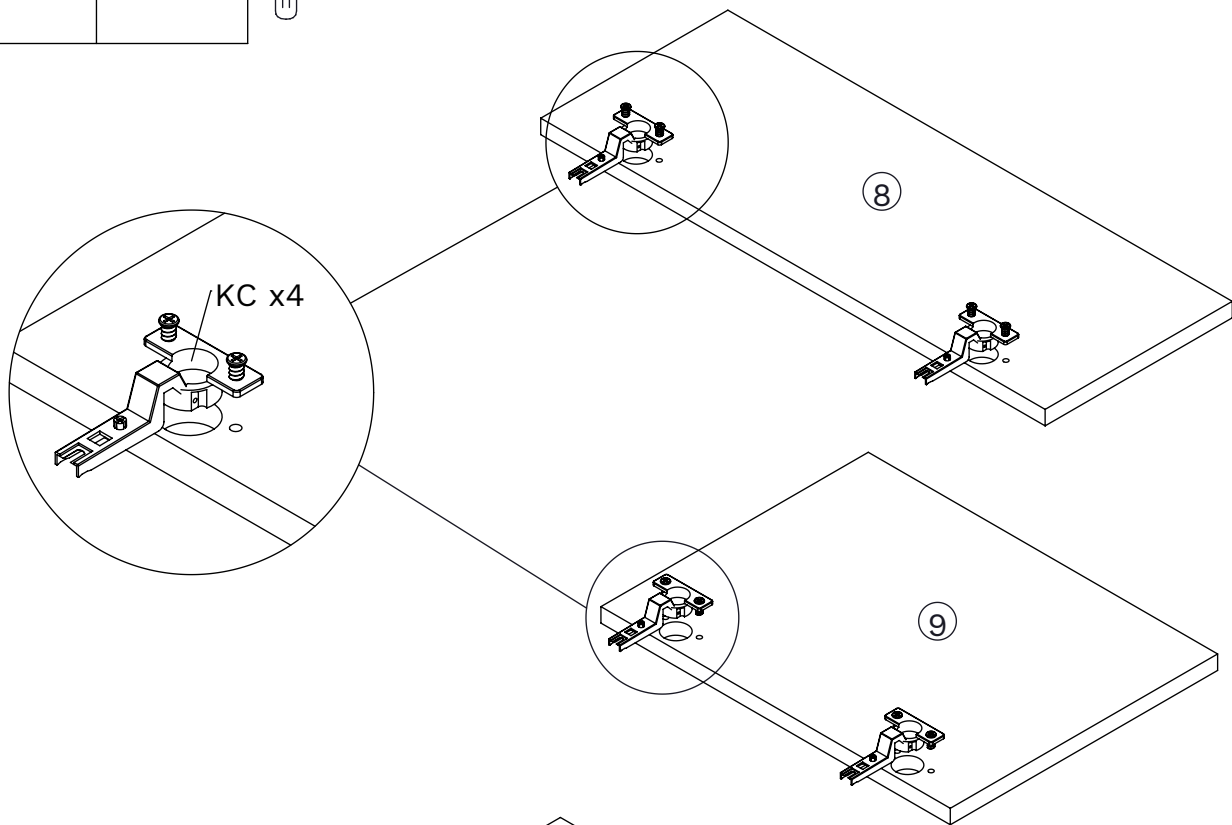
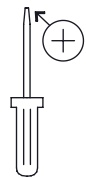
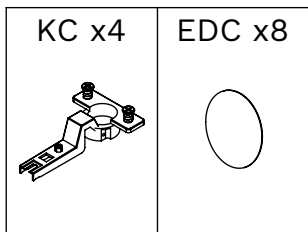
# 14

OB x8 	GB x10  Ø3x20mm	OA x2 
--	--	--





# 15



# 16

