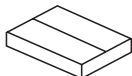


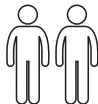
Kave® Cares



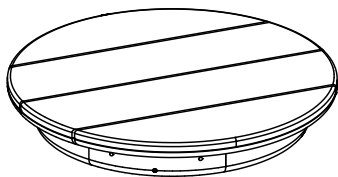
15 min



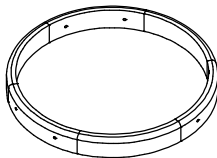
x1



x2



A x1



B x1



C x3



D x9
M8x8mm



E x9
Ø19x2mm



F x6
M6x60mm



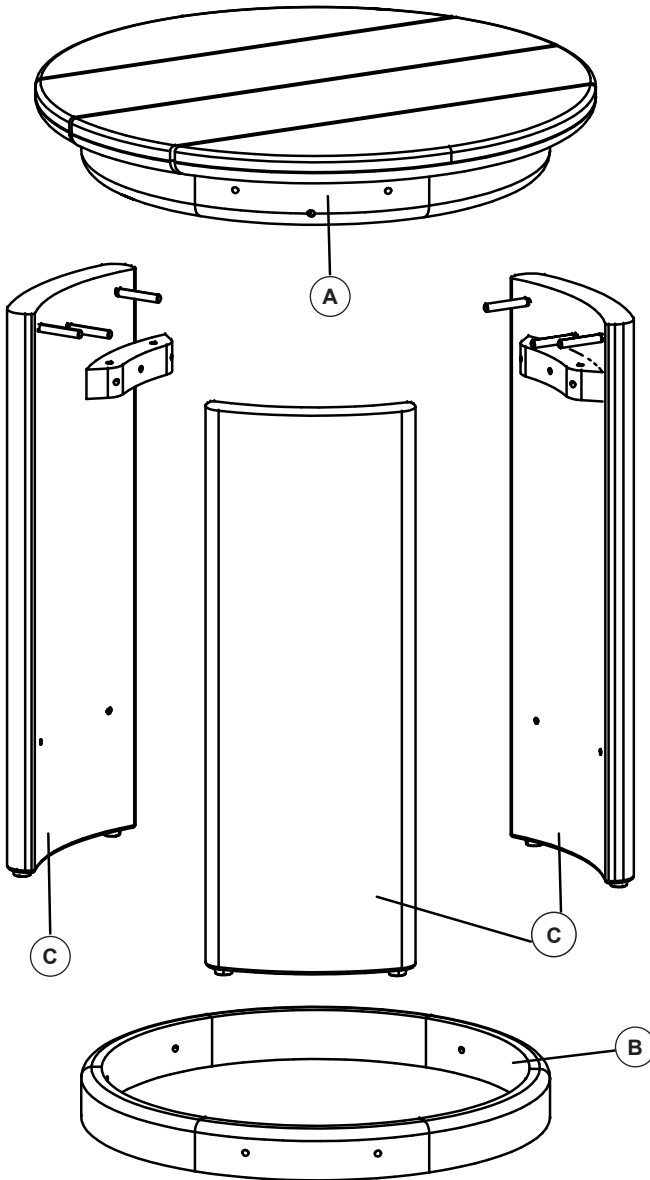
G x6
M6x40mm



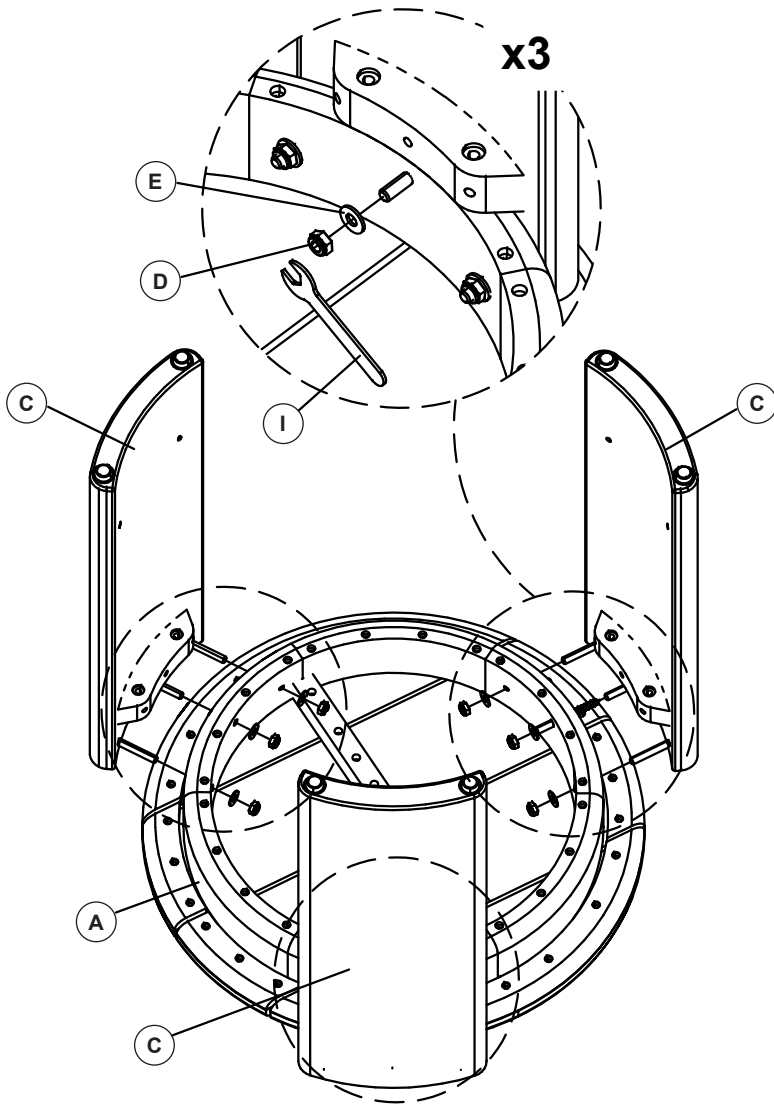
H x1



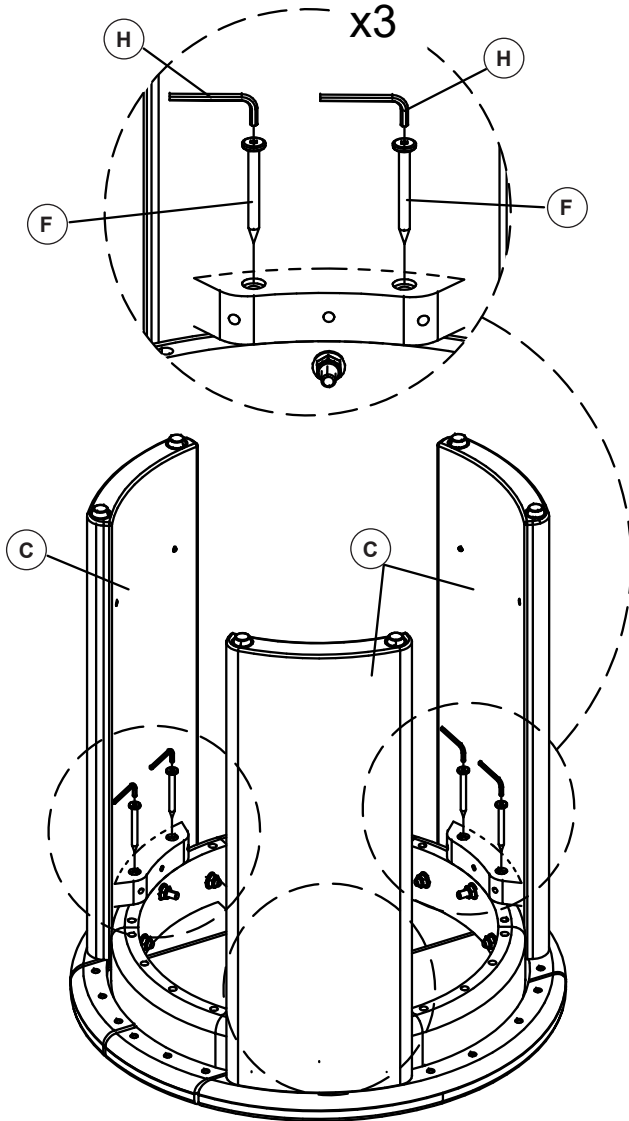
I x1



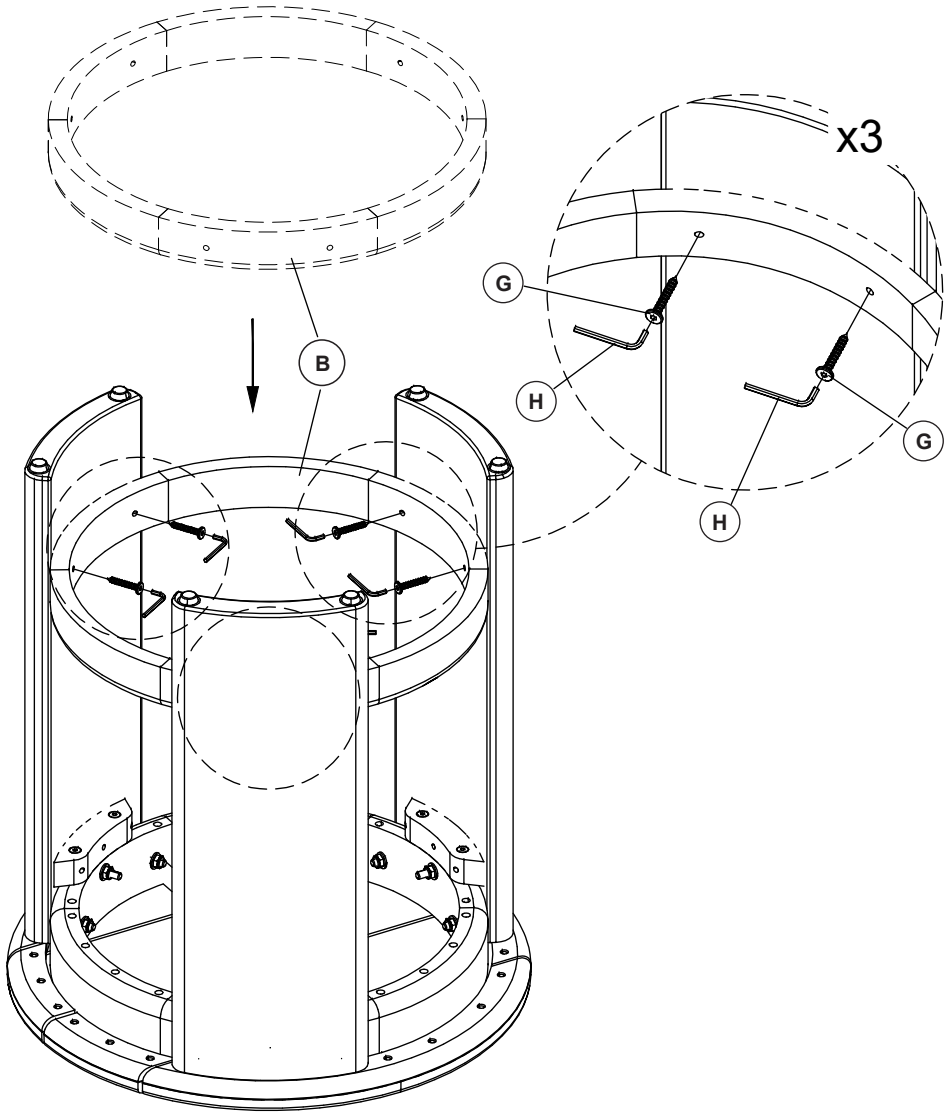
1

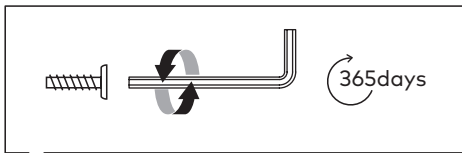
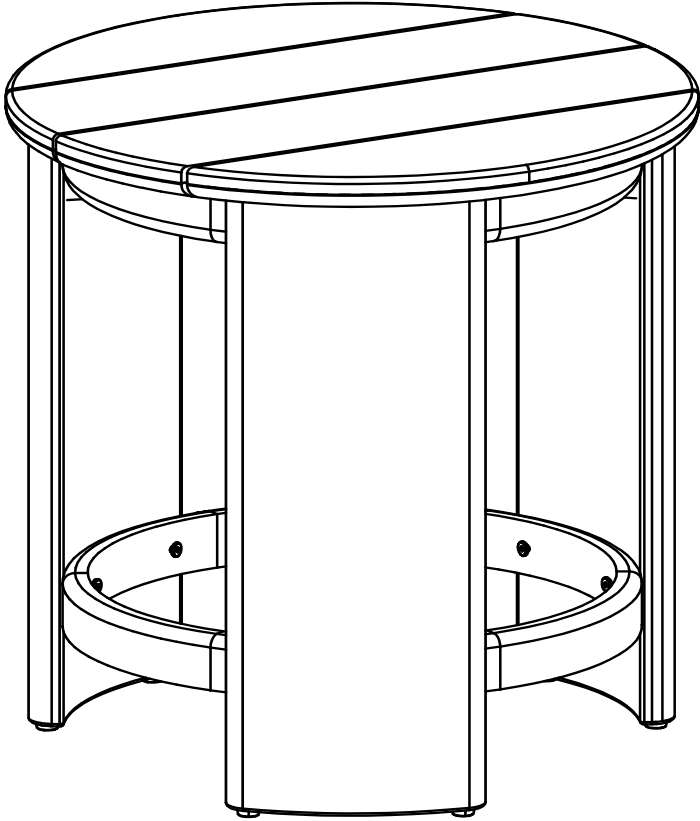


2



3







THAT'S ALL FOLKS

Share your style!

#KaveHome

